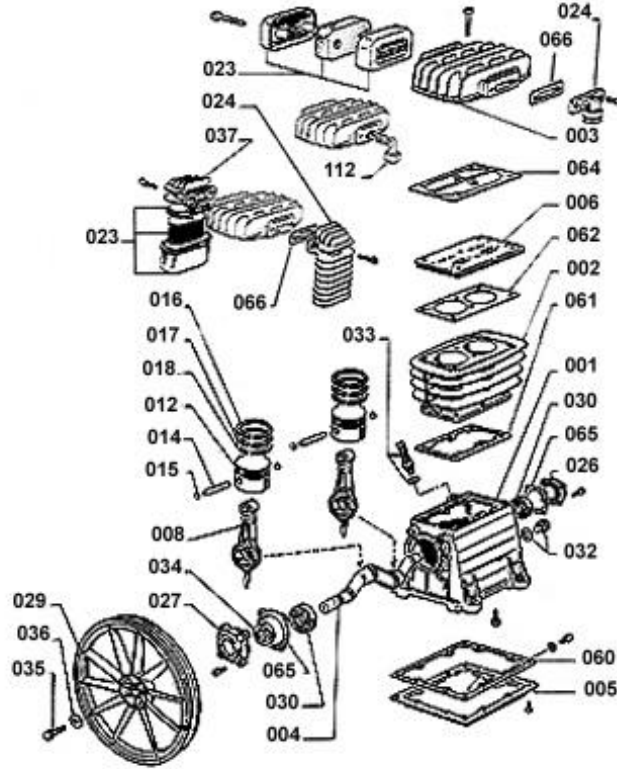
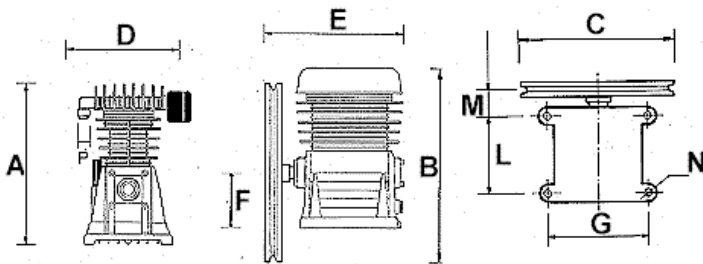


Code: 2800000

NS11 - B 2800



Dimensions:



In mm

| A | B | C | D | E | F | G | L | M | N | P |
|-----|-----|-----|-----|-----|----|-----|-----|----|---|--------|
| 280 | 324 | 280 | 215 | 255 | 97 | 162 | 132 | 76 | 9 | 1/2" F |

Box Weight: 8.5 Kg Box Dimensions: W x D x L: 271 x 286 x 362

Tightening Torques, Cylinder Head:

| | | |
|-------------|-------|----|
| Bolt Size: | M8 | |
| Min Torque: | 22.45 | Nm |
| Max Torque: | 27.43 | Nm |

Technical Data:

| | | | |
|---------------|------|--------|---------|
| Cylinders: | 2 | | |
| Stages: | 1 | | |
| Air Flow: | 254 | L/m in | 9,0 cfm |
| Power: | 1,5 | Kw | 2 HP |
| Speed: | 1250 | rpm | |
| Max Pressure: | 9 | Bar | 131 psi |

Code: 2800000
NS11 - B 2800

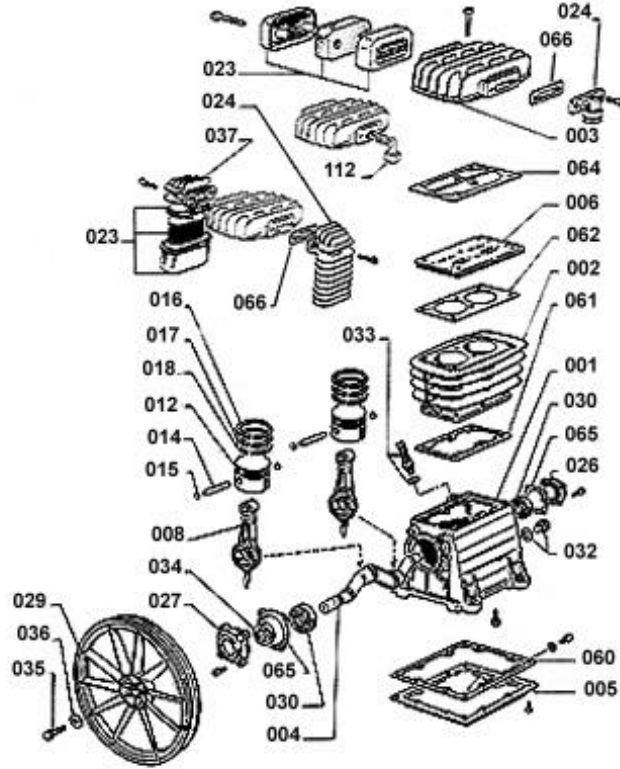


| <i>Svc</i> | <i>Ref</i> | <i>Code</i> | <i>Description</i> | <i>Qty</i> | <i>Modified</i> |
|-------------------------------------|------------|-------------|--------------------|------------|-----------------|
| <input checked="" type="checkbox"/> | 000 | 2850055 | Gasket Kit | 1 | |
| <input type="checkbox"/> | 001 | 2860100 | Crankase | 1 | |
| <input type="checkbox"/> | 002 | 2830000 | Cylinder | 1 | |
| <input type="checkbox"/> | 003 | 2860401 | Pump head | 1 | 29.10.2000 |
| <input type="checkbox"/> | 003 | 3860400 | Pump head | 1 | 28.02.1999 |
| <input type="checkbox"/> | 003 | 2860400 | Pump head | 1 | 28.02.1999 |
| <input type="checkbox"/> | 003 | 3860401 | Pump head | 1 | |
| <input type="checkbox"/> | 004 | 2860200 | Crankshaft | 1 | |
| <input type="checkbox"/> | 005 | 2660160 | Sump base | 1 | |
| <input checked="" type="checkbox"/> | 006 | 2840050 | Valve plate assy. | 1 | |
| <input type="checkbox"/> | 008 | 2810100 | Connecting rod | 2 | |
| <input type="checkbox"/> | 012 | 1421100 | Piston D. Pin D. | 2 | |
| <input type="checkbox"/> | 014 | 3021200 | Pin | 2 | |
| <input type="checkbox"/> | 015 | 9140040 | Circlip | 4 | |
| <input type="checkbox"/> | 016 | 9020011 | Piston ring AC | 2 | |
| <input type="checkbox"/> | 017 | 9020041 | Piston ring ROS | 2 | |
| <input type="checkbox"/> | 018 | 9020071 | Piston ring ROF | 2 | |
| <input type="checkbox"/> | 023 | 2281000 | Filter | 1 | 29.10.2000 |
| <input checked="" type="checkbox"/> | 023 | 2881000 | Filter | 1 | |
| <input type="checkbox"/> | 024 | 2670100 | Aftercooler | 1 | 28.02.1999 |
| <input type="checkbox"/> | 026 | 2060690 | Cover N.D.E. | 1 | |
| <input type="checkbox"/> | 027 | 2060590 | Cover D.E. | 1 | |
| <input type="checkbox"/> | 029 | 2600100 | Flyw heel | 1 | |
| <input type="checkbox"/> | 030 | 9170030 | Bearing | 2 | |
| <input type="checkbox"/> | 032 | 9022001 | Oil sight glass | 1 | |
| <input type="checkbox"/> | 033 | 9024003 | Oil fill plug | 1 | 31.10.1998 |
| <input type="checkbox"/> | 033 | 9024021 | Oil fill plug | 1 | 31.05.2001 |
| <input type="checkbox"/> | 033 | 9024029 | Oil fill plug | 1 | |
| <input type="checkbox"/> | 034 | 9163010 | Oil seal | 1 | |
| <input type="checkbox"/> | 035 | 9110014 | Screw | 1 | |
| <input type="checkbox"/> | 036 | 9004008 | Fly w heel w asher | 1 | |

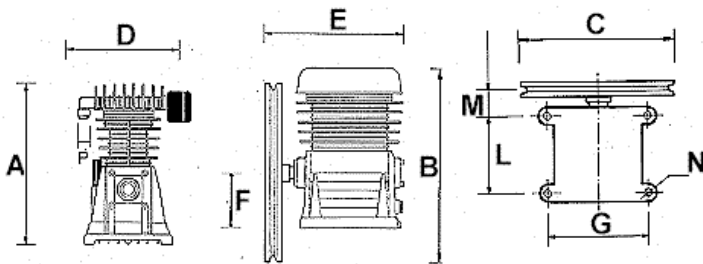
Svc = Service Item

Code: 280000B

NS11B - B 2800B



Dimensions:



In mm

| A | B | C | D | E | F | G | L | M | N | P |
|-----|-----|-----|-----|-----|----|-----|-----|----|---|--------|
| 280 | 324 | 280 | 235 | 255 | 97 | 162 | 132 | 76 | 9 | 3/4" F |

Box Weight: 8.5 Kg Box Dimensions: W x D x L: 271 x 286 x 362

Tightening Torques, Cylinder Head:

| | | |
|-------------|-------|----|
| Bolt Size: | M8 | |
| Min Torque: | 22.45 | Nm |
| Max Torque: | 27.43 | Nm |

Technical Data:

| | | | |
|---------------|------|--------|----------|
| Cylinders: | 2 | | |
| Stages: | 1 | | |
| Air Flow: | 320 | L/m in | 11,3 cfm |
| Power: | 2,2 | Kw | 3 HP |
| Speed: | 1570 | rpm | |
| Max Pressure: | 9 | Bar | 131 psi |

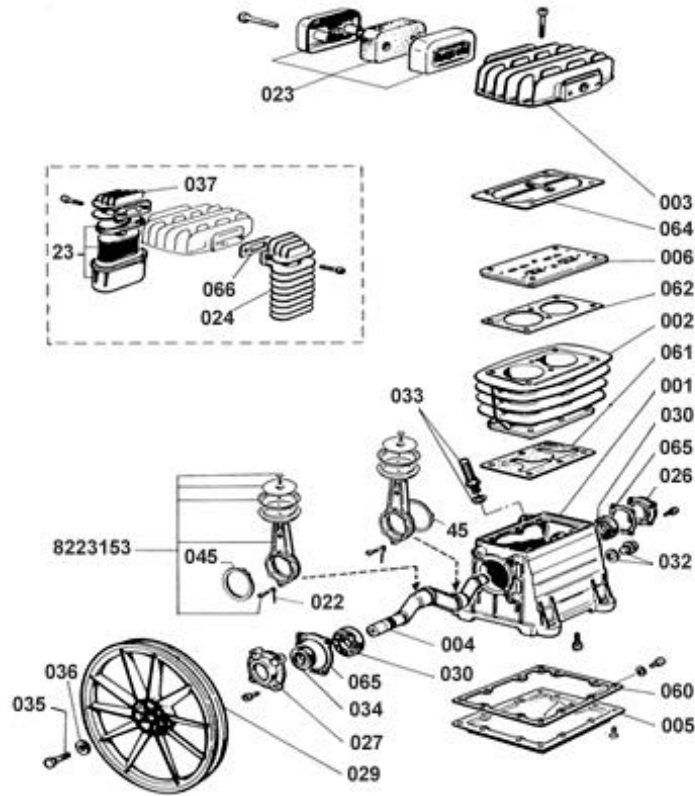
Code:**280000B****NS11B - B 2800B**

| <i>Svc</i> | <i>Ref</i> | <i>Code</i> | <i>Description</i> | <i>Qty</i> | <i>Modified</i> |
|-------------------------------------|------------|-------------|--------------------|------------|-----------------|
| <input checked="" type="checkbox"/> | 000 | 2850055 | Gasket Kit | 1 | |
| <input type="checkbox"/> | 001 | 2860100 | Crankase | 1 | |
| <input type="checkbox"/> | 002 | 2830000 | Cylinder | 1 | |
| <input type="checkbox"/> | 003 | 2860400 | Pump head | 1 | 29.10.2000 |
| <input type="checkbox"/> | 003 | 3860400 | Pump head | 1 | |
| <input type="checkbox"/> | 004 | 2860200 | Crankshaft | 1 | |
| <input type="checkbox"/> | 005 | 2660160 | Sump base | 1 | |
| <input checked="" type="checkbox"/> | 006 | 2840050 | Valve plate assy. | 1 | |
| <input type="checkbox"/> | 008 | 2810100 | Connecting rod | 2 | |
| <input type="checkbox"/> | 012 | 1421100 | Piston D. Pin D. | 2 | |
| <input type="checkbox"/> | 014 | 3021200 | Pin | 2 | |
| <input type="checkbox"/> | 015 | 9140040 | Circlip | 4 | |
| <input type="checkbox"/> | 016 | 9020011 | Piston ring AC | 2 | |
| <input type="checkbox"/> | 017 | 9020041 | Piston ring ROS | 2 | |
| <input type="checkbox"/> | 018 | 9020071 | Piston ring ROF | 2 | |
| <input checked="" type="checkbox"/> | 023 | 2881000 | Filter | 1 | |
| <input type="checkbox"/> | 023 | 2281000 | Filter | 1 | 29.10.2000 |
| <input type="checkbox"/> | 024 | 1070100 | Aftercooler | 1 | 01.04.2001 |
| <input type="checkbox"/> | 024 | 2870100 | Aftercooler | 1 | |
| <input type="checkbox"/> | 026 | 2060690 | Cover N.D.E. | 1 | |
| <input type="checkbox"/> | 027 | 2060590 | Cover D.E. | 1 | |
| <input type="checkbox"/> | 029 | 2600100 | Flyw heel | 1 | |
| <input type="checkbox"/> | 030 | 9170030 | Bearing | 2 | |
| <input type="checkbox"/> | 032 | 9022001 | Oil sight glass | 1 | |
| <input type="checkbox"/> | 033 | 9024029 | Oil fill plug | 1 | |
| <input type="checkbox"/> | 033 | 9024003 | Oil fill plug | 1 | 31.10.1998 |
| <input type="checkbox"/> | 033 | 9024021 | Oil fill plug | 1 | 31.05.2001 |
| <input type="checkbox"/> | 034 | 9163010 | Oil seal | 1 | |
| <input type="checkbox"/> | 035 | 9110014 | Screw | 1 | |
| <input type="checkbox"/> | 036 | 9004008 | Fly w heel w asher | 1 | |

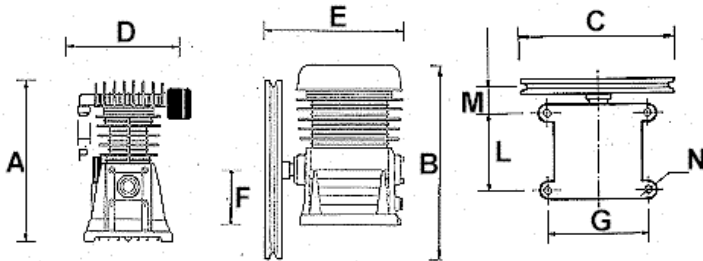
Svc = Service Item

Code: **2R00000**

B 2800 IBR



Dimensions:



In mm

| A | B | C | D | E | F | G | L | M | N | P |
|-----|-----|-----|-----|-----|----|-----|-----|----|---|--------|
| 280 | 324 | 280 | 235 | 255 | 97 | 162 | 132 | 76 | 9 | 1/2" F |

Box Weight: Kg Box Dimensions: W x D x L: x x

Tightening Torques, Cylinder Head:

| | | |
|-------------|------------------------------------|----|
| Bolt Size: | <input type="text" value="M8"/> | |
| MinTorque: | <input type="text" value="22.45"/> | Nm |
| Max Torque: | <input type="text" value="27.43"/> | Nm |

Technical Data:

| | | | |
|---------------|-----------------------------------|--------|--------------------------------------|
| Cylinders: | <input type="text" value="2"/> | | |
| Stages: | <input type="text" value="1"/> | | |
| Air Flow: | <input type="text" value="245"/> | L/m in | <input type="text" value="8,7"/> cfm |
| Power: | <input type="text" value="1,5"/> | Kw | <input type="text" value="2"/> HP |
| Speed: | <input type="text" value="1250"/> | rpm | |
| Max Pressure: | <input type="text" value="9"/> | Bar | <input type="text" value="131"/> psi |

Code:

2R00000



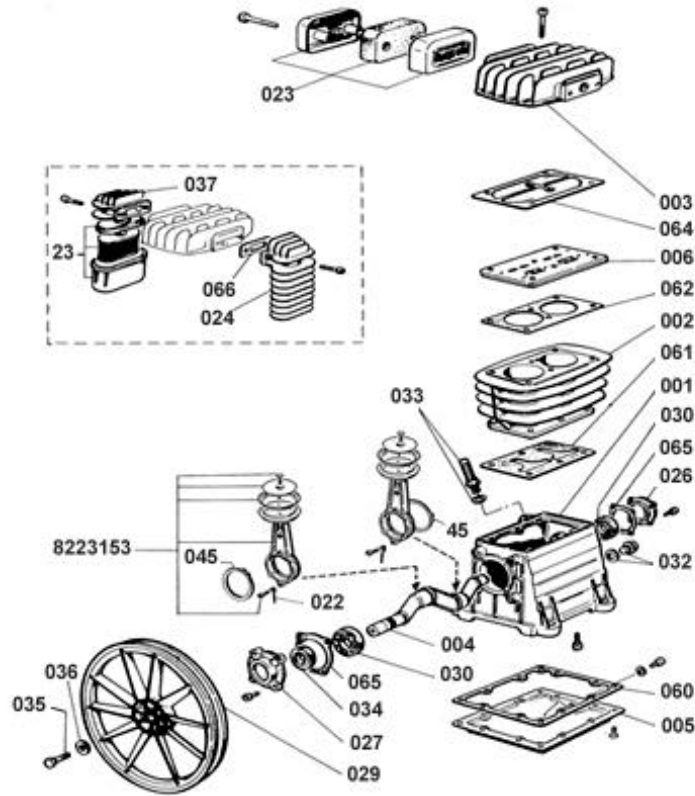
B 2800 IBR

| <i>Svc</i> | <i>Ref</i> | <i>Code</i> | <i>Description</i> | <i>Qty</i> | <i>Modified</i> |
|-------------------------------------|------------|-------------|--------------------|------------|-----------------|
| <input checked="" type="checkbox"/> | 000 | 2R50055 | Gasket Kit | 1 | |
| <input type="checkbox"/> | 001 | 2860100 | Crankase | 1 | |
| <input type="checkbox"/> | 002 | 2R30000 | Cylinder | 1 | |
| <input type="checkbox"/> | 003 | 2860401 | Pump head | 1 | 29.10.2000 |
| <input type="checkbox"/> | 003 | 3860401 | Pump head | 1 | |
| <input type="checkbox"/> | 004 | 2R60200 | Crankshaft | 1 | |
| <input type="checkbox"/> | 005 | 2660160 | Sump base | 1 | |
| <input checked="" type="checkbox"/> | 006 | 2840050 | Valve plate assy. | 1 | |
| <input type="checkbox"/> | 022 | 9014011 | Oil dipper | 2 | |
| <input checked="" type="checkbox"/> | 023 | 2881000 | Filter | 1 | |
| <input type="checkbox"/> | 023 | 2281000 | Filter | 1 | 29.10.2000 |
| <input type="checkbox"/> | 026 | 2060690 | Cover N.D.E. | 1 | |
| <input type="checkbox"/> | 027 | 2060590 | Cover D.E. | 1 | |
| <input type="checkbox"/> | 029 | 2600100 | Fly wheel | 1 | |
| <input type="checkbox"/> | 030 | 9170030 | Bearing | 2 | |
| <input type="checkbox"/> | 032 | 9022005 | Oil sight glass | 1 | |
| <input type="checkbox"/> | 033 | 9024021 | Oil fill plug | 1 | 31.05.2001 |
| <input type="checkbox"/> | 033 | 9024029 | Oil fill plug | 1 | |
| <input type="checkbox"/> | 034 | 9163010 | Oil seal | 1 | |
| <input type="checkbox"/> | 035 | 9110014 | Screw | 1 | |
| <input type="checkbox"/> | 036 | 9004008 | Fly wheel washer | 1 | |
| <input type="checkbox"/> | 045 | 9140190 | Circlip | 2 | 14.07.2000 |

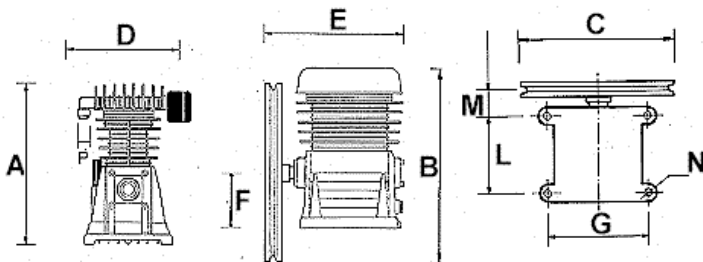
Svc = Service Item

Code: **2R0000B**

B 2800B IBR



Dimensions:



In mm

| A | B | C | D | E | F | G | L | M | N | P |
|-----|-----|-----|-----|-----|----|-----|-----|----|---|--------|
| 280 | 324 | 280 | 235 | 255 | 97 | 162 | 132 | 76 | 9 | 3/4" F |

Box Weight: Kg Box Dimensions: W x D x L: x x

Tightening Torques, Cylinder Head:

| | | |
|-------------|------------------------------------|----|
| Bolt Size: | <input type="text" value="M8"/> | |
| Min Torque: | <input type="text" value="22.45"/> | Nm |
| Max Torque: | <input type="text" value="27.43"/> | Nm |

Technical Data:

| | | | |
|---------------|-----------------------------------|--------|--------------------------------------|
| Cylinders: | <input type="text" value="2"/> | | |
| Stages: | <input type="text" value="1"/> | | |
| Air Flow: | <input type="text" value="270"/> | L/m in | <input type="text" value="9,5"/> cfm |
| Power: | <input type="text" value="2,2"/> | Kw | <input type="text" value="3"/> HP |
| Speed: | <input type="text" value="1570"/> | rpm | |
| Max Pressure: | <input type="text" value="9"/> | Bar | <input type="text" value="131"/> psi |

| <i>Svc</i> | <i>Ref</i> | <i>Code</i> | <i>Description</i> | <i>Qty</i> | <i>Modified</i> |
|-------------------------------------|------------|-------------|--------------------|------------|-----------------|
| <input checked="" type="checkbox"/> | 000 | 2R50055 | Gasket Kit | 1 | |
| <input type="checkbox"/> | 001 | 2860100 | Crankase | 1 | |
| <input type="checkbox"/> | 002 | 2R30000 | Cylinder | 1 | |
| <input type="checkbox"/> | 003 | 2860400 | Pump head | 1 | 29.10.2000 |
| <input type="checkbox"/> | 003 | 3860400 | Pump head | 1 | |
| <input type="checkbox"/> | 004 | 2R60200 | Crankshaft | 1 | |
| <input type="checkbox"/> | 005 | 2660160 | Sump base | 1 | |
| <input checked="" type="checkbox"/> | 006 | 2840050 | Valve plate assy. | 1 | |
| <input type="checkbox"/> | 022 | 9014011 | Oil dipper | 2 | |
| <input type="checkbox"/> | 023 | 2281000 | Filter | 1 | 29.10.2000 |
| <input checked="" type="checkbox"/> | 023 | 2881000 | Filter | 1 | |
| <input type="checkbox"/> | 024 | 2870100 | Aftercooler | 1 | |
| <input type="checkbox"/> | 024 | 1070100 | Aftercooler | 1 | 01.04.2001 |
| <input type="checkbox"/> | 026 | 2060690 | Cover N.D.E. | 1 | |
| <input type="checkbox"/> | 027 | 2060590 | Cover D.E. | 1 | |
| <input type="checkbox"/> | 029 | 2600100 | Flyw heel | 1 | |
| <input type="checkbox"/> | 030 | 9170030 | Bearing | 2 | |
| <input type="checkbox"/> | 032 | 9022005 | Oil sight glass | 1 | |
| <input type="checkbox"/> | 033 | 9024021 | Oil fill plug | 1 | 31.05.2001 |
| <input type="checkbox"/> | 033 | 9024029 | Oil fill plug | 1 | |
| <input type="checkbox"/> | 034 | 9163010 | Oil seal | 1 | |
| <input type="checkbox"/> | 035 | 9110014 | Screw | 1 | |
| <input type="checkbox"/> | 036 | 9004008 | Fly w heel w asher | 1 | |

Svc = Service Item