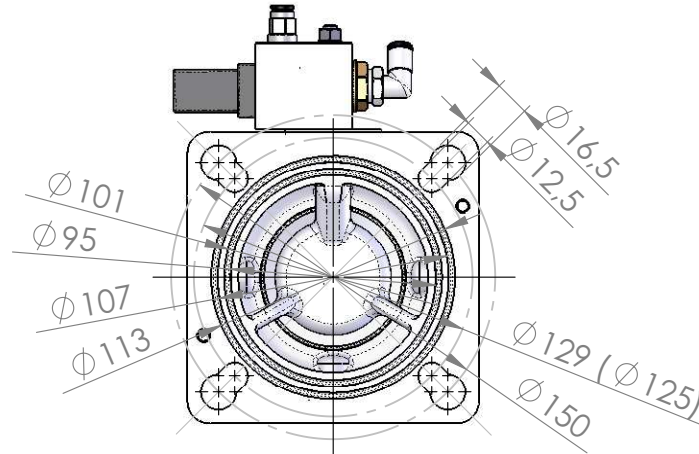




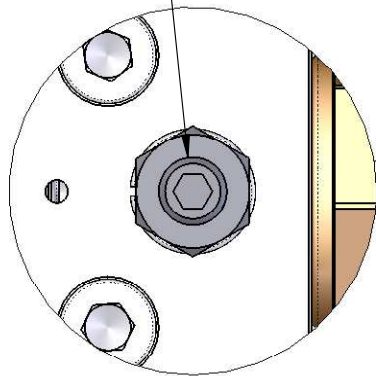
Valvole brevettate per compressori rotativi a vite e a pistoni  
 Patented valves for piston and screw rotary compressors



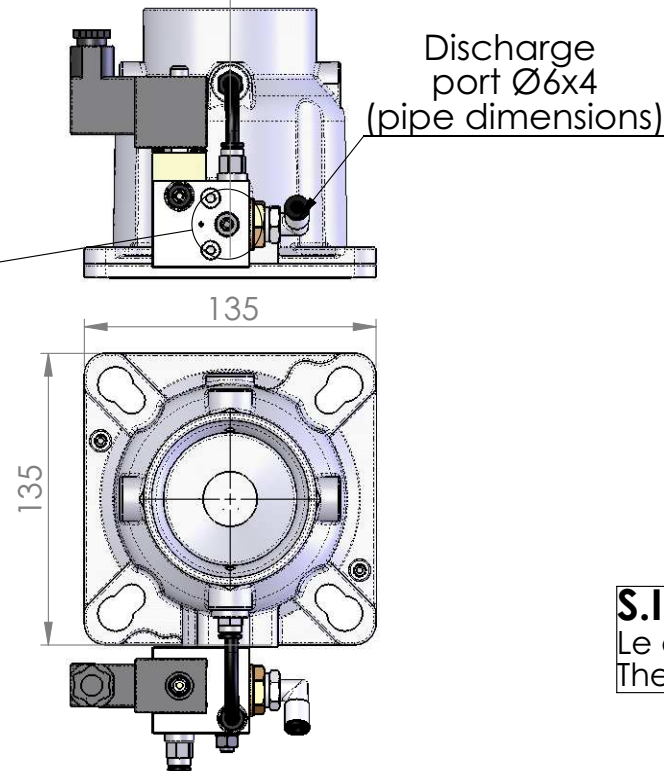
# INTAKE VALVE RH60E



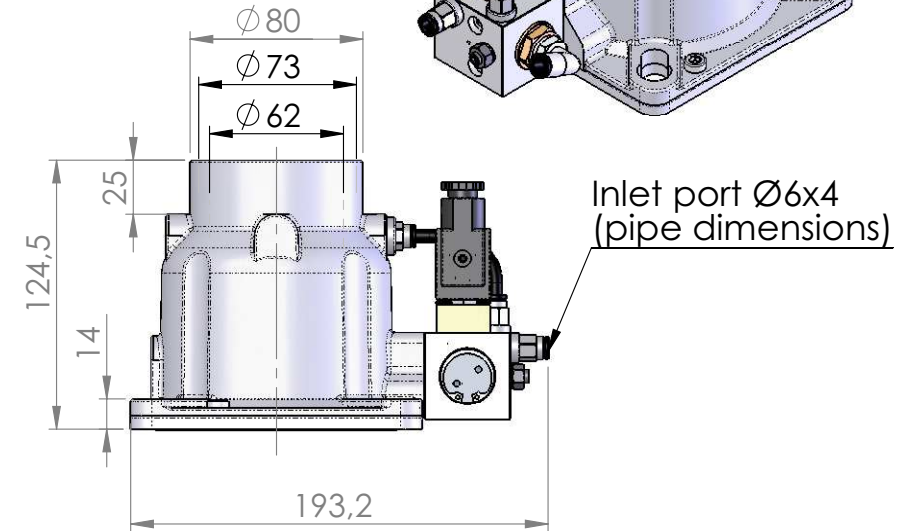
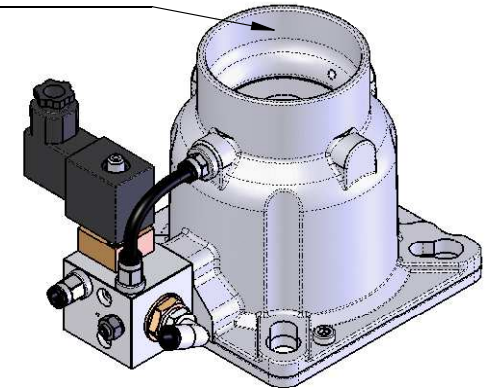
Unloading time  
adjustment  
screw M6



DETAIL A  
SCALE 1.5 : 1



Internal diameter  $\phi 73$



**S.I. sistema internazionale**  
 Le quote mostrate sono in mm  
 The showed dimensions are in mm

V.M.C. s.p.a. - Via A. Da Schio, 4/A-B - I-36051 CREAZZO (VI) - ITALY - Internet : [www.vmcitaly.com](http://www.vmcitaly.com)  
 Tel. +39 0444 / 521471 - 0444 / 341115 - Fax +39 0444 / 275112 - E-mail : [info@vmcitaly.com](mailto:info@vmcitaly.com)

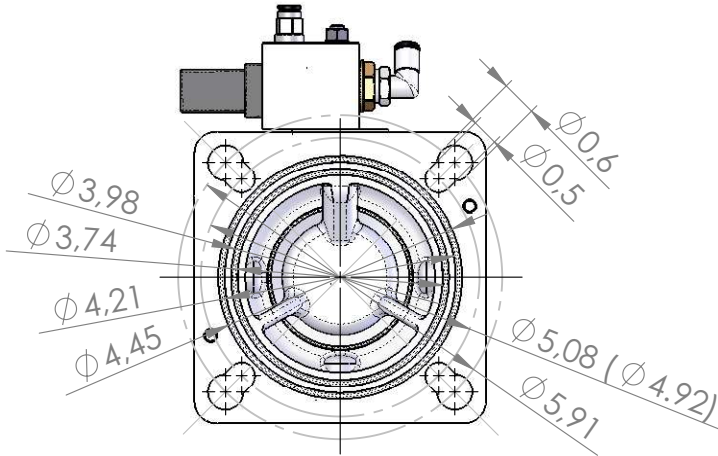
|              |    |                       |    |              |       |                |     |                     |     |                  |    |
|--------------|----|-----------------------|----|--------------|-------|----------------|-----|---------------------|-----|------------------|----|
| TIPO<br>TYPE | PQ | REVISIONE<br>REVISION | 01 | DATA<br>DATE | 10/08 | GRUPPO<br>LINE | 600 | ARTICOLO<br>ARTICLE | .51 | MODELLO<br>MODEL | X0 |
|--------------|----|-----------------------|----|--------------|-------|----------------|-----|---------------------|-----|------------------|----|



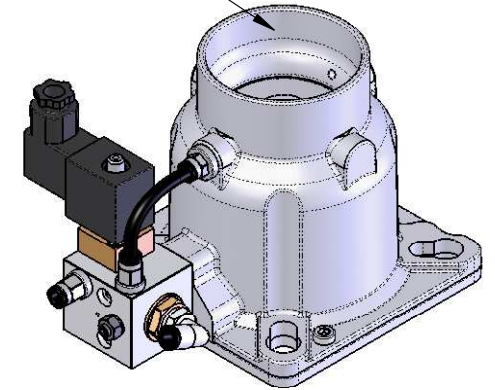
Valvole brevettate per compressori rotativi a vite e a piston  
 Patented valves for piston and screw rotary compressors



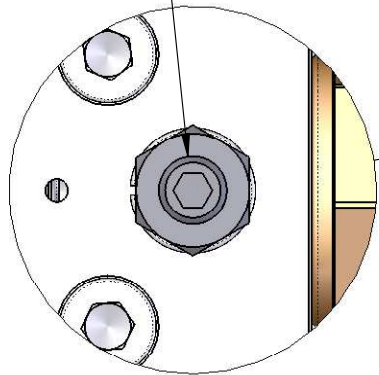
# INTAKE VALVE RH60E



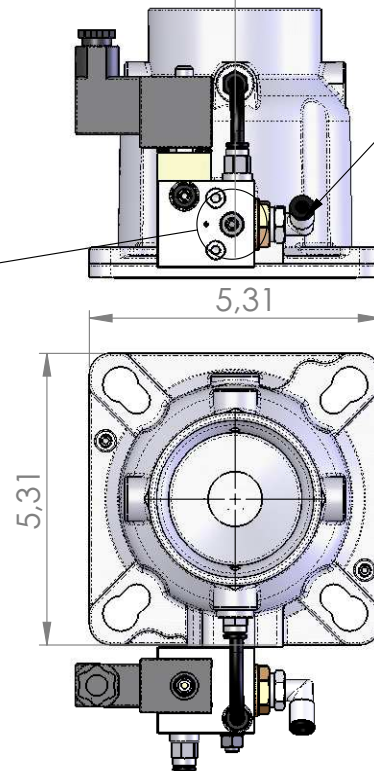
Internal diameter  $\phi 2,87$



Unloading time adjustment screw M6

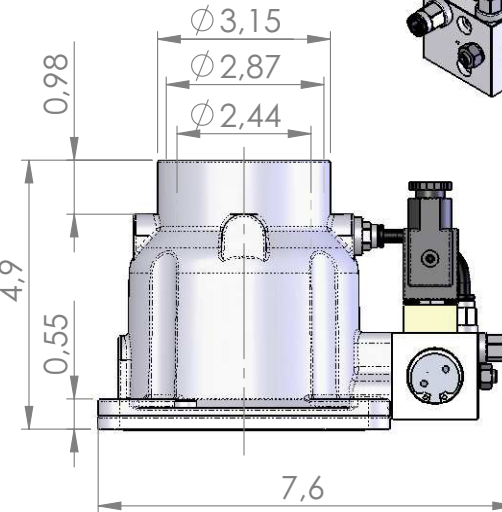


DETAIL A  
SCALE 1.5 : 1



Discharge port  $\phi 0,24 \times 0,16$   
(pipe dimensions)

4,9



Inlet port  $\phi 0,24 \times 0,16$   
(pipe dimensions)

## U.S. units system

The showed dimensions are in INCH  
 Le quote mostrate sono in POLLICI

V.M.C. s.p.a. - Via A. Da Schio, 4/A-B - I-36051 CREAZZO (VI) - ITALY - Internet : [www.vmcitaly.com](http://www.vmcitaly.com)  
 Tel. +39 0444 / 521471 - 0444 / 341115 - Fax +39 0444 / 275112 - E-mail : [info@vmcitaly.com](mailto:info@vmcitaly.com)

|              |    |                       |    |              |       |                |     |                     |     |                  |    |
|--------------|----|-----------------------|----|--------------|-------|----------------|-----|---------------------|-----|------------------|----|
| TIPO<br>TYPE | PQ | REVISIONE<br>REVISION | 01 | DATA<br>DATE | 10/08 | GRUPPO<br>LINE | 600 | ARTICOLO<br>ARTICLE | .51 | MODELLO<br>MODEL | X0 |
|--------------|----|-----------------------|----|--------------|-------|----------------|-----|---------------------|-----|------------------|----|