
Pumps Spare Parts



ABAC SpA
Via Einaudi 6
10070 Robassomero (TO)
Italy

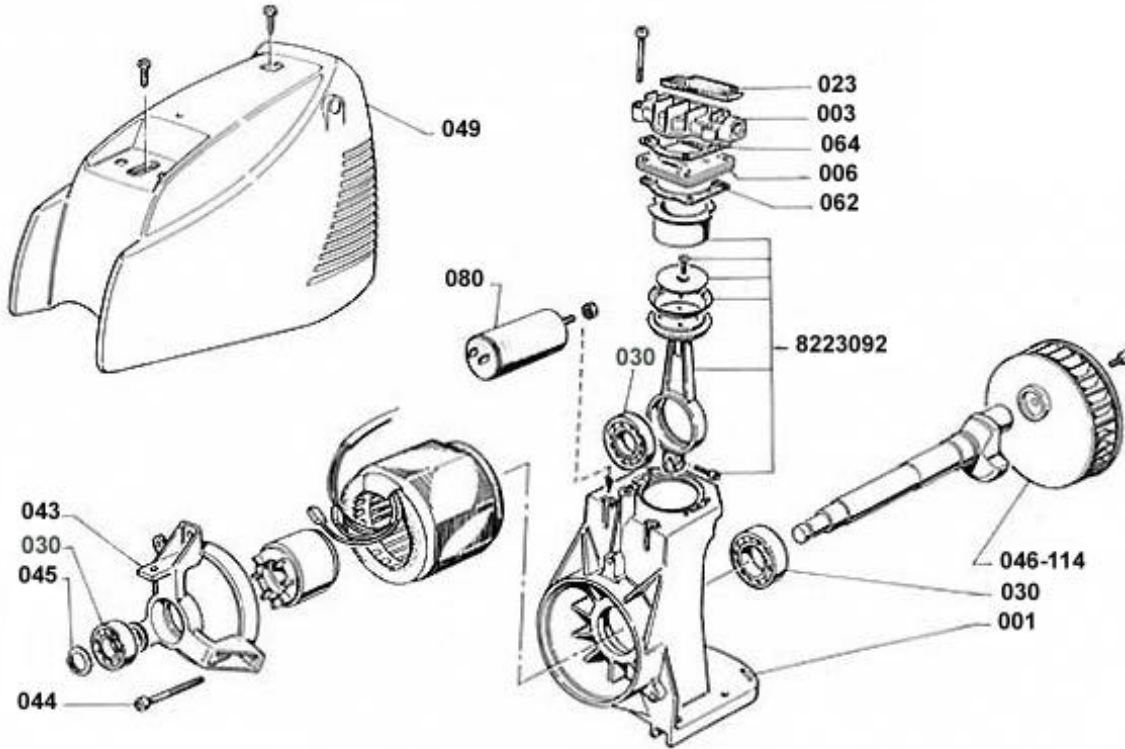
Tel: +39 (011) 9246400
Fax: +39 (011) 9241096
email: com@abac.it

Piston Pumps Spare Parts Index

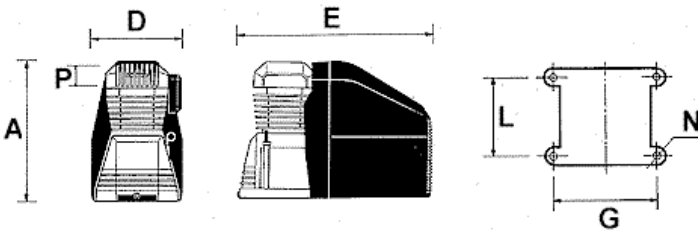
Indice Ricambi Gruppi

Code/Codice	Description/Descrizione	Page/Pagina
030000	OL 231 - 230V 50Hz 2HP	2
040000	OL 200 - 230V 50Hz 1.5HP	4
040005	OL 200 - 115V 60Hz 1.5HP	6
1F0000	D3 260 - 230V 50Hz 2.5HP	8
1G0000	D4 315 - 230V 50Hz 2.0HP	10
6L0000	OM 241 - 230V 50Hz - 2HP	12
6R0000	F1/221 - 230V 50Hz - 1.5HP 2P	14
6R0002	F1/221 - 400V 50Hz - 1.5HP 2P	16
6S0000	F1/241 - 230V 50Hz - 2.0HP 2P	18
6S0002	F1/241 - 400V 50Hz - 2.0HP 2P	20
6Y0000	OM/221 - 230V 50HP - 1.5HP 2P	22
75A000	F1/260 - 230V 50Hz - 2.5HP	24
75A002	F1/260/T - 400V 50Hz - 2.5HP	26
76A000	F1/310 - 230V 50Hz - 3.0HP	28
76A002	F1/310 - 400V 50Hz - 3.0HP	30
A30000	OM 231 - 230V 50Hz - 2.0HP	32
A40000	OM 200 - 230V 50Hz - 1.5HP	34
2C0000	GV 24 - 230V 50Hz	36
2C0001	GV 24 - 400V 50Hz - 4P	38
3D0000	NV 34 - 230V 50Hz - 4P	40
3D0001	NV 34 - 400V 50Hz - 4P	42
3F0000	VD 32 - 230V 50Hz	44
3M0000	NBV	46
3N0000	NV 32 - 230V 50Hz - 2P	48
3N0002	NV 32 - 400V 50Hz - 2P	50
7S0000	VL 241 HP 2	52
7T0000	VL 221 HP 1,5	54
150000	B 1500	56
280000	NS11 - B 2800	58
28000B	NS11B - B 2800B	60
2R0000	B 2800 IBR	62
2R000B	B 2800B IBR	64
360000	B 3800	66
36000B	B 3800 B	68
370000	NS 18	70
37000A	NS 18 B	72
1M0000	D3 HP 2,5	74
1N0000	D4 HP 3	76
112000	NS 39	78
119000	NS 89 - B 8900	80
47000B	NS 29S	82
490000	B 4900	84
49000A	B 4900A	86
530000	B 5900/B	88
53000A	B 5900A/B	90
5E0000	NS 59/S - B 7900/S	92
620000	B 6000	94
62000A	B 6000A	96
630000	NS 39/S	98
700000	B 7000	100

Code: 0300000
OL 231 - 230V 50Hz 2HP



Dimensions:



In mm

A	B	C	D	E	F	G	L	M	N	P
285	/	/	190	390	/	139	64	/	9	3/8" F

Box Weight: Kg Box Dimensions: W x D x L: x x

Tightening Torques, Cylinder Head:

Bolt Size:	<input type="text" value="M6"/>
MinTorque:	<input type="text" value="9.3"/> Nm
Max Torque:	<input type="text" value="11.36"/> Nm

Technical Data:

Cylinders:	<input type="text" value="1"/>	
Stages:	<input type="text" value="1"/>	
Air Flow:	<input type="text" value="230"/> L/m in	<input type="text" value="8,1"/> cfm
Power:	<input type="text" value="1,5"/> Kw	<input type="text" value="2"/> HP
Speed:	<input type="text" value="2850"/> rpm	
Max Pressure:	<input type="text" value="8"/> Bar	<input type="text" value="116"/> psi

Code: 0300000

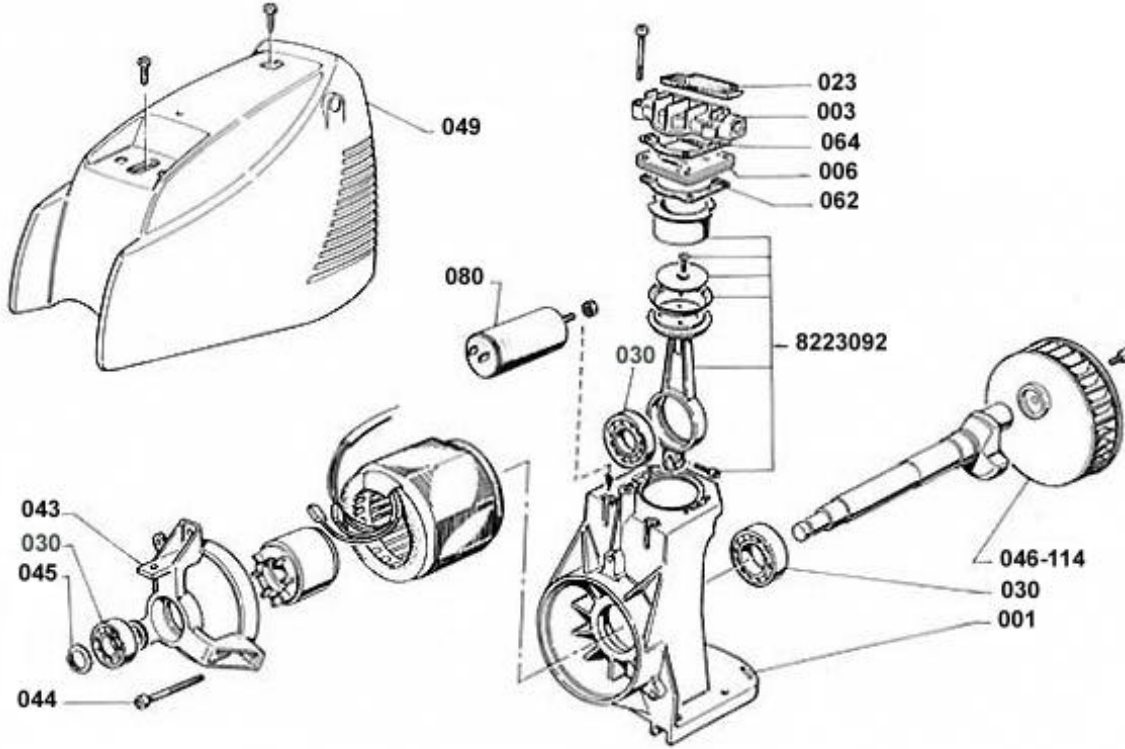
OL 231 - 230V 50Hz 2HP



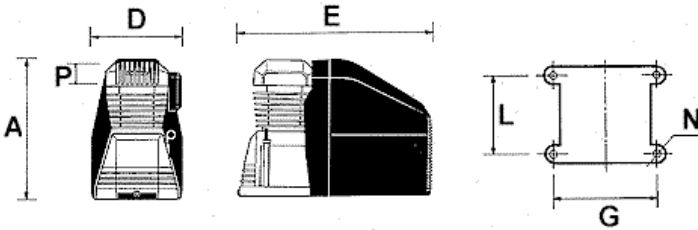
<i>Svc</i>	<i>Ref</i>	<i>Code</i>	<i>Description</i>	<i>Qty</i>	<i>Modified</i>
<input type="checkbox"/>	001	0361100	Crankase	1	18.04.1999
<input type="checkbox"/>	001	0361101	Crankase	1	
<input type="checkbox"/>	003	7161400	Pump head	1	
<input checked="" type="checkbox"/>	006	0540051	Valve plate assy.	1	
<input checked="" type="checkbox"/>	023	7181100	Filter	1	
<input type="checkbox"/>	030	9170091	Bearing	1	
<input type="checkbox"/>	030	9170097	Bearing	1	
<input type="checkbox"/>	030	9170085	Bearing	1	
<input type="checkbox"/>	043	0462200	Motor cover	1	
<input type="checkbox"/>	044	9011040	Motor bolts	3	
<input type="checkbox"/>	045	9140160	Circlip	1	
<input type="checkbox"/>	046	9038129	Fan	1	
<input type="checkbox"/>	049	830410D	Cover	1	
<input type="checkbox"/>	062	7350300	Cylinder - plate gasket	1	
<input type="checkbox"/>	064	6750400	Plate - head gasket	1	
<input type="checkbox"/>	080	9067026	Capacitor	1	

Svc = Service Item

Code: 0400000
OL 200 - 230V 50Hz 1.5HP



Dimensions:



In mm

A	B	C	D	E	F	G	L	M	N	P
285	/	/	190	390	/	139	64	/	9	3/8" F

Box Weight: Kg Box Dimensions: W x D x L: x x

Tightening Torques, Cylinder Head:

Bolt Size:	<input type="text" value="M6"/>	
MinTorque:	<input type="text" value="9.3"/>	Nm
Max Torque:	<input type="text" value="11.36"/>	Nm

Technical Data:

Cylinders:	<input type="text" value="1"/>		
Stages:	<input type="text" value="1"/>		
Air Flow:	<input type="text" value="200"/>	L/m in	<input type="text" value="7,1"/> cfm
Power:	<input type="text" value="1,1"/>	Kw	<input type="text" value="1,5"/> HP
Speed:	<input type="text" value="2850"/>	rpm	
Max Pressure:	<input type="text" value="8"/>	Bar	<input type="text" value="116"/> psi

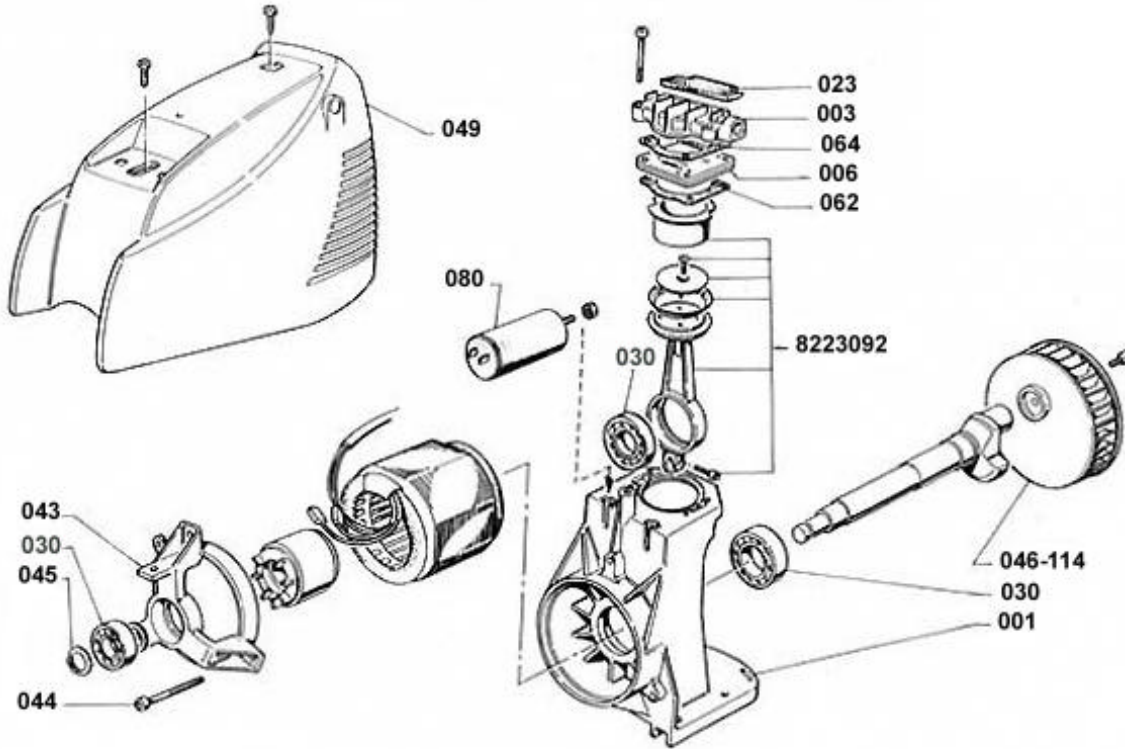
Code: 0400000
OL 200 - 230V 50Hz 1.5HP



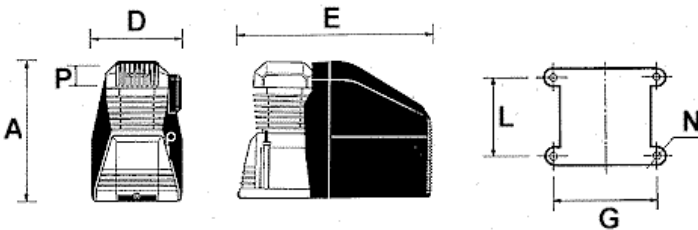
<i>Svc</i>	<i>Ref</i>	<i>Code</i>	<i>Description</i>	<i>Qty</i>	<i>Modified</i>
<input type="checkbox"/>	001	0461100	Crankase	1	18.04.1999
<input type="checkbox"/>	001	0461101	Crankase	1	
<input type="checkbox"/>	003	7161400	Pump head	1	
<input checked="" type="checkbox"/>	006	0540051	Valve plate assy.	1	
<input checked="" type="checkbox"/>	023	7181100	Filter	1	
<input type="checkbox"/>	030	9170085	Bearing	1	
<input type="checkbox"/>	030	9170091	Bearing	1	
<input type="checkbox"/>	030	9170097	Bearing	1	
<input type="checkbox"/>	043	0462200	Motor cover	1	
<input type="checkbox"/>	044	9011040	Motor bolts	3	25.11.1997
<input type="checkbox"/>	044	9011044	Motor bolts	3	
<input type="checkbox"/>	045	9140160	Circlip	1	
<input type="checkbox"/>	046	9038128	Fan	1	
<input type="checkbox"/>	046	9038114	Fan	1	29.03.1998
<input type="checkbox"/>	049	830410D	Cover	1	
<input type="checkbox"/>	062	7350301	Cylinder - plate gasket	1	26.11.1997
<input type="checkbox"/>	062	7350300	Cylinder - plate gasket	1	
<input type="checkbox"/>	064	6750400	Plate - head gasket	1	
<input type="checkbox"/>	080	9067026	Capacitor	1	
<input type="checkbox"/>	114	9053796	Fan retaining bolt	1	

Svc = Service Item

Code: 0400005
OL 200 - 115V 60Hz 1.5HP



Dimensions:



In mm

A	B	C	D	E	F	G	L	M	N	P
285	/	/	190	390	/	139	64	/	9	3/8" F

Box Weight: Kg Box Dimensions: W x D x L: x x

Tightening Torques, Cylinder Head:

Bolt Size:	<input type="text" value="M6"/>
MinTorque:	<input type="text" value="9.3"/> Nm
Max Torque:	<input type="text" value="11.36"/> Nm

Technical Data:

Cylinders:	<input type="text" value="1"/>	
Stages:	<input type="text" value="1"/>	
Air Flow:	<input type="text" value="200"/> L/m in	<input type="text" value="7,1"/> cfm
Power:	<input type="text" value="1,1"/> Kw	<input type="text" value="1,5"/> HP
Speed:	<input type="text" value="3500"/> rpm	
Max Pressure:	<input type="text" value="8"/> Bar	<input type="text" value="116"/> psi

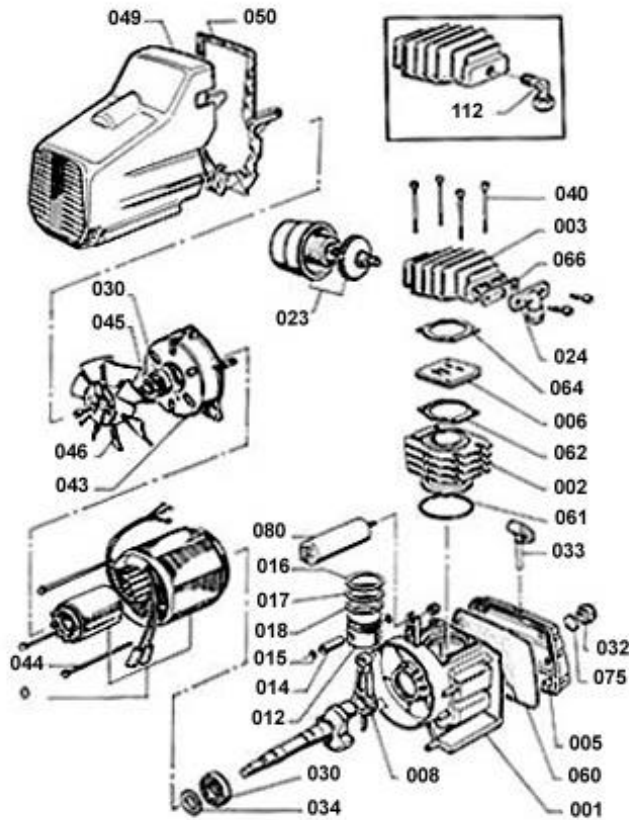
Code: 0400005
OL 200 - 115V 60Hz 1.5HP



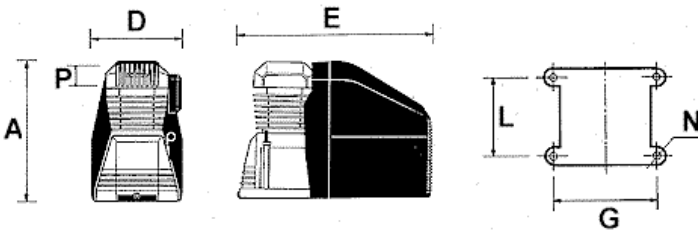
<i>Svc</i>	<i>Ref</i>	<i>Code</i>	<i>Description</i>	<i>Qty</i>	<i>Modified</i>
<input type="checkbox"/>	001	0461100	Crankase	1	18.04.1999
<input type="checkbox"/>	001	0461101	Crankase	1	
<input type="checkbox"/>	003	7161400	Pump head	1	
<input checked="" type="checkbox"/>	006	0540051	Valve plate assy.	1	
<input checked="" type="checkbox"/>	023	7181100	Filter	1	
<input type="checkbox"/>	030	9170097	Bearing	1	
<input type="checkbox"/>	030	9170085	Bearing	1	
<input type="checkbox"/>	030	9170091	Bearing	1	
<input type="checkbox"/>	043	0462200	Motor cover	1	
<input type="checkbox"/>	044	9011041	Motor bolts	3	
<input type="checkbox"/>	045	9140160	Circlip	1	
<input type="checkbox"/>	046	9038128	Fan	1	
<input type="checkbox"/>	049	830410D	Cover	1	
<input type="checkbox"/>	062	7350300	Cylinder - plate gasket	1	
<input type="checkbox"/>	064	6750400	Plate - head gasket	1	
<input type="checkbox"/>	080	9067022	Capacitor	1	
<input type="checkbox"/>	114	9053796	Fan retaining bolt	1	
<input type="checkbox"/>	134	9065299	Motor - P/Sw itch cable	1	
<input type="checkbox"/>	134	9065267	Motor - P/Sw itch cable	1	19.03.2001

Svc = Service Item

Code: 1F00000
D3 260 - 230V 50Hz 2.5HP



Dimensions:



In mm

A	B	C	D	E	F	G	L	M	N	P
340	/	/	250	405	/	195	90	/	9	3/8" F

Box Weight: Kg Box Dimensions: W x D x L: x x

Tightening Torques, Cylinder Head:

Bolt Size:	<input type="text" value="M6"/>	
Min Torque:	<input type="text" value="9.3"/>	Nm
Max Torque:	<input type="text" value="11.36"/>	Nm

Technical Data:

Cylinders:	<input type="text" value="1"/>		
Stages:	<input type="text" value="1"/>		
Air Flow:	<input type="text" value="260"/>	L/m in	<input type="text" value="9,2"/> cfm
Power:	<input type="text" value="1,8"/>	Kw	<input type="text" value="2,5"/> HP
Speed:	<input type="text" value="2850"/>	rpm	
Max Pressure:	<input type="text" value="8"/>	Bar	<input type="text" value="116"/> psi

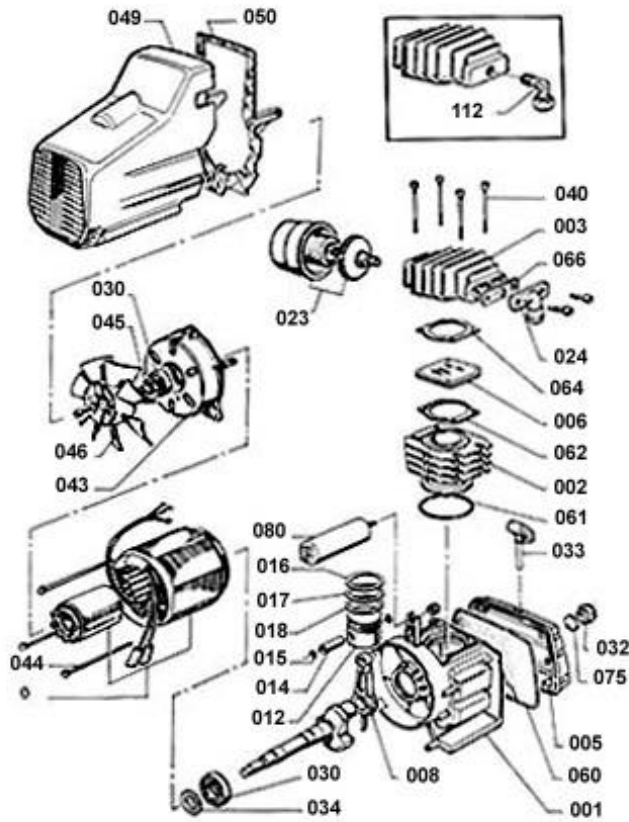
Code: 1F00000
D3 260 - 230V 50Hz 2.5HP



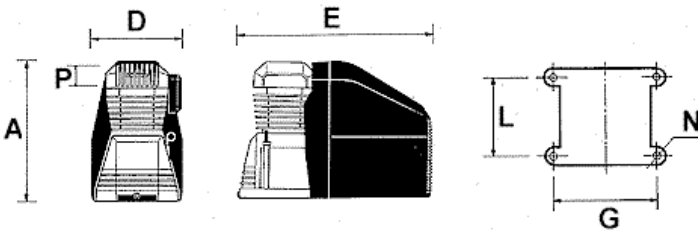
<i>Svc</i>	<i>Ref</i>	<i>Code</i>	<i>Description</i>	<i>Qty</i>	<i>Modified</i>
<input checked="" type="checkbox"/>	000	1750050	Gasket Kit	1	
<input type="checkbox"/>	001	1760100	Crankase	1	
<input type="checkbox"/>	002	1730000	Cylinder	1	
<input type="checkbox"/>	003	1761401	Pump head	1	
<input type="checkbox"/>	003	1761400	Pump head	1	01.06.1996
<input type="checkbox"/>	005	1761300	Sump base	1	
<input type="checkbox"/>	006	7940051	Valve plate assy.	1	03.11.1996
<input type="checkbox"/>	006	0540050	Valve plate assy.	1	01.12.1996
<input type="checkbox"/>	006	7940050	Valve plate assy.	1	01.09.1996
<input checked="" type="checkbox"/>	006	0540051	Valve plate assy.	1	
<input type="checkbox"/>	008	7110100	Connecting rod	1	
<input type="checkbox"/>	012	692110B	Piston D. Pin D.	1	
<input type="checkbox"/>	014	6521200	Pin	1	
<input type="checkbox"/>	015	9140020	Circlip	2	
<input type="checkbox"/>	016	9020039	Piston ring AC	1	
<input type="checkbox"/>	017	9020051	Piston ring ROS	1	
<input type="checkbox"/>	018	9020068	Piston ring ROF	1	
<input checked="" type="checkbox"/>	023	6581000	Filter	1	
<input type="checkbox"/>	024	2670100	Aftercooler	1	01.06.1996
<input type="checkbox"/>	030	9170030	Bearing	1	
<input type="checkbox"/>	030	9170091	Bearing	1	
<input type="checkbox"/>	032	D076001	Oil sight glass	1	30.03.1996
<input type="checkbox"/>	032	9022013	Oil sight glass	1	
<input type="checkbox"/>	033	9024018	Oil fill plug	1	
<input type="checkbox"/>	034	9163010	Oil seal	1	
<input type="checkbox"/>	040	9011043	Cylinder head bolts	4	30.06.2000
<input type="checkbox"/>	040	9101124	Cylinder head bolts	4	29.02.1996
<input type="checkbox"/>	040	9011048	Cylinder head bolts	4	
<input type="checkbox"/>	043	6562203	Motor cover	1	
<input type="checkbox"/>	043	6562201	Motor cover	1	31.12.1995
<input type="checkbox"/>	044	9011042	Motor bolts	3	
<input type="checkbox"/>	045	9140160	Circlip	1	
<input type="checkbox"/>	046	9038017	Fan	1	
<input type="checkbox"/>	046	9038113	Fan	1	16.05.1999
<input type="checkbox"/>	049	830210A	Cover	1	
<input type="checkbox"/>	050	830220A	Cover plate	1	
<input type="checkbox"/>	080	9067023	Capacitor	1	

Svc = Service Item

Code: 1G00000
D4 315 - 230V 50Hz 2.0HP



Dimensions:



In mm

A	B	C	D	E	F	G	L	M	N	P
340	/	/	250	405	/	195	90	/	9	3/8" F

Box Weight: Kg Box Dimensions: W x D x L: x x

Tightening Torques, Cylinder Head:

Bolt Size:	<input type="text" value="M6"/>	
Min Torque:	<input type="text" value="9.3"/>	Nm
Max Torque:	<input type="text" value="11.36"/>	Nm

Technical Data:

Cylinders:	<input type="text" value="1"/>		
Stages:	<input type="text" value="1"/>		
Air Flow:	<input type="text" value="315"/>	L/m in	<input type="text" value="11,1"/> cfm
Power:	<input type="text" value="2,2"/>	Kw	<input type="text" value="3"/> HP
Speed:	<input type="text" value="2850"/>	rpm	
Max Pressure:	<input type="text" value="8"/>	Bar	<input type="text" value="116"/> psi

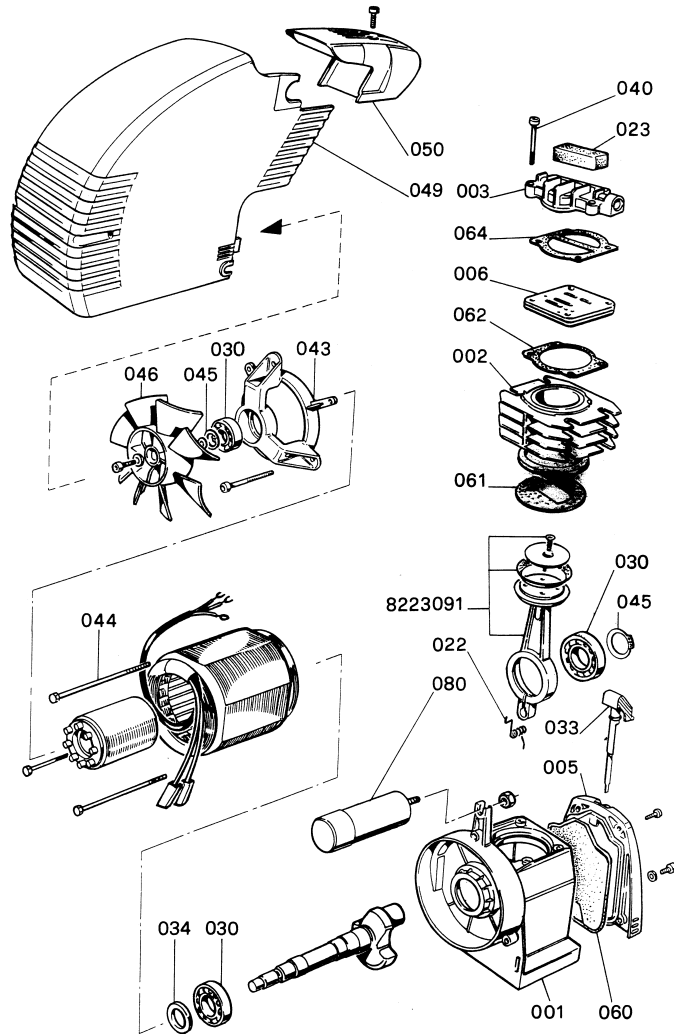
Code: 1G00000
D4 315 - 230V 50Hz 2.0HP



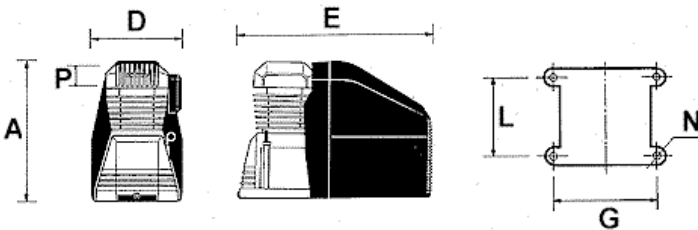
<i>Svc</i>	<i>Ref</i>	<i>Code</i>	<i>Description</i>	<i>Qty</i>	<i>Modified</i>
<input checked="" type="checkbox"/>	000	1850050	Gasket Kit	1	
<input type="checkbox"/>	001	1760100	Crankase	1	
<input type="checkbox"/>	002	7330000	Cylinder	1	
<input type="checkbox"/>	003	1761400	Pump head	1	
<input type="checkbox"/>	005	1761300	Sump base	1	
<input type="checkbox"/>	006	7940050	Valve plate assy.	1	01.09.1996
<input type="checkbox"/>	006	0540050	Valve plate assy.	1	01.12.1996
<input type="checkbox"/>	006	7940051	Valve plate assy.	1	03.11.1996
<input checked="" type="checkbox"/>	006	0540051	Valve plate assy.	1	
<input type="checkbox"/>	008	7310100	Connecting rod	1	
<input type="checkbox"/>	012	1421100	Piston D. Pin D.	1	
<input type="checkbox"/>	014	7921200	Pin	1	
<input type="checkbox"/>	015	9140040	Circlip	2	
<input type="checkbox"/>	016	9020011	Piston ring AC	1	
<input type="checkbox"/>	017	9020041	Piston ring ROS	1	
<input type="checkbox"/>	018	9020071	Piston ring ROF	1	
<input checked="" type="checkbox"/>	023	6581000	Filter	1	
<input type="checkbox"/>	024	2670100	Aftercooler	1	
<input type="checkbox"/>	030	9170030	Bearing	1	
<input type="checkbox"/>	030	9170091	Bearing	1	
<input type="checkbox"/>	032	D076001	Oil sight glass	1	30.03.1996
<input type="checkbox"/>	032	9022013	Oil sight glass	1	
<input type="checkbox"/>	033	9024018	Oil fill plug	1	
<input type="checkbox"/>	034	9163010	Oil seal	1	
<input type="checkbox"/>	040	9101124	Cylinder head bolts	4	29.02.1996
<input type="checkbox"/>	040	9011043	Cylinder head bolts	4	30.06.2000
<input type="checkbox"/>	040	9011048	Cylinder head bolts	4	
<input type="checkbox"/>	043	6562203	Motor cover	1	
<input type="checkbox"/>	043	6562201	Motor cover	1	31.12.1995
<input type="checkbox"/>	044	9011039	Motor bolts	3	
<input type="checkbox"/>	045	9140160	Circlip	1	
<input type="checkbox"/>	046	9038110	Fan	1	
<input type="checkbox"/>	046	9038017	Fan	1	31.05.1996
<input type="checkbox"/>	049	830210A	Cover	1	
<input type="checkbox"/>	050	830220A	Cover plate	1	
<input type="checkbox"/>	080	9067028	Capacitor	1	

Svc = Service Item

Code: 6L00000
OM 241 - 230V 50Hz - 2HP



Dimensions:



In mm

A	B	C	D	E	F	G	L	M	N	P
270	/	/	165	355	/	139	64	/	9	3/8" F

Box Weight: Kg Box Dimensions: W x D x L: x x

Tightening Torques, Cylinder Head:

Bolt Size:	<input type="text" value="M6"/>
MinTorque:	<input type="text" value="9.3"/> Nm
Max Torque:	<input type="text" value="11.36"/> Nm

Technical Data:

Cylinders:	<input type="text" value="1"/>	
Stages:	<input type="text" value="1"/>	
Air Flow:	<input type="text" value="240"/> L/m in	<input type="text" value="8,5"/> cfm
Power:	<input type="text" value="1,5"/> Kw	<input type="text" value="2"/> HP
Speed:	<input type="text" value="2850"/> rpm	
Max Pressure:	<input type="text" value="8"/> Bar	<input type="text" value="116"/> psi

Code: 6L00000
OM 241 - 230V 50Hz - 2HP



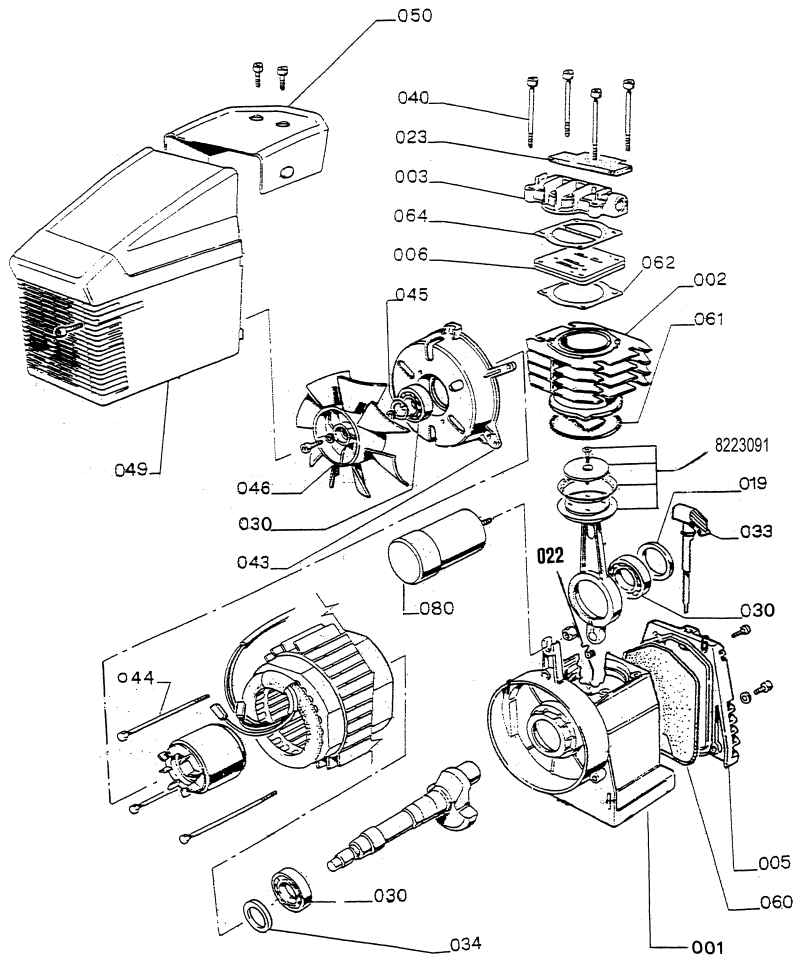
<i>Svc</i>	<i>Ref</i>	<i>Code</i>	<i>Description</i>	<i>Qty</i>	<i>Modified</i>
<input checked="" type="checkbox"/>	000	6R50050	Gasket Kit	1	
<input type="checkbox"/>	001	7161100	Crankase	1	19.09.1999
<input type="checkbox"/>	001	6P61100	Crankase	1	
<input type="checkbox"/>	002	6P30001	Cylinder	1	
<input type="checkbox"/>	003	7161400	Pump head	1	
<input type="checkbox"/>	005	6T61300	Sump base	1	
<input checked="" type="checkbox"/>	006	0540051	Valve plate assy.	1	
<input type="checkbox"/>	022	9014009	Oil dipper	1	
<input checked="" type="checkbox"/>	023	7181100	Filter	1	
<input type="checkbox"/>	030	9170097	Bearing	1	
<input type="checkbox"/>	030	9170091	Bearing	1	
<input type="checkbox"/>	030	9170030	Bearing	1	
<input type="checkbox"/>	030	9170060	Bearing	1	12.11.2000
<input type="checkbox"/>	033	9024015	Oil fill plug	1	
<input type="checkbox"/>	034	9163010	Oil seal	1	
<input type="checkbox"/>	040	9011043	Cylinder head bolts	4	
<input type="checkbox"/>	043	6P62200	Motor cover	1	
<input type="checkbox"/>	043	6562203	Motor cover	1	19.09.1999
<input type="checkbox"/>	044	9011040	Motor bolts	3	
<input type="checkbox"/>	045	9140170	Circlip	1	
<input type="checkbox"/>	045	9140160	Circlip	1	
<input type="checkbox"/>	046	9038017	Fan	1	
<input type="checkbox"/>	049	831820D	Cover	1	
<input type="checkbox"/>	050	831840D	Cover plate	1	
<input type="checkbox"/>	080	9067026	Capacitor	1	

Svc = Service Item

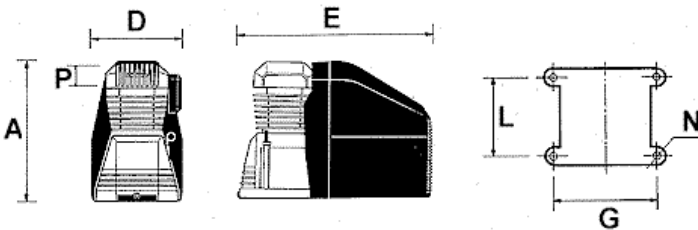
Code:

6R00000

F1/221 - 230V 50Hz - 1.5HP 2P



Dimensions:



In mm

A	B	C	D	E	F	G	L	M	N	P
270	/	/	165	375	/	139	64	/	9	3/8" F

Box Weight: Kg Box Dimensions: W x D x L: x x

Tightening Torques, Cylinder Head:

Bolt Size:	<input type="text" value="M6"/>	
Min Torque:	<input type="text" value="9.3"/>	Nm
Max Torque:	<input type="text" value="11.36"/>	Nm

Technical Data:

Cylinders:	<input type="text" value="1"/>		
Stages:	<input type="text" value="1"/>		
Air Flow:	<input type="text" value="220"/>	L/m in	<input type="text" value="7,8"/> cfm
Power:	<input type="text" value="1,1"/>	Kw	<input type="text" value="1,5"/> HP
Speed:	<input type="text" value="2850"/>	rpm	
Max Pressure:	<input type="text" value="8"/>	Bar	<input type="text" value="116"/> psi

Code: 6R00000
F1/221 - 230V 50Hz - 1.5HP 2P



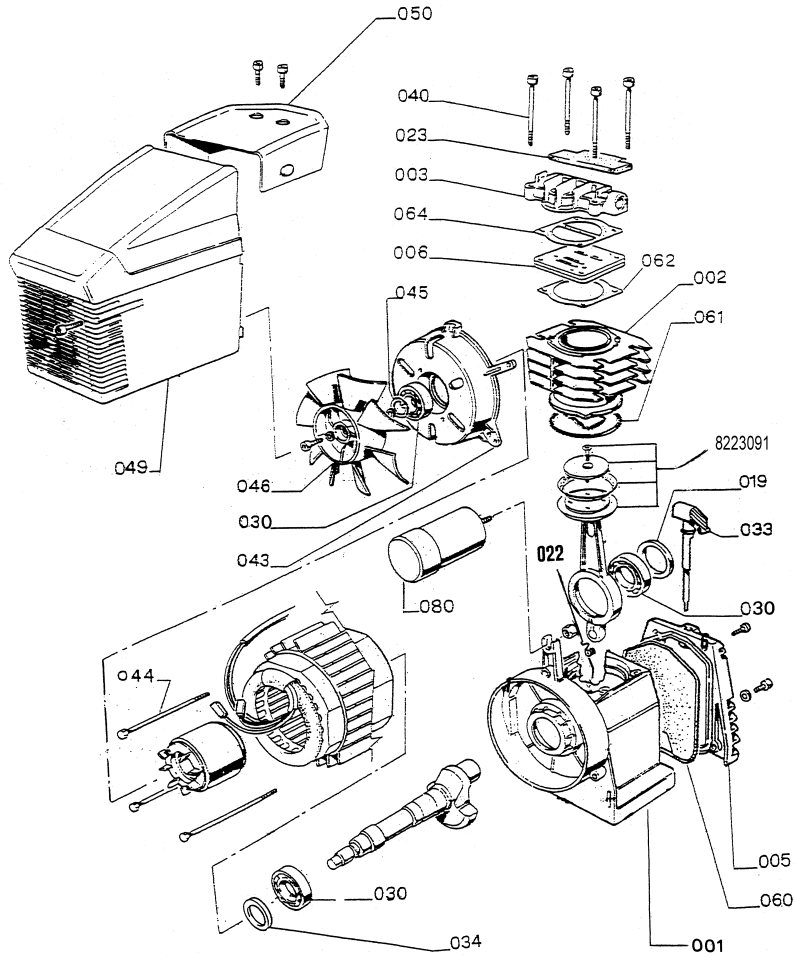
<i>Svc</i>	<i>Ref</i>	<i>Code</i>	<i>Description</i>	<i>Qty</i>	<i>Modified</i>
<input checked="" type="checkbox"/>	000	6R50050	Gasket Kit	1	
<input type="checkbox"/>	001	6P61100	Crankase	1	
<input type="checkbox"/>	002	6P30000	Cylinder	1	
<input type="checkbox"/>	003	7161400	Pump head	1	
<input type="checkbox"/>	005	7161300	Sump base	1	
<input checked="" type="checkbox"/>	006	0540051	Valve plate assy.	1	
<input type="checkbox"/>	022	9014009	Oil dipper	1	
<input checked="" type="checkbox"/>	023	7181100	Filter	1	
<input type="checkbox"/>	030	9170091	Bearing	1	
<input type="checkbox"/>	030	9170030	Bearing	1	
<input type="checkbox"/>	030	9170060	Bearing	1	28.11.1999
<input type="checkbox"/>	030	9170097	Bearing	1	
<input type="checkbox"/>	033	9024015	Oil fill plug	1	
<input type="checkbox"/>	034	9163010	Oil seal	1	
<input type="checkbox"/>	040	9011043	Cylinder head bolts	4	
<input type="checkbox"/>	043	6P62200	Motor cover	1	
<input type="checkbox"/>	044	9011044	Motor bolts	3	
<input type="checkbox"/>	045	9140170	Circlip	1	
<input type="checkbox"/>	045	9140160	Circlip	1	
<input type="checkbox"/>	046	9038017	Fan	1	
<input type="checkbox"/>	049	830200A	Cover	1	
<input type="checkbox"/>	050	830150A	Cover plate	1	
<input type="checkbox"/>	080	9067026	Capacitor	1	

Svc = Service Item

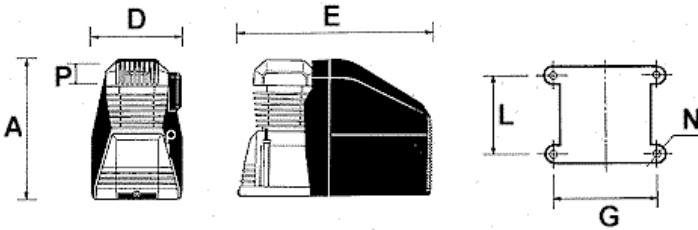
Code:

6R00002

F1/221 - 400V 50Hz - 1.5HP 2P



Dimensions:



In mm

A	B	C	D	E	F	G	L	M	N	P
270	/	/	165	375	/	139	64	/	9	3/8" F

Box Weight: Kg Box Dimensions: W x D x L: x x

Tightening Torques, Cylinder Head:

Bolt Size:	<input type="text" value="M6"/>	
Min Torque:	<input type="text" value="9.3"/>	Nm
Max Torque:	<input type="text" value="11.36"/>	Nm

Technical Data:

Cylinders:	<input type="text" value="1"/>		
Stages:	<input type="text" value="1"/>		
Air Flow:	<input type="text" value="220"/>	L/m in	<input type="text" value="7,8"/> cfm
Power:	<input type="text" value="1,1"/>	Kw	<input type="text" value="1,5"/> HP
Speed:	<input type="text" value="2850"/>	rpm	
Max Pressure:	<input type="text" value="8"/>	Bar	<input type="text" value="116"/> psi

Code: 6R00002
F1/221 - 400V 50Hz - 1.5HP 2P



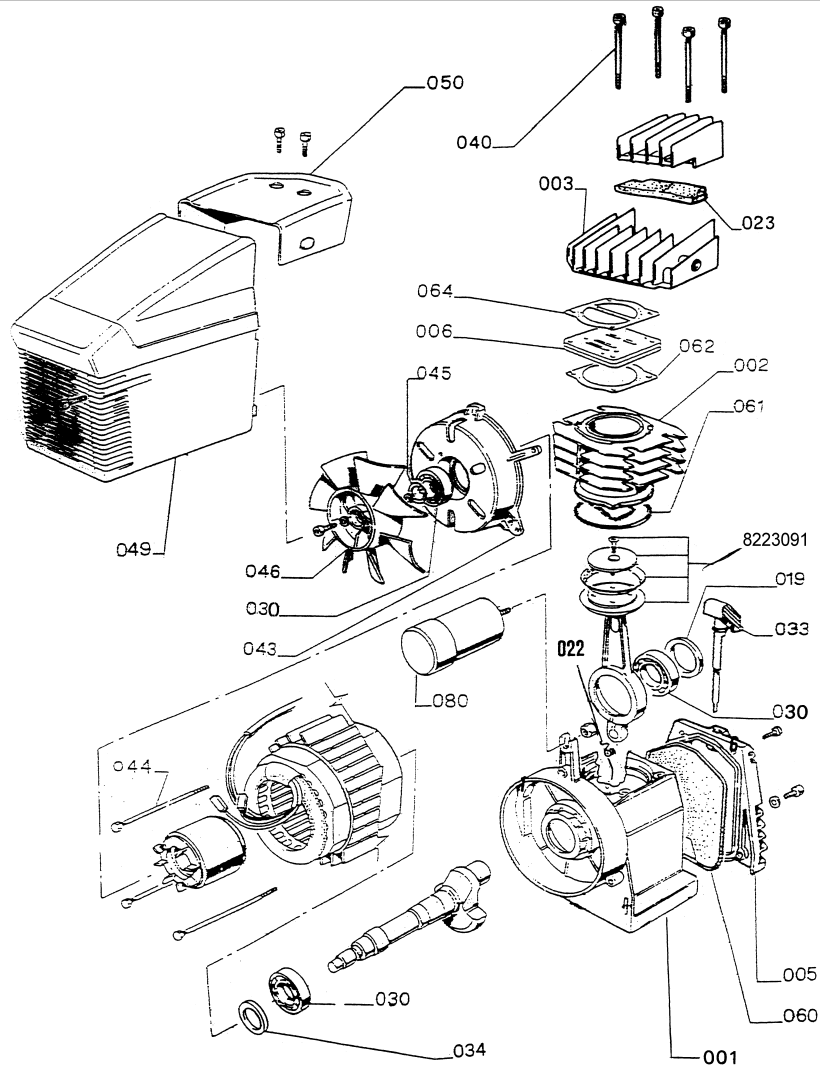
<i>Svc</i>	<i>Ref</i>	<i>Code</i>	<i>Description</i>	<i>Qty</i>	<i>Modified</i>
<input checked="" type="checkbox"/>	000	6R50050	Gasket Kit	1	
<input type="checkbox"/>	001	7161100	Crankase	1	
<input type="checkbox"/>	002	6P30000	Cylinder	1	
<input type="checkbox"/>	003	7161400	Pump head	1	
<input type="checkbox"/>	005	7161300	Sump base	1	
<input checked="" type="checkbox"/>	006	0540051	Valve plate assy.	1	
<input type="checkbox"/>	022	9014009	Oil dipper	1	
<input checked="" type="checkbox"/>	023	7181100	Filter	1	
<input type="checkbox"/>	030	9170030	Bearing	1	
<input type="checkbox"/>	030	9170091	Bearing	1	
<input type="checkbox"/>	030	9170097	Bearing	1	
<input type="checkbox"/>	030	9170060	Bearing	1	12.11.2000
<input type="checkbox"/>	033	9024015	Oil fill plug	1	
<input type="checkbox"/>	034	9163010	Oil seal	1	
<input type="checkbox"/>	040	9011043	Cylinder head bolts	4	
<input type="checkbox"/>	043	6562203	Motor cover	1	
<input type="checkbox"/>	044	9011040	Motor bolts	3	
<input type="checkbox"/>	045	9140170	Circlip	1	
<input type="checkbox"/>	045	9140160	Circlip	1	
<input type="checkbox"/>	046	9038017	Fan	1	
<input type="checkbox"/>	049	830190A	Cover	1	
<input type="checkbox"/>	050	830150A	Cover plate	1	

Svc = Service Item

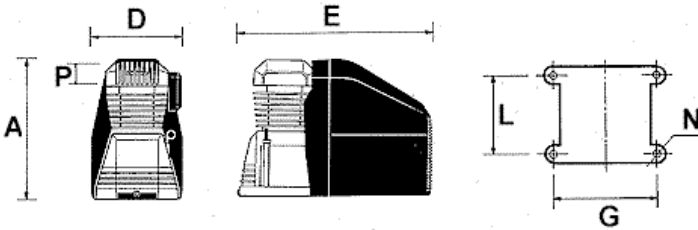
Code:

6S00000

F1/241 - 230V 50Hz - 2.0HP 2P



Dimensions:



In mm

A	B	C	D	E	F	G	L	M	N	P
270	/	/	165	375	/	139	64	/	9	3/8" F

Box Weight: Kg Box Dimensions: W x D x L: x x

Tightening Torques, Cylinder Head:

Bolt Size:	<input type="text" value="M6"/>	
MinTorque:	<input type="text" value="9.3"/>	Nm
Max Torque:	<input type="text" value="11.36"/>	Nm

Technical Data:

Cylinders:	<input type="text" value="1"/>		
Stages:	<input type="text" value="1"/>		
Air Flow:	<input type="text" value="240"/>	L/m in	<input type="text" value="8,5"/> cfm
Power:	<input type="text" value="1,5"/>	Kw	<input type="text" value="2"/> HP
Speed:	<input type="text" value="2850"/>	rpm	
Max Pressure:	<input type="text" value="8"/>	Bar	<input type="text" value="116"/> psi

Code: 6S00000
F1/241 - 230V 50Hz - 2.0HP 2P



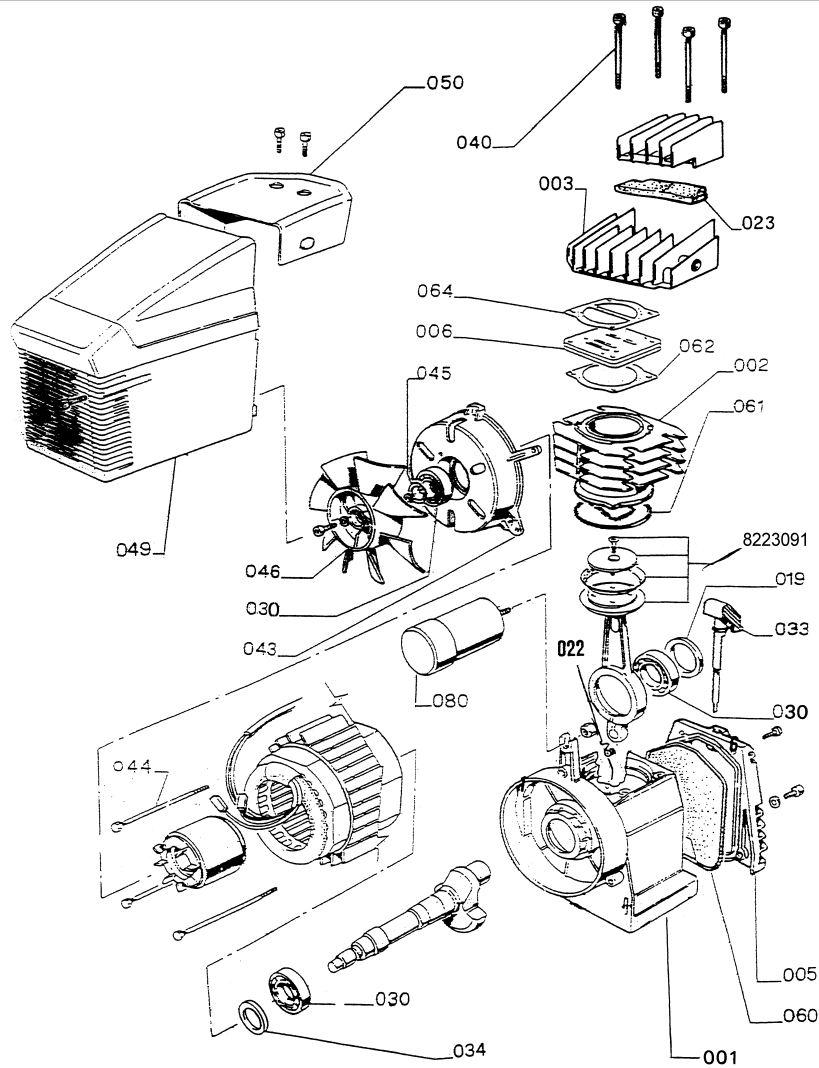
<i>Svc</i>	<i>Ref</i>	<i>Code</i>	<i>Description</i>	<i>Qty</i>	<i>Modified</i>
<input checked="" type="checkbox"/>	000	6R50050	Gasket Kit	1	
<input type="checkbox"/>	001	6P61100	Crankase	1	
<input type="checkbox"/>	001	7161100	Crankase	1	11.04.1999
<input type="checkbox"/>	002	6P30001	Cylinder	1	
<input type="checkbox"/>	003	7361400	Pump head	1	
<input type="checkbox"/>	005	7161300	Sump base	1	
<input checked="" type="checkbox"/>	006	0540051	Valve plate assy.	1	
<input type="checkbox"/>	022	9014009	Oil dipper	1	
<input checked="" type="checkbox"/>	023	7181100	Filter	1	
<input type="checkbox"/>	030	9170060	Bearing	1	28.11.1999
<input type="checkbox"/>	030	9170091	Bearing	1	
<input type="checkbox"/>	030	9170030	Bearing	1	
<input type="checkbox"/>	030	9170097	Bearing	1	
<input type="checkbox"/>	033	9024015	Oil fill plug	1	
<input type="checkbox"/>	034	9163010	Oil seal	1	
<input type="checkbox"/>	040	9011043	Cylinder head bolts	4	
<input type="checkbox"/>	043	6562203	Motor cover	1	11.04.1999
<input type="checkbox"/>	043	6P62200	Motor cover	1	
<input type="checkbox"/>	044	9011040	Motor bolts	3	
<input type="checkbox"/>	045	9140170	Circlip	1	
<input type="checkbox"/>	045	9140160	Circlip	1	
<input type="checkbox"/>	046	9038017	Fan	1	
<input type="checkbox"/>	049	830190A	Cover	1	
<input type="checkbox"/>	050	830130A	Cover plate	1	
<input type="checkbox"/>	080	9067026	Capacitor	1	

Svc = Service Item

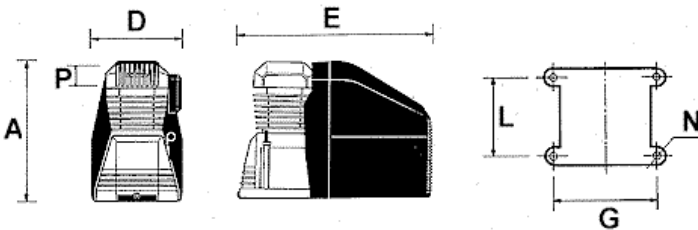
Code:

6S00002

F1/241 - 400V 50Hz - 2.0HP 2P



Dimensions:



In mm

A	B	C	D	E	F	G	L	M	N	P
270	/	/	165	375	/	139	64	/	9	3/8" F

Box Weight: Kg Box Dimensions: W x D x L: x x

Tightening Torques, Cylinder Head:

Bolt Size:	<input type="text" value="M6"/>	
Min Torque:	<input type="text" value="9.3"/>	Nm
Max Torque:	<input type="text" value="11.36"/>	Nm

Technical Data:

Cylinders:	<input type="text" value="1"/>			
Stages:	<input type="text" value="1"/>			
Air Flow:	<input type="text" value="240"/>	L/m in	<input type="text" value="8,5"/>	cfm
Power:	<input type="text" value="1,5"/>	Kw	<input type="text" value="2"/>	HP
Speed:	<input type="text" value="2850"/>	rpm		
Max Pressure:	<input type="text" value="8"/>	Bar	<input type="text" value="116"/>	psi

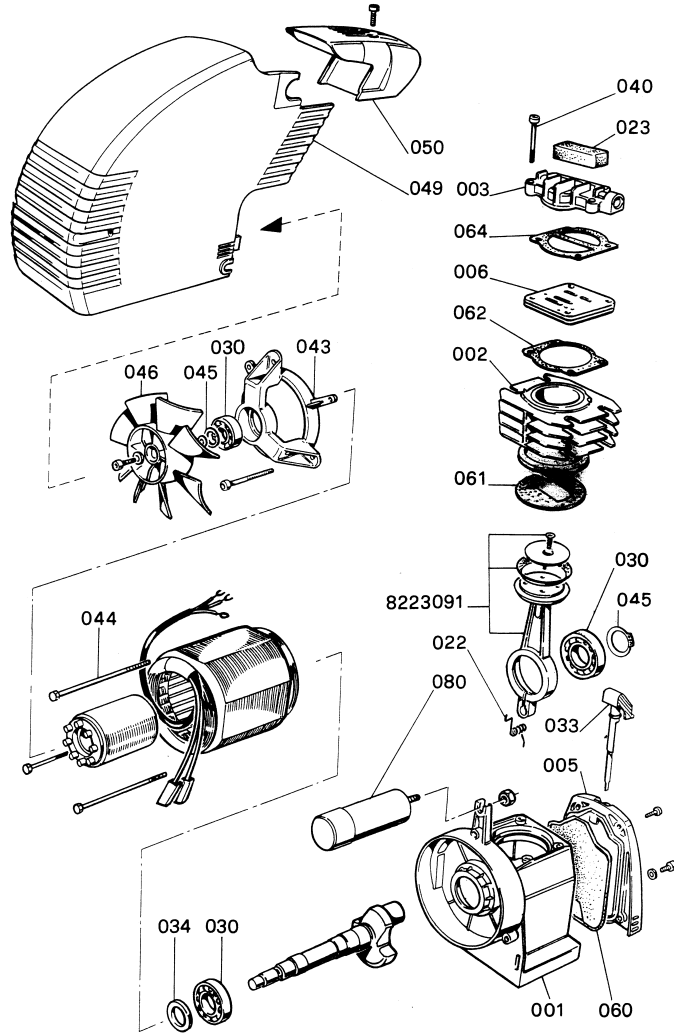
Code: 6S00002
F1/241 - 400V 50Hz - 2.0HP 2P



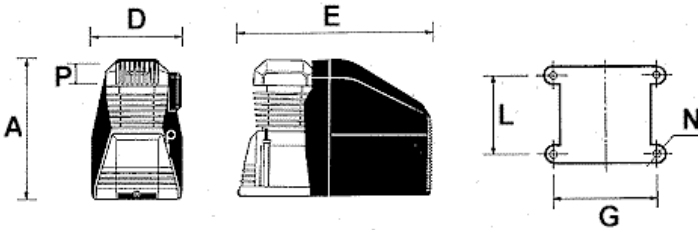
<i>Svc</i>	<i>Ref</i>	<i>Code</i>	<i>Description</i>	<i>Qty</i>	<i>Modified</i>
<input checked="" type="checkbox"/>	000	6R50050	Gasket Kit	1	
<input type="checkbox"/>	001	7161100	Crankase	1	
<input type="checkbox"/>	002	6P30001	Cylinder	1	
<input type="checkbox"/>	003	7361400	Pump head	1	
<input type="checkbox"/>	005	7161300	Sump base	1	
<input checked="" type="checkbox"/>	006	0540051	Valve plate assy.	1	
<input type="checkbox"/>	022	9014009	Oil dipper	1	
<input checked="" type="checkbox"/>	023	7181100	Filter	1	
<input type="checkbox"/>	030	9170091	Bearing	1	
<input type="checkbox"/>	030	9170060	Bearing	1	12.11.2000
<input type="checkbox"/>	030	9170097	Bearing	1	
<input type="checkbox"/>	030	9170030	Bearing	1	
<input type="checkbox"/>	033	9024015	Oil fill plug	1	
<input type="checkbox"/>	034	9163010	Oil seal	1	
<input type="checkbox"/>	040	9011043	Cylinder head bolts	4	
<input type="checkbox"/>	043	6562203	Motor cover	1	
<input type="checkbox"/>	044	9011040	Motor bolts	3	
<input type="checkbox"/>	045	9140170	Circlip	1	
<input type="checkbox"/>	045	9140160	Circlip	1	
<input type="checkbox"/>	046	9038017	Fan	1	
<input type="checkbox"/>	049	830190A	Cover	1	
<input type="checkbox"/>	050	830130A	Cover plate	1	

Svc = Service Item

Code: 6Y00000
OM/221 - 230V 50HP - 1.5HP 2P



Dimensions:



In mm

A	B	C	D	E	F	G	L	M	N	P
270	/	/	165	355	/	139	64	/	9	3/8" F

Box Weight: Kg Box Dimensions: W x D x L: x x

Tightening Torques, Cylinder Head:

Bolt Size:	<input type="text" value="M6"/>
MinTorque:	<input type="text" value="9.3"/> Nm
Max Torque:	<input type="text" value="11.36"/> Nm

Technical Data:

Cylinders:	<input type="text" value="1"/>	
Stages:	<input type="text" value="1"/>	
Air Flow:	<input type="text" value="220"/> L/m in	<input type="text" value="7,8"/> cfm
Power:	<input type="text" value="1,1"/> Kw	<input type="text" value="1,5"/> HP
Speed:	<input type="text" value="2850"/> rpm	
Max Pressure:	<input type="text" value="8"/> Bar	<input type="text" value="116"/> psi

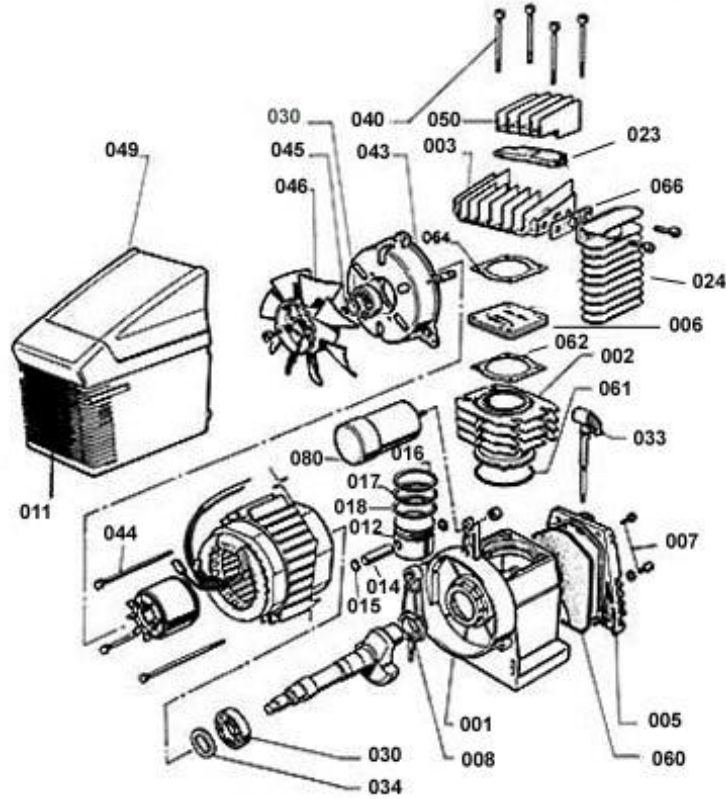
Code: 6Y00000
OM/221 - 230V 50HP - 1.5HP 2P



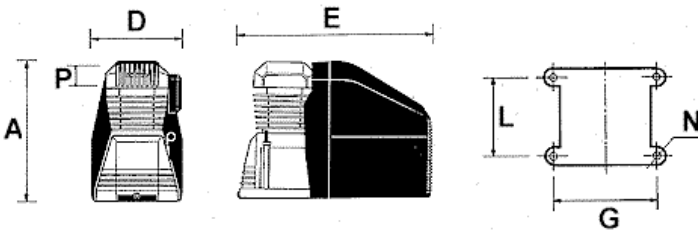
<i>Svc</i>	<i>Ref</i>	<i>Code</i>	<i>Description</i>	<i>Qty</i>	<i>Modified</i>
<input checked="" type="checkbox"/>	000	6R50050	Gasket Kit	1	
<input type="checkbox"/>	001	6P61100	Crankase	1	
<input type="checkbox"/>	002	6P30000	Cylinder	1	
<input type="checkbox"/>	003	7161400	Pump head	1	
<input type="checkbox"/>	005	6T61300	Sump base	1	
<input checked="" type="checkbox"/>	006	0540051	Valve plate assy.	1	
<input type="checkbox"/>	022	9014009	Oil dipper	1	
<input checked="" type="checkbox"/>	023	7181100	Filter	1	
<input type="checkbox"/>	030	9170091	Bearing	1	
<input type="checkbox"/>	030	9170030	Bearing	1	
<input type="checkbox"/>	030	9170097	Bearing	1	
<input type="checkbox"/>	030	9170060	Bearing	1	12.11.2000
<input type="checkbox"/>	033	9024015	Oil fill plug	1	
<input type="checkbox"/>	034	9163010	Oil seal	1	
<input type="checkbox"/>	040	9011043	Cylinder head bolts	4	
<input type="checkbox"/>	043	6P62200	Motor cover	1	
<input type="checkbox"/>	044	9011044	Motor bolts	3	
<input type="checkbox"/>	045	9140170	Circlip	1	
<input type="checkbox"/>	045	9140160	Circlip	1	
<input type="checkbox"/>	046	9038017	Fan	1	
<input type="checkbox"/>	049	831810D	Cover	1	
<input type="checkbox"/>	050	831840D	Cover plate	1	
<input type="checkbox"/>	080	9067026	Capacitor	1	

Svc = Service Item

Code: 75A0000
F1/260 - 230V 50Hz - 2.5HP



Dimensions:



In mm

A	B	C	D	E	F	G	L	M	N	P
270	/	/	165	375	/	139	64	/	9	1/2" M

Box Weight: Kg Box Dimensions: W x D x L: x x

Tightening Torques, Cylinder Head:

Bolt Size:	<input type="text" value="M6"/>	
MinTorque:	<input type="text" value="9.3"/>	Nm
Max Torque:	<input type="text" value="11.36"/>	Nm

Technical Data:

Cylinders:	<input type="text" value="1"/>		
Stages:	<input type="text" value="1"/>		
Air Flow:	<input type="text" value="260"/>	L/m in	<input type="text" value="9,2"/> cfm
Power:	<input type="text" value="1,8"/>	Kw	<input type="text" value="2,5"/> HP
Speed:	<input type="text" value="2850"/>	rpm	
Max Pressure:	<input type="text" value="8"/>	Bar	<input type="text" value="116"/> psi

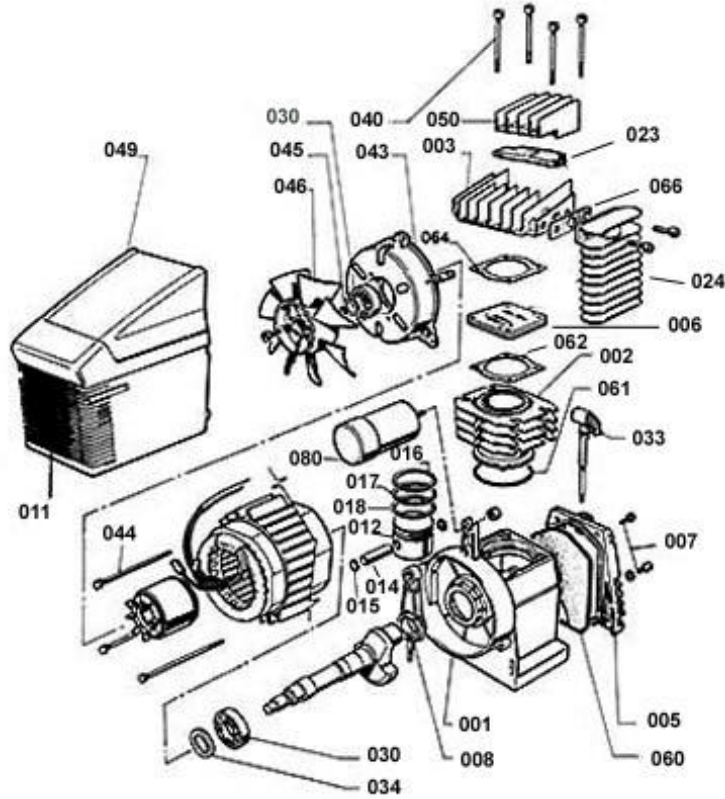
Code: 75A0000
F1/260 - 230V 50Hz - 2.5HP



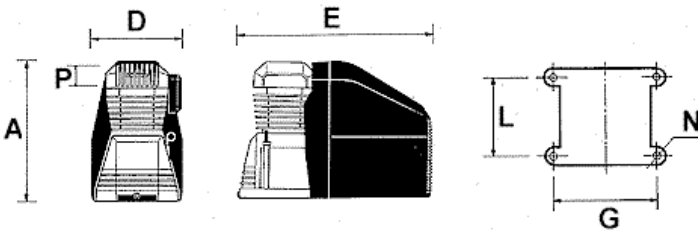
<i>Svc</i>	<i>Ref</i>	<i>Code</i>	<i>Description</i>	<i>Qty</i>	<i>Modified</i>
<input checked="" type="checkbox"/>	000	7850050	Gasket Kit	1	
<input type="checkbox"/>	001	7161100	Crankase	1	
<input type="checkbox"/>	002	7230000	Cylinder	1	
<input type="checkbox"/>	003	7261400	Pump head	1	
<input type="checkbox"/>	005	7161300	Sump base	1	
<input type="checkbox"/>	006	0540050	Valve plate assy.	1	01.12.1996
<input checked="" type="checkbox"/>	006	0540051	Valve plate assy.	1	
<input type="checkbox"/>	008	7110100	Connecting rod	1	
<input type="checkbox"/>	012	7921100	Piston D. Pin D.	1	
<input type="checkbox"/>	014	6721200	Pin	1	
<input type="checkbox"/>	015	9140020	Circlip	2	
<input type="checkbox"/>	016	9020017	Piston ring AC	1	
<input type="checkbox"/>	017	9020034	Piston ring ROS	1	
<input type="checkbox"/>	018	9020064	Piston ring ROF	1	
<input checked="" type="checkbox"/>	023	7181100	Filter	1	
<input type="checkbox"/>	024	1070100	Aftercooler	1	13.04.1998
<input type="checkbox"/>	024	8223096	Aftercooler	1	
<input type="checkbox"/>	030	9170091	Bearing	1	
<input type="checkbox"/>	030	9170030	Bearing	1	
<input type="checkbox"/>	033	9024022	Oil fill plug	1	
<input type="checkbox"/>	033	9024017	Oil fill plug	1	30.04.1999
<input type="checkbox"/>	034	9163010	Oil seal	1	
<input type="checkbox"/>	040	9011043	Cylinder head bolts	4	30.06.2000
<input type="checkbox"/>	040	9101124	Cylinder head bolts	4	
<input type="checkbox"/>	043	6562203	Motor cover	1	
<input type="checkbox"/>	044	9011041	Motor bolts	3	
<input type="checkbox"/>	045	9140160	Circlip	1	
<input type="checkbox"/>	046	9038017	Fan	1	
<input type="checkbox"/>	049	830180A	Cover	1	
<input type="checkbox"/>	050	830130A	Cover plate	1	
<input type="checkbox"/>	080	9067015	Capacitor	1	
<input type="checkbox"/>	112	9053003	Connection	1	13.04.1998

Svc = Service Item

Code: 75A0002
F1/260/T - 400V 50Hz - 2.5HP



Dimensions:



In mm

A	B	C	D	E	F	G	L	M	N	P
270	/	/	165	375	/	139	64	/	9	1/2" M

Box Weight: Kg Box Dimensions: W x D x L: x x

Tightening Torques, Cylinder Head:

Bolt Size:	<input type="text" value="M6"/>	
Min Torque:	<input type="text" value="9.3"/>	Nm
Max Torque:	<input type="text" value="11.36"/>	Nm

Technical Data:

Cylinders:	<input type="text" value="1"/>		
Stages:	<input type="text" value="1"/>		
Air Flow:	<input type="text" value="260"/>	L/m in	<input type="text" value="9,2"/> cfm
Power:	<input type="text" value="1,8"/>	Kw	<input type="text" value="2,5"/> HP
Speed:	<input type="text" value="2850"/>	rpm	
Max Pressure:	<input type="text" value="8"/>	Bar	<input type="text" value="116"/> psi

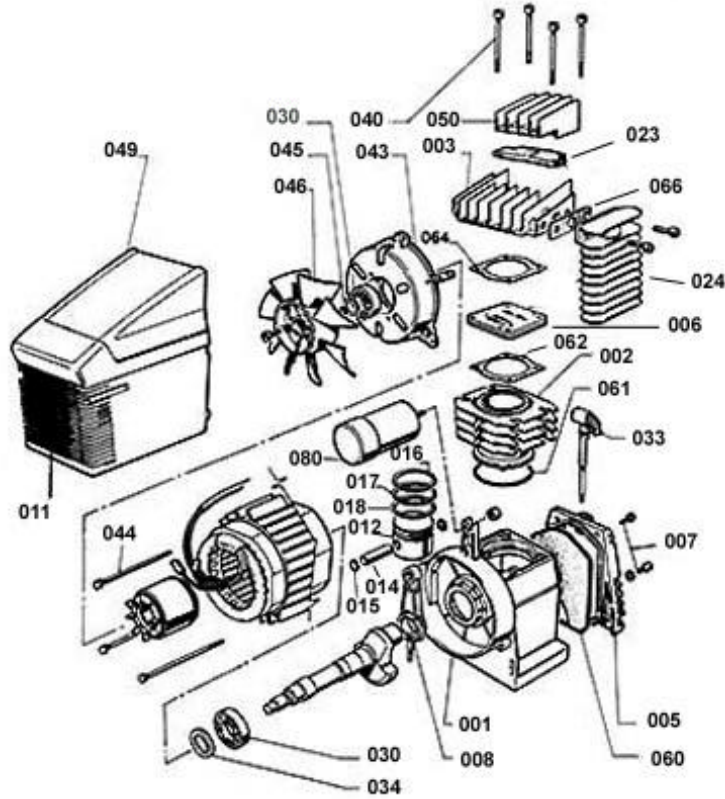
Code: 75A0002
F1/260/T - 400V 50Hz - 2.5HP



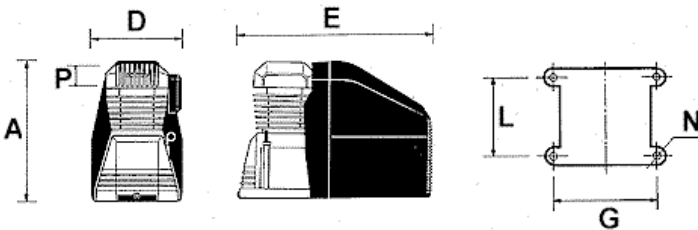
<i>Svc</i>	<i>Ref</i>	<i>Code</i>	<i>Description</i>	<i>Qty</i>	<i>Modified</i>
<input checked="" type="checkbox"/>	000	7850050	Gasket Kit	1	
<input type="checkbox"/>	001	7161100	Crankase	1	
<input type="checkbox"/>	002	7230000	Cylinder	1	
<input type="checkbox"/>	003	7261400	Pump head	1	
<input type="checkbox"/>	005	7161300	Sump base	1	
<input type="checkbox"/>	006	0540050	Valve plate assy.	1	01.12.1996
<input type="checkbox"/>	006	7940050	Valve plate assy.	1	01.09.1996
<input checked="" type="checkbox"/>	006	0540051	Valve plate assy.	1	
<input type="checkbox"/>	006	7940051	Valve plate assy.	1	03.11.1996
<input type="checkbox"/>	008	7110100	Connecting rod	1	
<input type="checkbox"/>	012	7921100	Piston D. Pin D.	1	
<input type="checkbox"/>	014	6721200	Pin	1	
<input type="checkbox"/>	015	9141010	Circlip	2	28.02.1995
<input type="checkbox"/>	015	9140020	Circlip	2	
<input type="checkbox"/>	016	9020017	Piston ring AC	1	
<input type="checkbox"/>	017	9020034	Piston ring ROS	1	
<input type="checkbox"/>	018	9020064	Piston ring ROF	1	
<input checked="" type="checkbox"/>	023	7181100	Filter	1	
<input type="checkbox"/>	023	7281100	Filter	1	01.06.1996
<input type="checkbox"/>	024	8223095	Aftercooler	1	
<input type="checkbox"/>	024	1070100	Aftercooler	1	13.04.1998
<input type="checkbox"/>	024	8223096	Aftercooler	1	09.07.2000
<input type="checkbox"/>	030	9170030	Bearing	1	
<input type="checkbox"/>	030	9170091	Bearing	1	
<input type="checkbox"/>	033	9024022	Oil fill plug	1	
<input type="checkbox"/>	033	9024017	Oil fill plug	1	30.04.1999
<input type="checkbox"/>	034	9163010	Oil seal	1	
<input type="checkbox"/>	040	9101124	Cylinder head bolts	4	
<input type="checkbox"/>	040	9011043	Cylinder head bolts	4	30.06.2000
<input type="checkbox"/>	043	6562201	Motor cover	1	31.12.1995
<input type="checkbox"/>	043	6562203	Motor cover	1	
<input type="checkbox"/>	044	9011040	Motor bolts	3	
<input type="checkbox"/>	045	9140160	Circlip	1	
<input type="checkbox"/>	046	9038017	Fan	1	
<input type="checkbox"/>	049	830110A	Cover	1	22.01.1995
<input type="checkbox"/>	049	830190A	Cover	1	
<input type="checkbox"/>	050	830130A	Cover plate	1	
<input type="checkbox"/>	112	9053038	Connection	1	
<input type="checkbox"/>	112	9053003	Connection	1	13.04.1998

Svc = Service Item

Code: 76A0000
F1/310 - 230V 50Hz - 3.0HP



Dimensions:



In mm

A	B	C	D	E	F	G	L	M	N	P
270	/	/	165	375	/	139	64	/	9	1/2" M

Box Weight: Kg Box Dimensions: W x D x L: x x

Tightening Torques, Cylinder Head:

Bolt Size:	<input type="text" value="M6"/>	
Min Torque:	<input type="text" value="9.3"/>	Nm
Max Torque:	<input type="text" value="11.36"/>	Nm

Technical Data:

Cylinders:	<input type="text" value="1"/>		
Stages:	<input type="text" value="1"/>		
Air Flow:	<input type="text" value="310"/>	L/m in	<input type="text" value="10,9"/> cfm
Power:	<input type="text" value="2,2"/>	Kw	<input type="text" value="3"/> HP
Speed:	<input type="text" value="2850"/>	rpm	
Max Pressure:	<input type="text" value="8"/>	Bar	<input type="text" value="116"/> psi

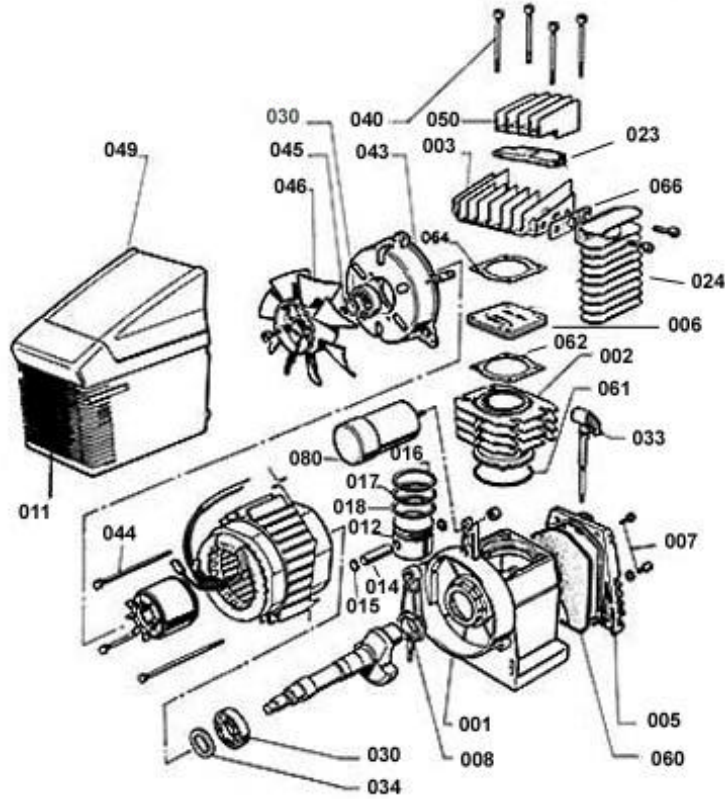
Code: 76A0000
F1/310 - 230V 50Hz - 3.0HP



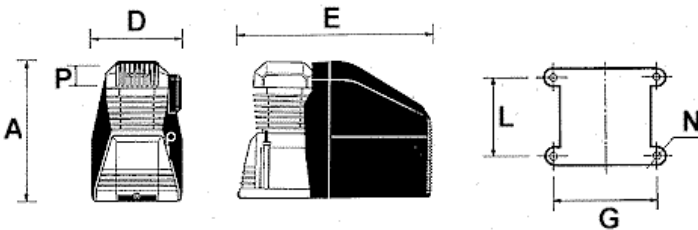
<i>Svc</i>	<i>Ref</i>	<i>Code</i>	<i>Description</i>	<i>Qty</i>	<i>Modified</i>
<input checked="" type="checkbox"/>	000	7350050	Gasket Kit	1	
<input type="checkbox"/>	001	7161100	Crankase	1	
<input type="checkbox"/>	002	7330000	Cylinder	1	
<input type="checkbox"/>	003	7261400	Pump head	1	
<input type="checkbox"/>	005	7161300	Sump base	1	
<input type="checkbox"/>	006	7940050	Valve plate assy.	1	01.09.1996
<input type="checkbox"/>	006	7940051	Valve plate assy.	1	03.11.1996
<input type="checkbox"/>	006	0540050	Valve plate assy.	1	01.12.1996
<input checked="" type="checkbox"/>	006	0540051	Valve plate assy.	1	
<input type="checkbox"/>	008	7310100	Connecting rod	1	
<input type="checkbox"/>	008	9142101	Connecting rod	2	01.09.1996
<input type="checkbox"/>	012	1421100	Piston D. Pin D.	1	
<input type="checkbox"/>	014	7921200	Pin	1	
<input type="checkbox"/>	015	9140040	Circlip	2	
<input type="checkbox"/>	016	9020011	Piston ring AC	1	
<input type="checkbox"/>	017	9020041	Piston ring ROS	1	
<input type="checkbox"/>	018	9020071	Piston ring ROF	1	
<input checked="" type="checkbox"/>	023	7181100	Filter	1	
<input type="checkbox"/>	023	7281100	Filter	1	01.06.1996
<input type="checkbox"/>	024	8223096	Aftercooler	1	
<input type="checkbox"/>	024	1070100	Aftercooler	1	13.04.1998
<input type="checkbox"/>	030	9170091	Bearing	1	
<input type="checkbox"/>	030	9170030	Bearing	1	
<input type="checkbox"/>	033	9024017	Oil fill plug	1	30.04.1999
<input type="checkbox"/>	033	9024022	Oil fill plug	1	
<input type="checkbox"/>	034	9163010	Oil seal	1	
<input type="checkbox"/>	040	9101124	Cylinder head bolts	4	
<input type="checkbox"/>	040	9011043	Cylinder head bolts	4	30.06.2000
<input type="checkbox"/>	043	6562203	Motor cover	1	
<input type="checkbox"/>	043	6562201	Motor cover	1	31.12.1995
<input type="checkbox"/>	044	9011034	Motor bolts	3	30.04.1995
<input type="checkbox"/>	044	9011039	Motor bolts	3	
<input type="checkbox"/>	045	9140160	Circlip	1	
<input type="checkbox"/>	046	9038017	Fan	1	
<input type="checkbox"/>	049	830110A	Cover	1	
<input type="checkbox"/>	050	830130A	Cover plate	1	
<input type="checkbox"/>	080	9067028	Capacitor	1	
<input type="checkbox"/>	112	9053003	Connection	1	13.04.1998

Svc = Service Item

Code: 76A0002
F1/310 - 400V 50Hz - 3.0HP



Dimensions:



In mm

A	B	C	D	E	F	G	L	M	N	P
270	/	/	165	375	/	139	64	/	9	1/2" M

Box Weight: Kg Box Dimensions: W x D x L: x x

Tightening Torques, Cylinder Head:

Bolt Size:	<input type="text" value="M6"/>	
Min Torque:	<input type="text" value="9.3"/>	Nm
Max Torque:	<input type="text" value="11.36"/>	Nm

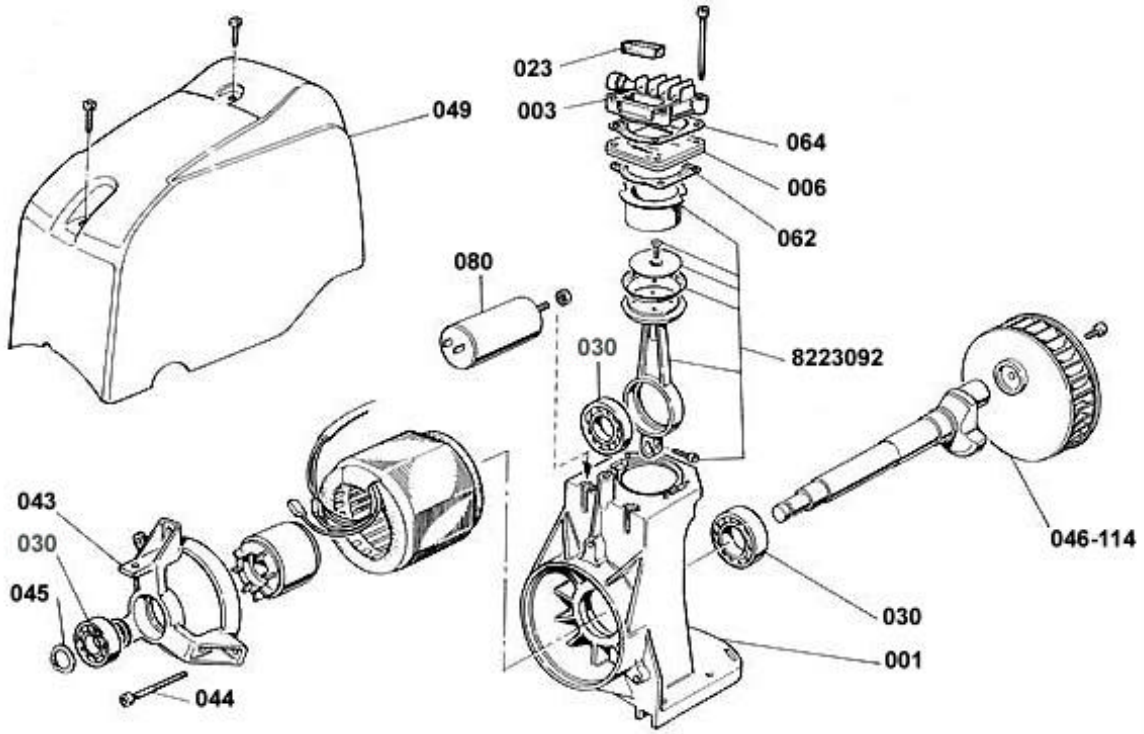
Technical Data:

Cylinders:	<input type="text" value="1"/>		
Stages:	<input type="text" value="1"/>		
Air Flow:	<input type="text" value="310"/>	L/m in	<input type="text" value="10,9"/> cfm
Power:	<input type="text" value="2,2"/>	Kw	<input type="text" value="3"/> HP
Speed:	<input type="text" value="2850"/>	rpm	
Max Pressure:	<input type="text" value="8"/>	Bar	<input type="text" value="116"/> psi

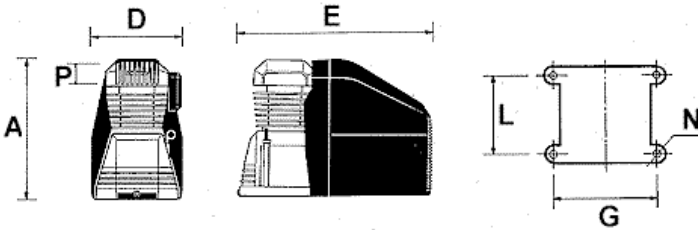
<i>Svc</i>	<i>Ref</i>	<i>Code</i>	<i>Description</i>	<i>Qty</i>	<i>Modified</i>
<input checked="" type="checkbox"/>	000	7350050	Gasket Kit	1	
<input type="checkbox"/>	001	7161100	Crankase	1	
<input type="checkbox"/>	002	7330000	Cylinder	1	
<input type="checkbox"/>	003	7261400	Pump head	1	
<input type="checkbox"/>	005	7161300	Sump base	1	
<input type="checkbox"/>	006	7940051	Valve plate assy.	1	03.11.1996
<input type="checkbox"/>	006	7940050	Valve plate assy.	1	01.09.1996
<input type="checkbox"/>	006	0540050	Valve plate assy.	1	01.12.1996
<input checked="" type="checkbox"/>	006	0540051	Valve plate assy.	1	
<input type="checkbox"/>	008	7310100	Connecting rod	1	
<input type="checkbox"/>	008	9142101	Connecting rod	2	18.02.1996
<input type="checkbox"/>	012	1421100	Piston D. Pin D.	1	
<input type="checkbox"/>	014	7921200	Pin	1	
<input type="checkbox"/>	015	9140040	Circlip	2	
<input type="checkbox"/>	016	9020011	Piston ring AC	1	
<input type="checkbox"/>	017	9020041	Piston ring ROS	1	
<input type="checkbox"/>	018	9020071	Piston ring ROF	1	
<input type="checkbox"/>	023	7281100	Filter	1	01.06.1996
<input checked="" type="checkbox"/>	023	7181100	Filter	1	
<input type="checkbox"/>	024	8223096	Aftercooler	1	
<input type="checkbox"/>	024	1070100	Aftercooler	1	13.04.1998
<input type="checkbox"/>	030	9170091	Bearing	1	
<input type="checkbox"/>	030	9170030	Bearing	1	
<input type="checkbox"/>	033	9024017	Oil fill plug	1	30.04.1999
<input type="checkbox"/>	033	9024022	Oil fill plug	1	
<input type="checkbox"/>	034	9163010	Oil seal	1	
<input type="checkbox"/>	040	9011043	Cylinder head bolts	4	30.06.2000
<input type="checkbox"/>	040	9101124	Cylinder head bolts	4	
<input type="checkbox"/>	043	6562203	Motor cover	1	
<input type="checkbox"/>	044	9011039	Motor bolts	3	
<input type="checkbox"/>	045	9140160	Circlip	1	
<input type="checkbox"/>	046	9038017	Fan	1	
<input type="checkbox"/>	049	830110A	Cover	1	
<input type="checkbox"/>	050	830130A	Cover plate	1	
<input type="checkbox"/>	112	9053003	Connection	1	13.04.1998

Svc = Service Item

Code: A300000
OM 231 - 230V 50Hz - 2.0HP



Dimensions:



In mm

A	B	C	D	E	F	G	L	M	N	P
280	/	/	200	360	/	139	64	/	9	3/8" F

Box Weight: Kg Box Dimensions: W x D x L: x x

Tightening Torques, Cylinder Head:

Bolt Size:	<input type="text" value="M6"/>	
MinTorque:	<input type="text" value="9.3"/>	Nm
Max Torque:	<input type="text" value="11.36"/>	Nm

Technical Data:

Cylinders:	<input type="text" value="1"/>		
Stages:	<input type="text" value="1"/>		
Air Flow:	<input type="text" value="230"/>	L/m in	<input type="text" value="8,1"/> cfm
Power:	<input type="text" value="1,5"/>	Kw	<input type="text" value="2"/> HP
Speed:	<input type="text" value="2850"/>	rpm	
Max Pressure:	<input type="text" value="8"/>	Bar	<input type="text" value="116"/> psi

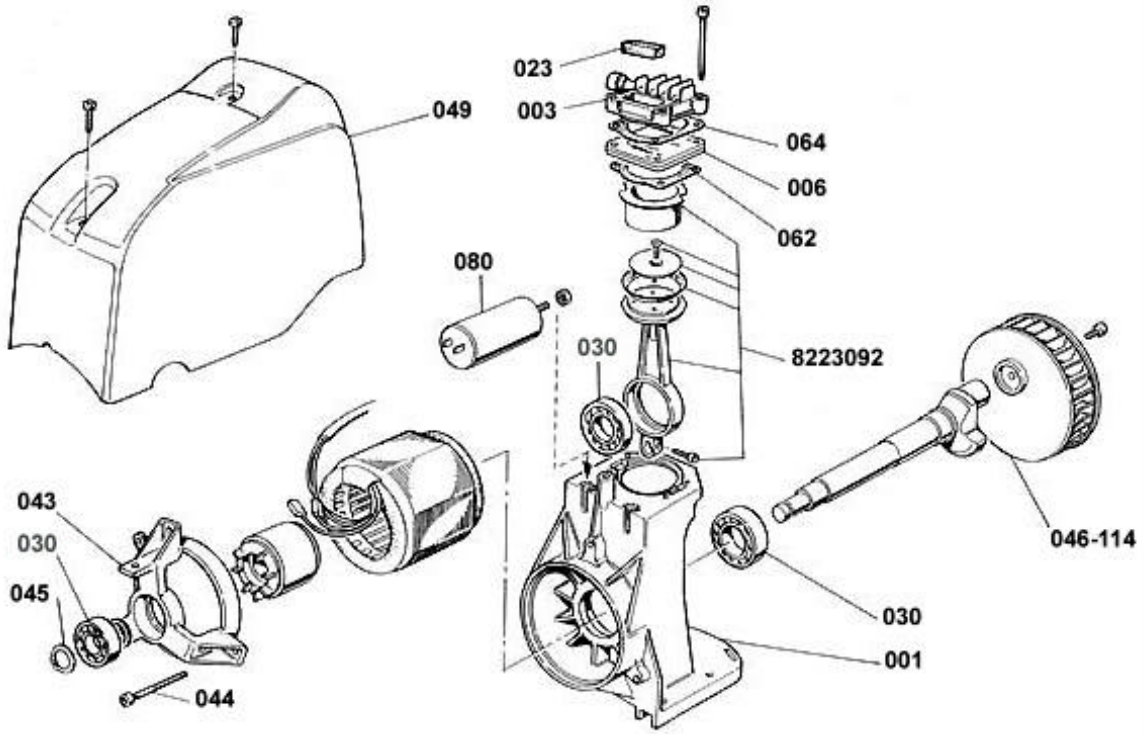
Code: A300000
OM 231 - 230V 50Hz - 2.0HP



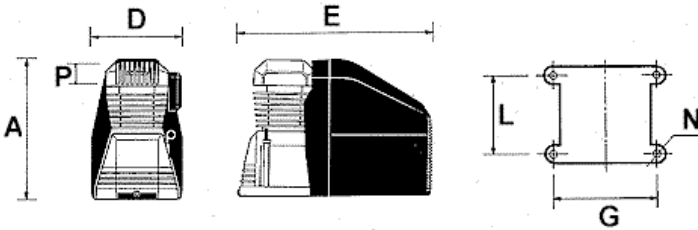
<i>Svc</i>	<i>Ref</i>	<i>Code</i>	<i>Description</i>	<i>Qty</i>	<i>Modified</i>
<input type="checkbox"/>	001	0361101	Crankase	1	
<input type="checkbox"/>	001	0361100	Crankase	1	18.04.1999
<input type="checkbox"/>	003	7161400	Pump head	1	
<input checked="" type="checkbox"/>	006	0540051	Valve plate assy.	1	
<input checked="" type="checkbox"/>	023	7181100	Filter	1	
<input type="checkbox"/>	030	9170091	Bearing	1	
<input type="checkbox"/>	030	9170085	Bearing	1	
<input type="checkbox"/>	030	9170097	Bearing	1	
<input type="checkbox"/>	043	0462200	Motor cover	1	
<input type="checkbox"/>	044	9011040	Motor bolts	3	
<input type="checkbox"/>	045	9140160	Circlip	1	
<input type="checkbox"/>	046	9038129	Fan	1	
<input type="checkbox"/>	049	831100D	Cover	1	
<input type="checkbox"/>	062	7350300	Cylinder - plate gasket	1	
<input type="checkbox"/>	064	6750400	Plate - head gasket	1	
<input type="checkbox"/>	080	9067026	Capacitor	1	

Svc = Service Item

Code: A400000
OM 200 - 230V 50Hz - 1.5HP



Dimensions:



In mm

A	B	C	D	E	F	G	L	M	N	P
280	/	/	200	360	/	139	64	/	9	3/8" F

Box Weight: Kg Box Dimensions: W x D x L: x x

Tightening Torques, Cylinder Head:

Bolt Size:	<input type="text" value="M6"/>
MinTorque:	<input type="text" value="9.3"/> Nm
Max Torque:	<input type="text" value="11.36"/> Nm

Technical Data:

Cylinders:	<input type="text" value="1"/>
Stages:	<input type="text" value="1"/>
Air Flow:	<input type="text" value="200"/> L/m in <input type="text" value="7,1"/> cfm
Power:	<input type="text" value="1,1"/> Kw <input type="text" value="1,5"/> HP
Speed:	<input type="text" value="2850"/> rpm
Max Pressure:	<input type="text" value="8"/> Bar <input type="text" value="116"/> psi

Code: **A400000**
OM 200 - 230V 50Hz - 1.5HP

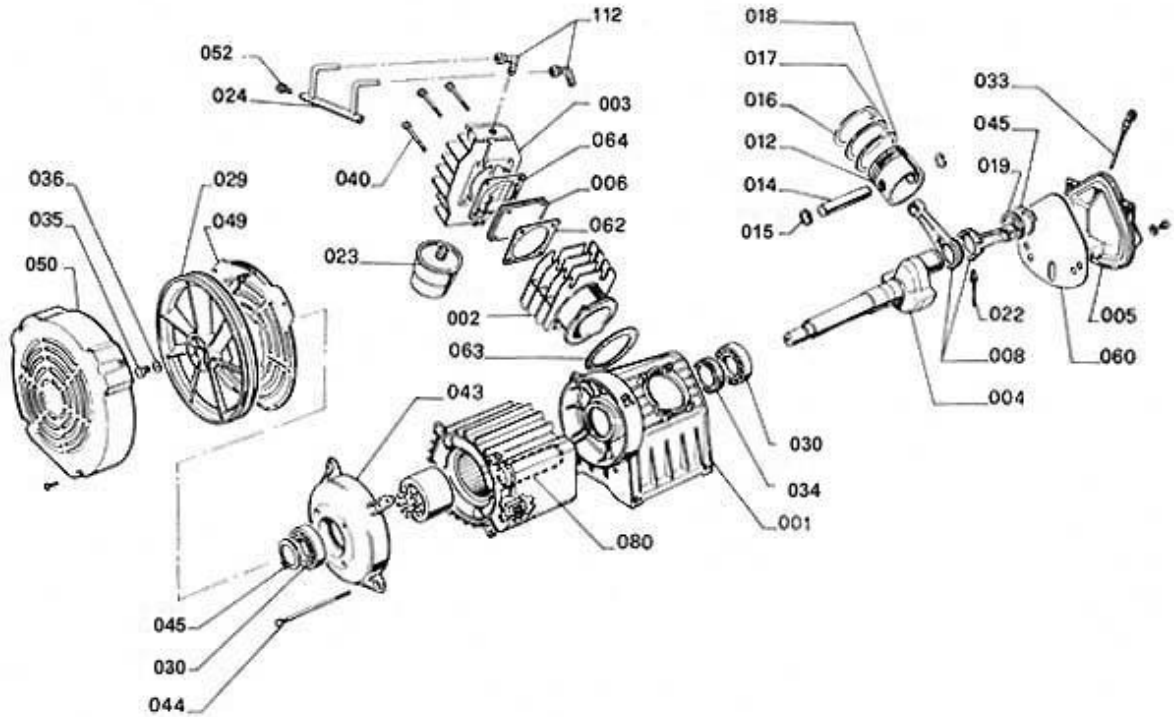


<i>Svc</i>	<i>Ref</i>	<i>Code</i>	<i>Description</i>	<i>Qty</i>	<i>Modified</i>
<input type="checkbox"/>	001	0461101	Crankase	1	
<input type="checkbox"/>	001	0461100	Crankase	1	18.04.1999
<input type="checkbox"/>	003	7161400	Pump head	1	
<input checked="" type="checkbox"/>	006	0540051	Valve plate assy.	1	
<input checked="" type="checkbox"/>	023	7181100	Filter	1	
<input type="checkbox"/>	030	9170085	Bearing	1	
<input type="checkbox"/>	030	9170091	Bearing	1	
<input type="checkbox"/>	030	9170097	Bearing	1	
<input type="checkbox"/>	043	0462200	Motor cover	1	
<input type="checkbox"/>	044	9011044	Motor bolts	3	
<input type="checkbox"/>	045	9140160	Circlip	1	
<input type="checkbox"/>	046	9038128	Fan	1	
<input type="checkbox"/>	049	831100D	Cover	1	
<input type="checkbox"/>	062	7350300	Cylinder - plate gasket	1	
<input type="checkbox"/>	064	6750400	Plate - head gasket	1	
<input type="checkbox"/>	080	9067026	Capacitor	1	
<input type="checkbox"/>	114	9053796	Fan retaining bolt	1	

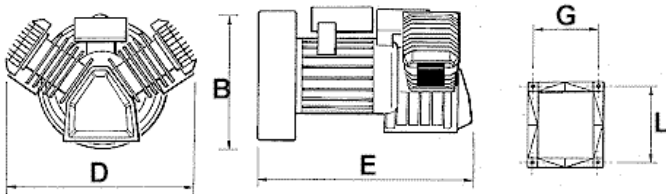
Svc = Service Item

Code: 2C00000

GV 24 - 230V 50Hz



Dimensions:



In mm

A	B	C	D	E	F	G	L	M	N	P
	350	/	380	495	/	130	156	/	9	1/2" F

Box Weight: 24 Kg Box Dimensions: W x D x L: 406 x 501 x 377

Tightening Torques, Cylinder Head:

Bolt Size:	M6	
Min Torque:	9.3	Nm
Max Torque:	11.36	Nm

Technical Data:

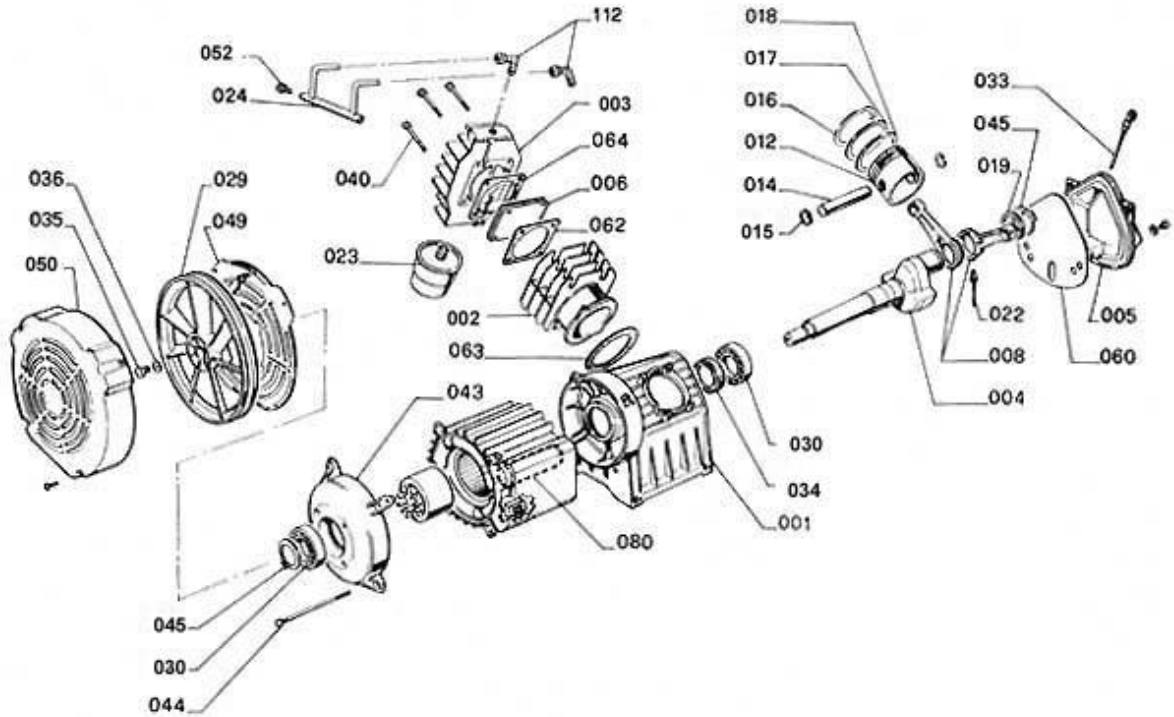
Cylinders:	2		
Stages:	1		
Air Flow:	265	L/m in	9,4 cfm
Power:	1,5	Kw	2 HP
Speed:	1450	rpm	
Max Pressure:	9	Bar	131 psi

<i>Svc</i>	<i>Ref</i>	<i>Code</i>	<i>Description</i>	<i>Qty</i>	<i>Modified</i>
<input checked="" type="checkbox"/>	000	3N50050	Gasket Kit	1	
<input type="checkbox"/>	001	3N60100	Crankase	1	
<input type="checkbox"/>	002	1730000	Cylinder	2	
<input type="checkbox"/>	003	1761401	Pump head	2	
<input type="checkbox"/>	004	3N60200	Crankshaft	1	
<input type="checkbox"/>	005	3N60300	Sump base	1	
<input type="checkbox"/>	006	7940051	Valve plate assy.	2	03.11.1996
<input checked="" type="checkbox"/>	006	0540051	Valve plate assy.	2	
<input type="checkbox"/>	006	0540050	Valve plate assy.	2	30.11.1996
<input type="checkbox"/>	008	2N10200	Connecting rod	1	
<input type="checkbox"/>	008	2N10100	Connecting rod	1	
<input type="checkbox"/>	008	2V10200	Connecting rod	1	15.09.1996
<input type="checkbox"/>	008	2V10100	Connecting rod	1	15.09.1996
<input type="checkbox"/>	012	692110B	Piston D. Pin D.	2	
<input type="checkbox"/>	014	6521200	Pin	2	
<input type="checkbox"/>	015	9140020	Circlip	4	
<input type="checkbox"/>	016	9020039	Piston ring AC	2	
<input type="checkbox"/>	017	9020051	Piston ring ROS	2	
<input type="checkbox"/>	018	9020068	Piston ring ROF	2	
<input type="checkbox"/>	019	9004031		1	
<input type="checkbox"/>	022	9014006	Oil dipper	1	
<input checked="" type="checkbox"/>	023	6581000	Filter	2	
<input type="checkbox"/>	024	9053661	Aftercooler	1	
<input type="checkbox"/>	029	2600100	Fly wheel	1	
<input type="checkbox"/>	030	9170090	Bearing	1	
<input type="checkbox"/>	030	9170085	Bearing	1	
<input type="checkbox"/>	030	9170086	Bearing	1	01.09.1996
<input type="checkbox"/>	033	9024020	Oil fill plug	1	
<input type="checkbox"/>	034	9163030	Oil seal	1	
<input type="checkbox"/>	036	9004008	Fly wheel washer	1	
<input type="checkbox"/>	040	9011043	Cylinder head bolts	8	30.06.2000
<input type="checkbox"/>	040	9011048	Cylinder head bolts	8	
<input type="checkbox"/>	040	9101124	Cylinder head bolts	8	04.08.1996
<input type="checkbox"/>	043	3N60400	Motor cover	1	
<input type="checkbox"/>	044	9067182	Motor bolts	4	
<input type="checkbox"/>	045	9140170	Circlip	1	
<input type="checkbox"/>	045	9140130	Circlip	1	
<input type="checkbox"/>	049	8356100	Cover	1	
<input type="checkbox"/>	050	8356200	Cover plate	1	
<input type="checkbox"/>	052	9053555	Valve	1	
<input type="checkbox"/>	112	9053005	Connection	2	

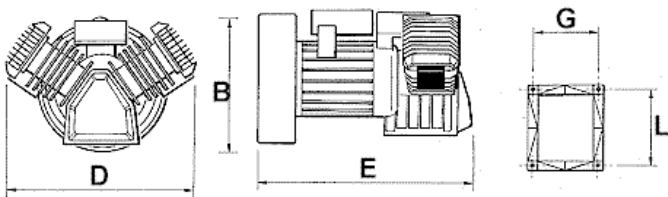
Svc = Service Item

Code: 2C00001

GV 24 - 400V 50Hz - 4P



Dimensions:



In mm

A	B	C	D	E	F	G	L	M	N	P
	350	/	380	495	/	130	156	/	9	1/2" F

Box Weight: Kg Box Dimensions: W x D x L: x x

Tightening Torques, Cylinder Head:

Bolt Size:	<input type="text" value="M6"/>	
Min Torque:	<input type="text" value="9.3"/>	Nm
Max Torque:	<input type="text" value="11.36"/>	Nm

Technical Data:

Cylinders:	<input type="text" value="2"/>			
Stages:	<input type="text" value="1"/>			
Air Flow:	<input type="text" value="265"/>	L/m in	<input type="text" value="9,4"/>	cfm
Power:	<input type="text" value="1,5"/>	Kw	<input type="text" value="2"/>	HP
Speed:	<input type="text" value="1450"/>	rpm		
Max Pressure:	<input type="text" value="9"/>	Bar	<input type="text" value="131"/>	psi

Code: 2C00001

GV 24 - 400V 50Hz - 4P

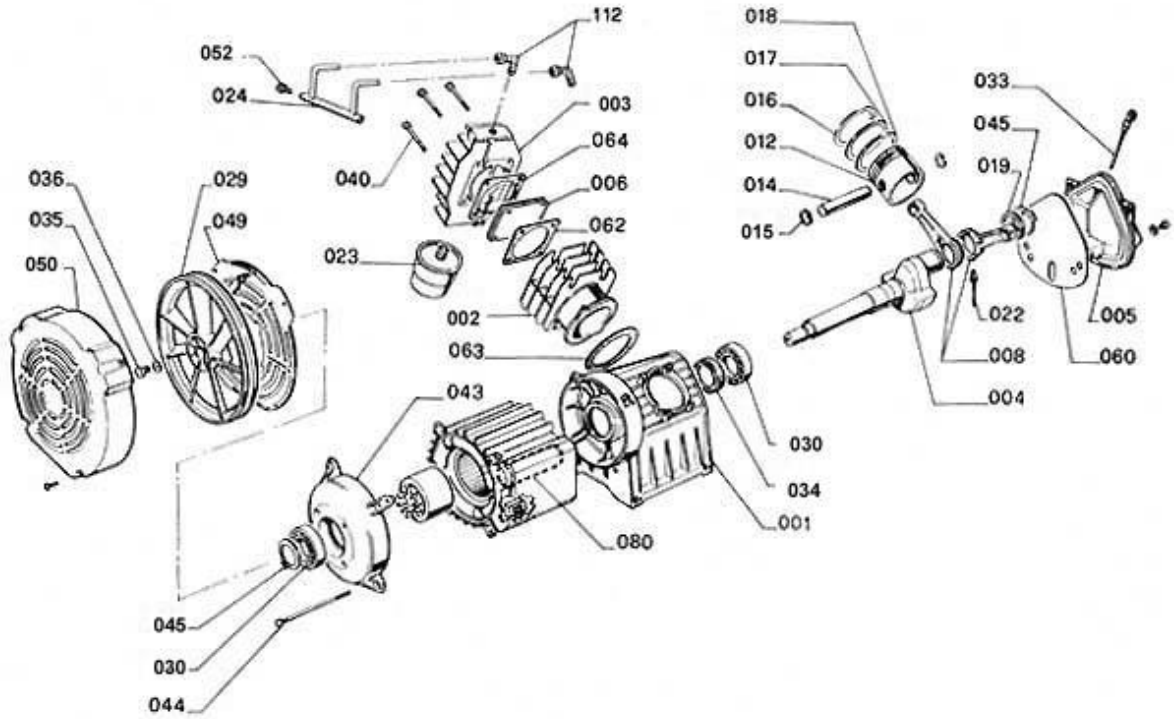


<i>Svc</i>	<i>Ref</i>	<i>Code</i>	<i>Description</i>	<i>Qty</i>	<i>Modified</i>
<input checked="" type="checkbox"/>	000	3N50050	Gasket Kit	1	
<input type="checkbox"/>	001	3N60100	Crankase	1	
<input type="checkbox"/>	002	1730000	Cylinder	2	
<input type="checkbox"/>	003	1761401	Pump head	2	
<input type="checkbox"/>	004	3N60200	Crankshaft	1	
<input type="checkbox"/>	005	3N60300	Sump base	1	
<input type="checkbox"/>	006	0540050	Valve plate assy.	2	30.11.1996
<input type="checkbox"/>	006	7940051	Valve plate assy.	2	03.11.1996
<input checked="" type="checkbox"/>	006	0540051	Valve plate assy.	2	
<input type="checkbox"/>	008	2N10200	Connecting rod	1	
<input type="checkbox"/>	008	2N10100	Connecting rod	1	
<input type="checkbox"/>	008	2V10100	Connecting rod	1	15.09.1996
<input type="checkbox"/>	008	2V10200	Connecting rod	1	15.09.1996
<input type="checkbox"/>	012	692110B	Piston D. Pin D.	2	
<input type="checkbox"/>	014	6521200	Pin	2	
<input type="checkbox"/>	015	9140020	Circlip	4	
<input type="checkbox"/>	016	9020039	Piston ring AC	2	
<input type="checkbox"/>	017	9020051	Piston ring ROS	2	
<input type="checkbox"/>	018	9020068	Piston ring ROF	2	
<input type="checkbox"/>	019	9004031		1	
<input type="checkbox"/>	022	9014006	Oil dipper	1	
<input checked="" type="checkbox"/>	023	6581000	Filter	2	
<input type="checkbox"/>	024	9053661	Aftercooler	1	
<input type="checkbox"/>	029	2600100	Fly wheel	1	
<input type="checkbox"/>	030	9170085	Bearing	1	
<input type="checkbox"/>	030	9170090	Bearing	1	
<input type="checkbox"/>	030	9170086	Bearing	1	01.09.1996
<input type="checkbox"/>	033	9024020	Oil fill plug	1	
<input type="checkbox"/>	034	9163030	Oil seal	1	
<input type="checkbox"/>	036	9004008	Fly wheel washer	1	
<input type="checkbox"/>	040	9101124	Cylinder head bolts	8	04.08.1996
<input type="checkbox"/>	040	9011048	Cylinder head bolts	8	
<input type="checkbox"/>	040	9011043	Cylinder head bolts	8	30.06.2000
<input type="checkbox"/>	043	3N60400	Motor cover	1	
<input type="checkbox"/>	044	9067182	Motor bolts	4	
<input type="checkbox"/>	045	9140130	Circlip	1	
<input type="checkbox"/>	045	9140170	Circlip	1	
<input type="checkbox"/>	049	8356100	Cover	1	
<input type="checkbox"/>	050	8356200	Cover plate	1	
<input type="checkbox"/>	112	9053005	Connection	2	

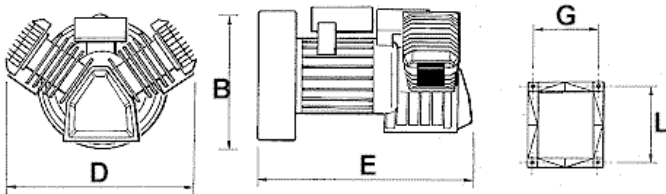
Svc = Service Item

Code: 3D00000

NV 34 - 230V 50Hz - 4P



Dimensions:



In mm

A	B	C	D	E	F	G	L	M	N	P
	350	/	380	495	/	130	156	/	9	1/2" F

Box Weight: 26.5 Kg Box Dimensions: W x D x L: 406 x 501 x 377

Tightening Torques, Cylinder Head:

Bolt Size:	M6	
Min Torque:	9.3	Nm
Max Torque:	11.36	Nm

Technical Data:

Cylinders:	2		
Stages:	1		
Air Flow:	345	L/m in	12,2 cfm
Power:	2,2	Kw	3 HP
Speed:	1450	rpm	
Max Pressure:	9	Bar	131 psi

Code: 3D00000

NV 34 - 230V 50Hz - 4P

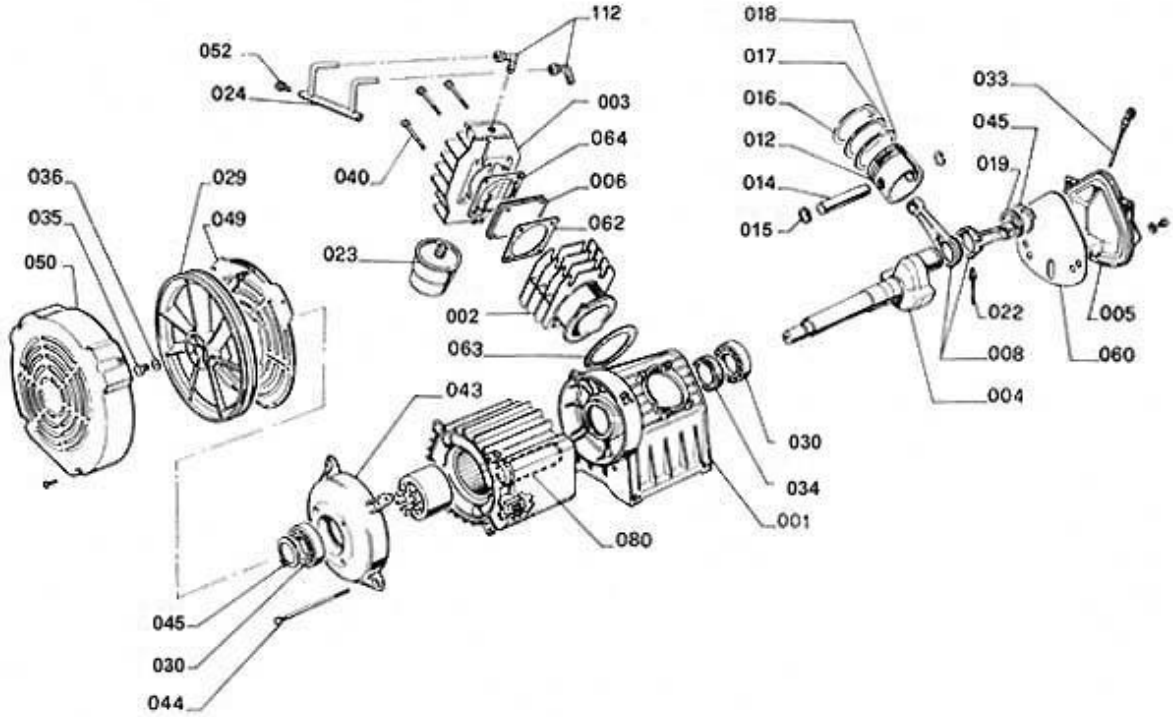


<i>Svc</i>	<i>Ref</i>	<i>Code</i>	<i>Description</i>	<i>Qty</i>	<i>Modified</i>
<input checked="" type="checkbox"/>	000	3D50050	Gasket Kit	1	
<input type="checkbox"/>	001	3N60100	Crankase	1	
<input type="checkbox"/>	002	7330000	Cylinder	2	
<input type="checkbox"/>	003	1761401	Pump head	2	
<input type="checkbox"/>	004	3N60200	Crankshaft	1	
<input type="checkbox"/>	005	3N60300	Sump base	1	
<input checked="" type="checkbox"/>	006	0540051	Valve plate assy.	2	
<input type="checkbox"/>	006	7940051	Valve plate assy.	2	03.11.1996
<input type="checkbox"/>	006	0540050	Valve plate assy.	2	30.11.1996
<input type="checkbox"/>	008	3D10200	Connecting rod	1	
<input type="checkbox"/>	008	3D10100	Connecting rod	1	
<input type="checkbox"/>	008	3V10100	Connecting rod	1	15.09.1996
<input type="checkbox"/>	008	3V10200	Connecting rod	1	15.09.1996
<input type="checkbox"/>	012	1421100	Piston D. Pin D.	2	
<input type="checkbox"/>	012	3D21100	Piston D. Pin D.	2	13.09.1998
<input type="checkbox"/>	014	7921200	Pin	2	
<input type="checkbox"/>	015	9140040	Circlip	4	
<input type="checkbox"/>	016	9020011	Piston ring AC	2	
<input type="checkbox"/>	017	9020041	Piston ring ROS	2	
<input type="checkbox"/>	018	9020071	Piston ring ROF	2	
<input type="checkbox"/>	019	9004031		1	
<input type="checkbox"/>	022	9014006	Oil dipper	1	
<input checked="" type="checkbox"/>	023	6581000	Filter	2	
<input type="checkbox"/>	024	9053662	Aftercooler	1	
<input type="checkbox"/>	029	2600100	Fly wheel	1	
<input type="checkbox"/>	030	9170085	Bearing	1	
<input type="checkbox"/>	030	9170090	Bearing	1	
<input type="checkbox"/>	030	9170086	Bearing	1	01.09.1996
<input type="checkbox"/>	033	9024020	Oil fill plug	1	
<input type="checkbox"/>	034	9163030	Oil seal	1	
<input type="checkbox"/>	036	9004008	Fly wheel washer	1	
<input type="checkbox"/>	040	9011048	Cylinder head bolts	8	
<input type="checkbox"/>	040	9101124	Cylinder head bolts	8	30.06.2000
<input type="checkbox"/>	043	3N60400	Motor cover	1	
<input type="checkbox"/>	044	9067182	Motor bolts	4	
<input type="checkbox"/>	045	9140170	Circlip	1	
<input type="checkbox"/>	045	9140130	Circlip	1	
<input type="checkbox"/>	049	8356100	Cover	1	
<input type="checkbox"/>	050	8356200	Cover plate	1	
<input type="checkbox"/>	052	9053551	Valve	2	
<input type="checkbox"/>	112	9053005	Connection	2	

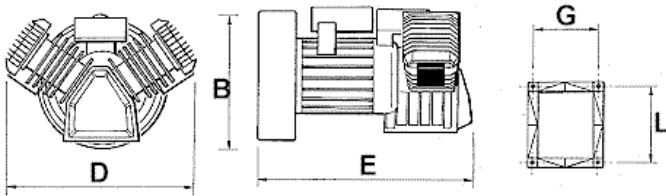
Svc = Service Item

Code: 3D00001

NV 34 - 400V 50Hz - 4P



Dimensions:



In mm

A	B	C	D	E	F	G	L	M	N	P
	350	/	380	495	/	130	156	/	9	1/2" F

Box Weight: 26.5 Kg Box Dimensions: W x D x L: 406 x 501 x 377

Tightening Torques, Cylinder Head:

Bolt Size:	M6	
Min Torque:	9.3	Nm
Max Torque:	11.36	Nm

Technical Data:

Cylinders:	2		
Stages:	1		
Air Flow:	345	L/m in	12,2 cfm
Power:	2,2	Kw	3 HP
Speed:	1450	rpm	
Max Pressure:	9	Bar	131 psi

Code: 3D00001

NV 34 - 400V 50Hz - 4P

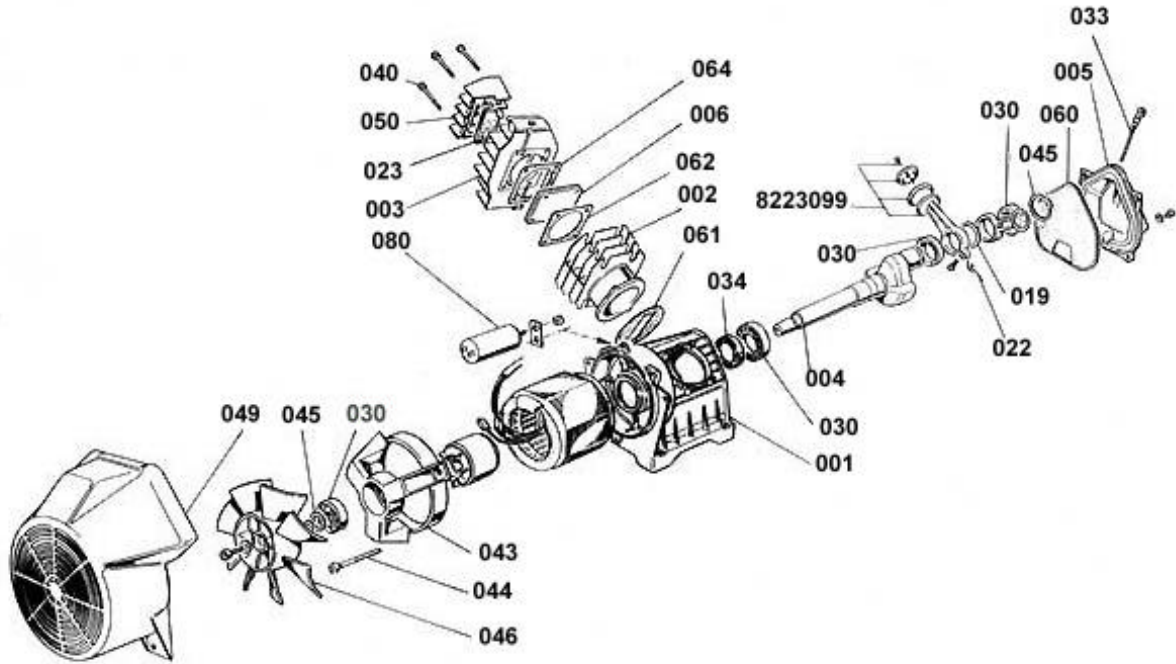


<i>Svc</i>	<i>Ref</i>	<i>Code</i>	<i>Description</i>	<i>Qty</i>	<i>Modified</i>
<input checked="" type="checkbox"/>	000	3D50050	Gasket Kit	1	
<input type="checkbox"/>	001	3N60100	Crankase	1	
<input type="checkbox"/>	002	7330000	Cylinder	2	
<input type="checkbox"/>	003	1761401	Pump head	2	
<input type="checkbox"/>	004	3N60200	Crankshaft	1	
<input type="checkbox"/>	005	3N60300	Sump base	1	
<input checked="" type="checkbox"/>	006	0540051	Valve plate assy.	2	
<input type="checkbox"/>	006	0540050	Valve plate assy.	2	30.11.1996
<input type="checkbox"/>	006	7940051	Valve plate assy.	2	03.11.1996
<input type="checkbox"/>	008	3D10200	Connecting rod	1	
<input type="checkbox"/>	008	3D10100	Connecting rod	1	
<input type="checkbox"/>	008	3V10200	Connecting rod	1	15.09.1996
<input type="checkbox"/>	008	3V10100	Connecting rod	1	15.09.1996
<input type="checkbox"/>	012	1421100	Piston D. Pin D.	2	
<input type="checkbox"/>	012	3D21100	Piston D. Pin D.	2	13.09.1998
<input type="checkbox"/>	014	7921200	Pin	2	
<input type="checkbox"/>	015	9140040	Circlip	4	
<input type="checkbox"/>	016	9020011	Piston ring AC	2	
<input type="checkbox"/>	017	9020041	Piston ring ROS	2	
<input type="checkbox"/>	018	9020071	Piston ring ROF	2	
<input type="checkbox"/>	019	9004031		1	
<input type="checkbox"/>	022	9014006	Oil dipper	1	
<input checked="" type="checkbox"/>	023	6581000	Filter	2	
<input type="checkbox"/>	024	9053662	Aftercooler	1	
<input type="checkbox"/>	029	2600100	Fly wheel	1	
<input type="checkbox"/>	030	9170085	Bearing	1	
<input type="checkbox"/>	030	9170090	Bearing	1	
<input type="checkbox"/>	030	9170086	Bearing	1	01.09.1996
<input type="checkbox"/>	033	9024020	Oil fill plug	1	
<input type="checkbox"/>	034	9163030	Oil seal	1	
<input type="checkbox"/>	036	9004008	Fly wheel washer	1	
<input type="checkbox"/>	040	9101124	Cylinder head bolts	8	30.06.2000
<input type="checkbox"/>	040	9011048	Cylinder head bolts	8	
<input type="checkbox"/>	043	3N60400	Motor cover	1	
<input type="checkbox"/>	044	9067182	Motor bolts	4	
<input type="checkbox"/>	045	9140170	Circlip	1	
<input type="checkbox"/>	045	9140130	Circlip	1	
<input type="checkbox"/>	049	8356100	Cover	1	
<input type="checkbox"/>	050	8356200	Cover plate	1	
<input type="checkbox"/>	112	9053005	Connection	2	

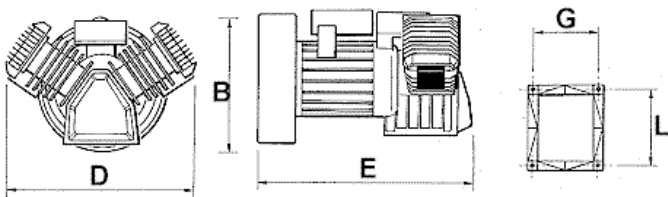
Svc = Service Item

Code: 3F00000

VD 32 - 230V 50Hz



Dimensions:



In mm

A	B	C	D	E	F	G	L	M	N	P
	270	/	350	400	/	130	156	/	9	D.15

Box Weight: Kg Box Dimensions: W x D x L: x x

Tightening Torques, Cylinder Head:

Bolt Size:	<input type="text" value="M6"/>	
MinTorque:	<input type="text" value="9.3"/>	Nm
Max Torque:	<input type="text" value="11.36"/>	Nm

Technical Data:

Cylinders:	<input type="text" value="2"/>		
Stages:	<input type="text" value="1"/>		
Air Flow:	<input type="text" value="345"/>	L/m in	<input type="text" value="12,2"/>
Power:	<input type="text" value="2,2"/>	Kw	<input type="text" value="3"/>
Speed:	<input type="text" value="2850"/>	rpm	
Max Pressure:	<input type="text" value="9"/>	Bar	<input type="text" value="131"/>

Code:**3F00000****VD 32 - 230V 50Hz**

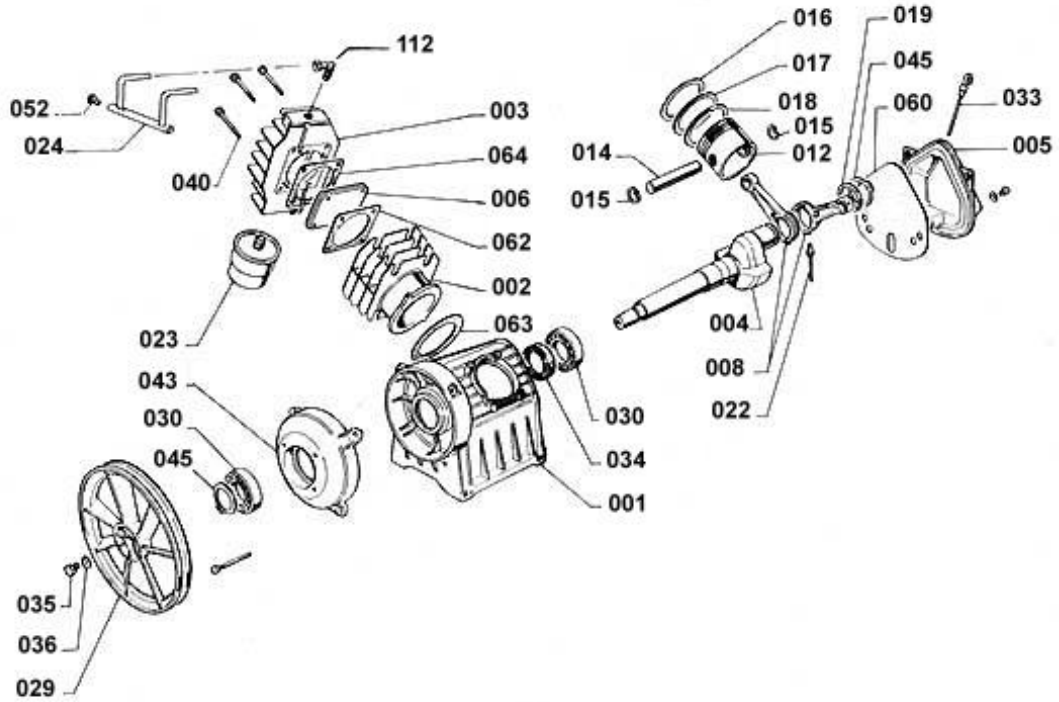
<i>Svc</i>	<i>Ref</i>	<i>Code</i>	<i>Description</i>	<i>Qty</i>	<i>Modified</i>
<input checked="" type="checkbox"/>	000	3F50050	Gasket Kit	1	
<input type="checkbox"/>	001	3F60100	Crankase	1	
<input type="checkbox"/>	002	6P30000	Cylinder	2	
<input type="checkbox"/>	003	7361400	Pump head	2	
<input type="checkbox"/>	004	3F60200	Crankshaft	1	
<input type="checkbox"/>	005	3F60300	Sump base	1	
<input checked="" type="checkbox"/>	006	0540051	Valve plate assy.	2	
<input type="checkbox"/>	019	9140010		1	
<input type="checkbox"/>	022	9014010	Oil dipper	1	
<input checked="" type="checkbox"/>	023	7181100	Filter	2	
<input type="checkbox"/>	030	9170091	Bearing	1	
<input type="checkbox"/>	030	9170111	Bearing	2	
<input type="checkbox"/>	030	9170020	Bearing	1	
<input type="checkbox"/>	030	9170022	Bearing	2	10.06.2001
<input type="checkbox"/>	033	9024022	Oil fill plug	1	
<input type="checkbox"/>	034	9163020	Oil seal	1	
<input type="checkbox"/>	040	9101125	Cylinder head bolts	8	
<input type="checkbox"/>	040	9011043	Cylinder head bolts	8	01.03.1999
<input type="checkbox"/>	043	6562203	Motor cover	1	
<input type="checkbox"/>	044	9011039	Motor bolts	3	01.03.1999
<input type="checkbox"/>	044	9011041	Motor bolts	3	
<input type="checkbox"/>	045	9140160	Circlip	1	
<input type="checkbox"/>	045	9140120	Circlip	1	
<input type="checkbox"/>	046	9038110	Fan	1	
<input type="checkbox"/>	049	832210D	Cover	1	
<input type="checkbox"/>	050	830130A	Cover plate	2	
<input type="checkbox"/>	051	9053839	3 w ai fitting	1	
<input type="checkbox"/>	080	9067028	Capacitor	1	
<input type="checkbox"/>	112	9053005	Connection	1	
<input type="checkbox"/>	145	9046807	Delivery pipe	1	

Svc = Service Item

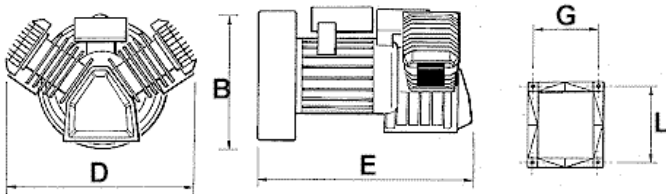
Code:

3M00000

NBV



Dimensions:



In mm

A	B	C	D	E	F	G	L	M	N	P
307	340	280	457	323	108	130	156	128	9	1/2" F

Box Weight: Kg Box Dimensions: W x D x L: x x

Tightening Torques, Cylinder Head:

Bolt Size:	<input type="text" value="M6"/>	
MinTorque:	<input type="text" value="9.3"/>	Nm
Max Torque:	<input type="text" value="11.36"/>	Nm

Technical Data:

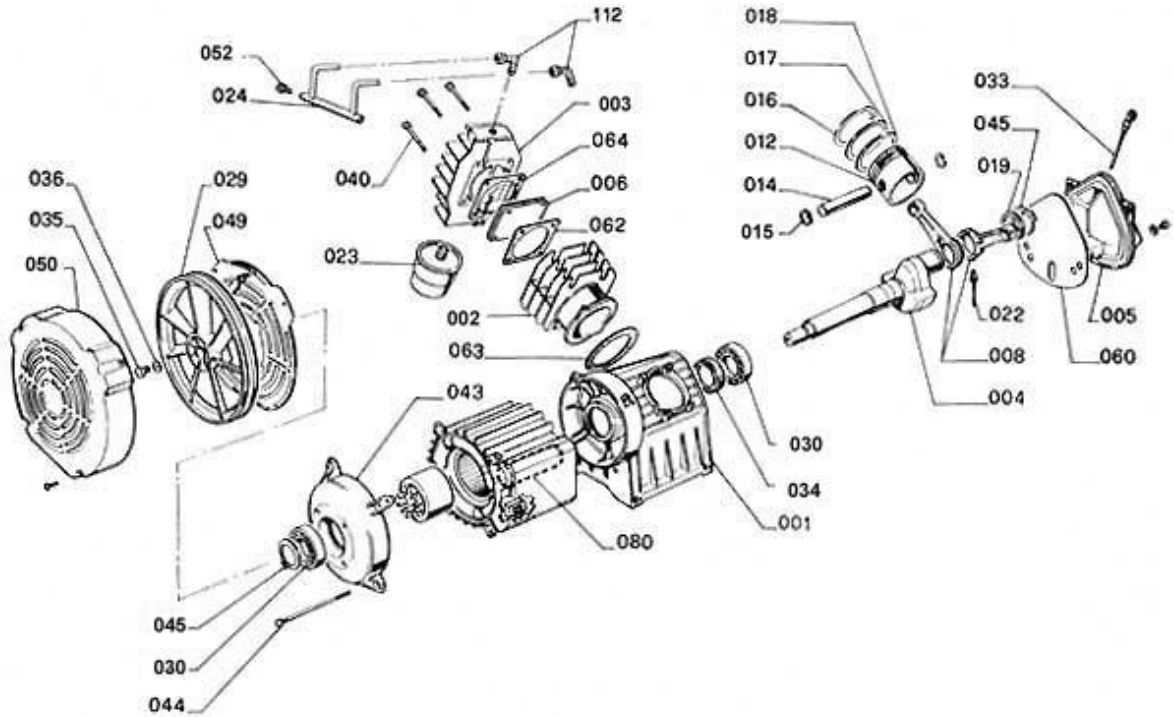
Cylinders:	<input type="text" value="2"/>		
Stages:	<input type="text" value="1"/>		
Air Flow:	<input type="text" value="310"/>	L/m in	<input type="text" value="10,9"/> cfm
Power:	<input type="text" value="2,2"/>	Kw	<input type="text" value="3"/> HP
Speed:	<input type="text" value="1450"/>	rpm	
Max Pressure:	<input type="text" value="9"/>	Bar	<input type="text" value="131"/> psi

<i>Svc</i>	<i>Ref</i>	<i>Code</i>	<i>Description</i>	<i>Qty</i>	<i>Modified</i>
<input checked="" type="checkbox"/>	000	3M50050	Gasket Kit	1	
<input type="checkbox"/>	001	3M60100	Crankase	1	
<input type="checkbox"/>	002	7330000	Cylinder	2	
<input type="checkbox"/>	003	1761401	Pump head	2	
<input type="checkbox"/>	003	1761400	Pump head	2	19.02.1996
<input type="checkbox"/>	005	3N60300	Sump base	1	
<input checked="" type="checkbox"/>	006	0540051	Valve plate assy.	2	
<input type="checkbox"/>	006	0540050	Valve plate assy.	2	01.12.1996
<input type="checkbox"/>	006	7940051	Valve plate assy.	2	03.11.1996
<input type="checkbox"/>	008	3D10200	Connecting rod	1	
<input type="checkbox"/>	008	3D10100	Connecting rod	1	
<input type="checkbox"/>	008	3V10200	Connecting rod	1	15.09.1996
<input type="checkbox"/>	008	3910100	Connecting rod	1	29.02.1996
<input type="checkbox"/>	008	3V10100	Connecting rod	1	15.09.1996
<input type="checkbox"/>	012	1421100	Piston D. Pin D.	2	
<input type="checkbox"/>	012	3D21100	Piston D. Pin D.	2	13.09.1998
<input type="checkbox"/>	014	7921200	Pin	2	
<input type="checkbox"/>	015	9140040	Circlip	4	
<input type="checkbox"/>	016	9020011	Piston ring AC	2	
<input type="checkbox"/>	017	9020041	Piston ring ROS	2	
<input type="checkbox"/>	018	9020071	Piston ring ROF	2	
<input type="checkbox"/>	019	9004031		1	
<input type="checkbox"/>	022	9014006	Oil dipper	1	
<input checked="" type="checkbox"/>	023	6581000	Filter	2	
<input type="checkbox"/>	024	9053662	Aftercooler	1	
<input type="checkbox"/>	024	2670100	Aftercooler	2	19.02.1996
<input type="checkbox"/>	029	2600100	Fly wheel	1	
<input type="checkbox"/>	030	9170085	Bearing	1	
<input type="checkbox"/>	030	9170090	Bearing	1	
<input type="checkbox"/>	030	9170086	Bearing	1	01.09.1996
<input type="checkbox"/>	033	9024020	Oil fill plug	1	
<input type="checkbox"/>	034	9163030	Oil seal	1	
<input type="checkbox"/>	035	9110014	Screw	1	
<input type="checkbox"/>	035	9110012	Screw	1	19.06.1997
<input type="checkbox"/>	036	9004008	Fly wheel washer	1	
<input type="checkbox"/>	040	9011048	Cylinder head bolts	8	
<input type="checkbox"/>	040	9101124	Cylinder head bolts	8	30.06.2000
<input type="checkbox"/>	043	3N60400	Motor cover	1	
<input type="checkbox"/>	045	9140130	Circlip	1	
<input type="checkbox"/>	045	9140170	Circlip	1	
<input type="checkbox"/>	052	9053555	Valve	1	
<input type="checkbox"/>	112	9053005	Connection	2	

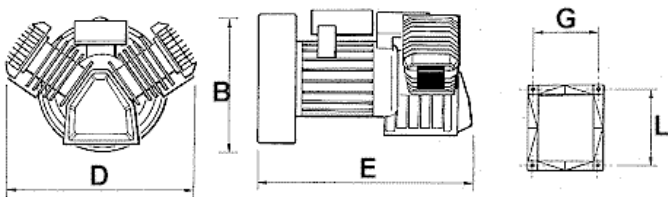
Svc = Service Item

Code: 3N00000

NV 32 - 230V 50Hz - 2P



Dimensions:



In mm

A	B	C	D	E	F	G	L	M	N	P
	350	/	380	495	/	130	156	/	9	1/2" F

Box Weight: 23 Kg Box Dimensions: W x D x L: 406 x 501 x 377

Tightening Torques, Cylinder Head:

Bolt Size:	M6	
Min Torque:	9.3	Nm
Max Torque:	11.36	Nm

Technical Data:

Cylinders:	2		
Stages:	1		
Air Flow:	420	L/m in	14,8 cfm
Power:	2,2	Kw	3 HP
Speed:	2850	rpm	
Max Pressure:	9	Bar	131 psi

Code: 3N00000

NV 32 - 230V 50Hz - 2P

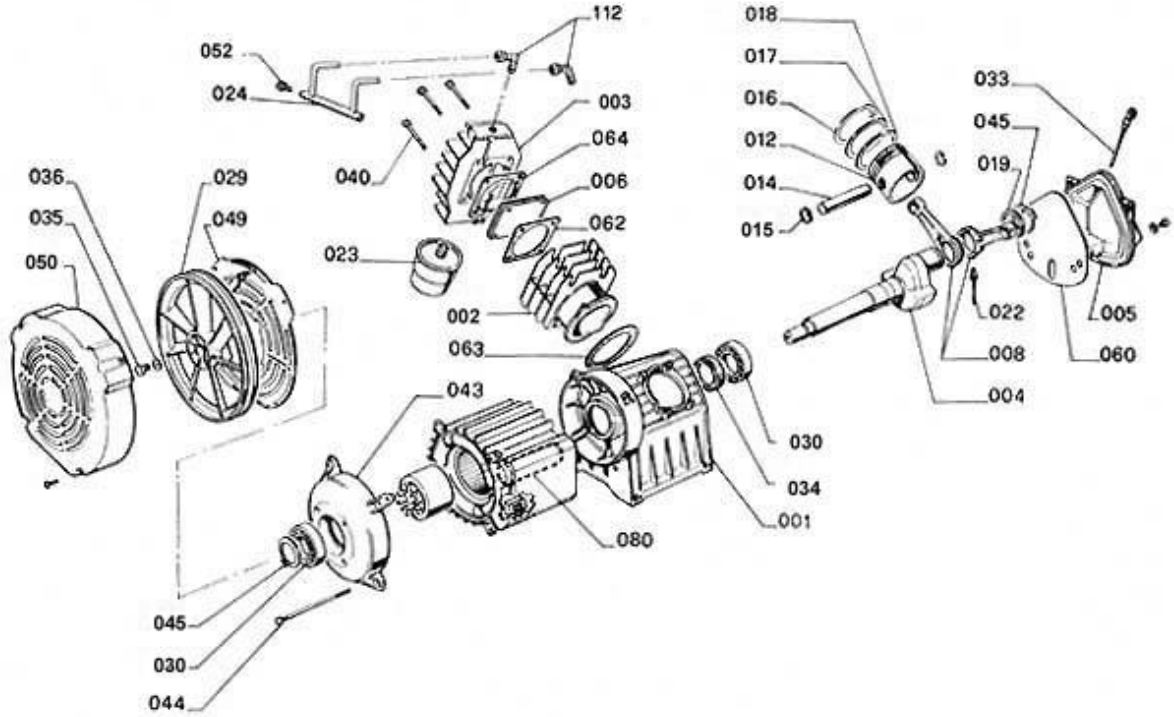


<i>Svc</i>	<i>Ref</i>	<i>Code</i>	<i>Description</i>	<i>Qty</i>	<i>Modified</i>
<input checked="" type="checkbox"/>	000	3N50050	Gasket Kit	1	
<input type="checkbox"/>	001	3N60100	Crankase	1	
<input type="checkbox"/>	002	7130000	Cylinder	2	
<input type="checkbox"/>	003	1761401	Pump head	2	
<input type="checkbox"/>	003	1761400	Pump head	2	19.02.1996
<input type="checkbox"/>	004	3N60200	Crankshaft	1	
<input type="checkbox"/>	005	3N60300	Sump base	1	
<input type="checkbox"/>	006	7940051	Valve plate assy.	2	03.11.1996
<input checked="" type="checkbox"/>	006	0540050	Valve plate assy.	2	
<input type="checkbox"/>	008	2N10200	Connecting rod	1	
<input type="checkbox"/>	008	2N10100	Connecting rod	1	
<input type="checkbox"/>	008	2V10200	Connecting rod	1	15.09.1996
<input type="checkbox"/>	008	2V10100	Connecting rod	1	15.09.1996
<input type="checkbox"/>	012	692110B	Piston D. Pin D.	2	
<input type="checkbox"/>	014	6521200	Pin	2	
<input type="checkbox"/>	015	9140020	Circlip	4	
<input type="checkbox"/>	016	9020039	Piston ring AC	2	
<input type="checkbox"/>	017	9020051	Piston ring ROS	2	
<input type="checkbox"/>	018	9020068	Piston ring ROF	2	
<input type="checkbox"/>	019	9004031		1	
<input type="checkbox"/>	022	9014006	Oil dipper	1	
<input checked="" type="checkbox"/>	023	6581000	Filter	2	
<input type="checkbox"/>	024	9053661	Aftercooler	1	
<input type="checkbox"/>	024	2670100	Aftercooler	2	19.02.1996
<input type="checkbox"/>	029	2600100	Fly heel	1	
<input type="checkbox"/>	030	9170090	Bearing	1	
<input type="checkbox"/>	030	9170085	Bearing	1	
<input type="checkbox"/>	030	9170086	Bearing	1	01.09.1996
<input type="checkbox"/>	033	9024020	Oil fill plug	1	
<input type="checkbox"/>	034	9163030	Oil seal	1	
<input type="checkbox"/>	036	9004008	Fly w heel w asher	1	
<input type="checkbox"/>	040	9011048	Cylinder head bolts	8	
<input type="checkbox"/>	040	9101124	Cylinder head bolts	8	04.08.1996
<input type="checkbox"/>	040	9011043	Cylinder head bolts	8	30.06.2000
<input type="checkbox"/>	043	3N60400	Motor cover	1	
<input type="checkbox"/>	044	9067182	Motor bolts	4	
<input type="checkbox"/>	045	9140170	Circlip	1	
<input type="checkbox"/>	045	9140130	Circlip	1	
<input type="checkbox"/>	049	8356100	Cover	1	
<input type="checkbox"/>	050	8356200	Cover plate	1	
<input type="checkbox"/>	052	9053551	Valve	2	
<input type="checkbox"/>	112	9053005	Connection	2	

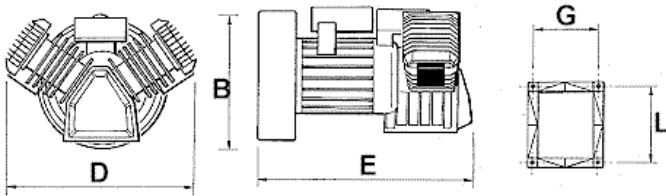
Svc = Service Item

Code: 3N00002

NV 32 - 400V 50Hz - 2P



Dimensions:



In mm

A	B	C	D	E	F	G	L	M	N	P
	350	/	380	495	/	130	156	/	9	1/2" F

Box Weight: 23 Kg Box Dimensions: W x D x L: 406 x 501 x 377

Tightening Torques, Cylinder Head:

Bolt Size:	M6	
Min Torque:	9.3	Nm
Max Torque:	11.36	Nm

Technical Data:

Cylinders:	2		
Stages:	1		
Air Flow:	420	L/m in	14,8 cfm
Power:	2,2	Kw	3 HP
Speed:	2850	rpm	
Max Pressure:	9	Bar	131 psi

Code: 3N00002
NV 32 - 400V 50Hz - 2P

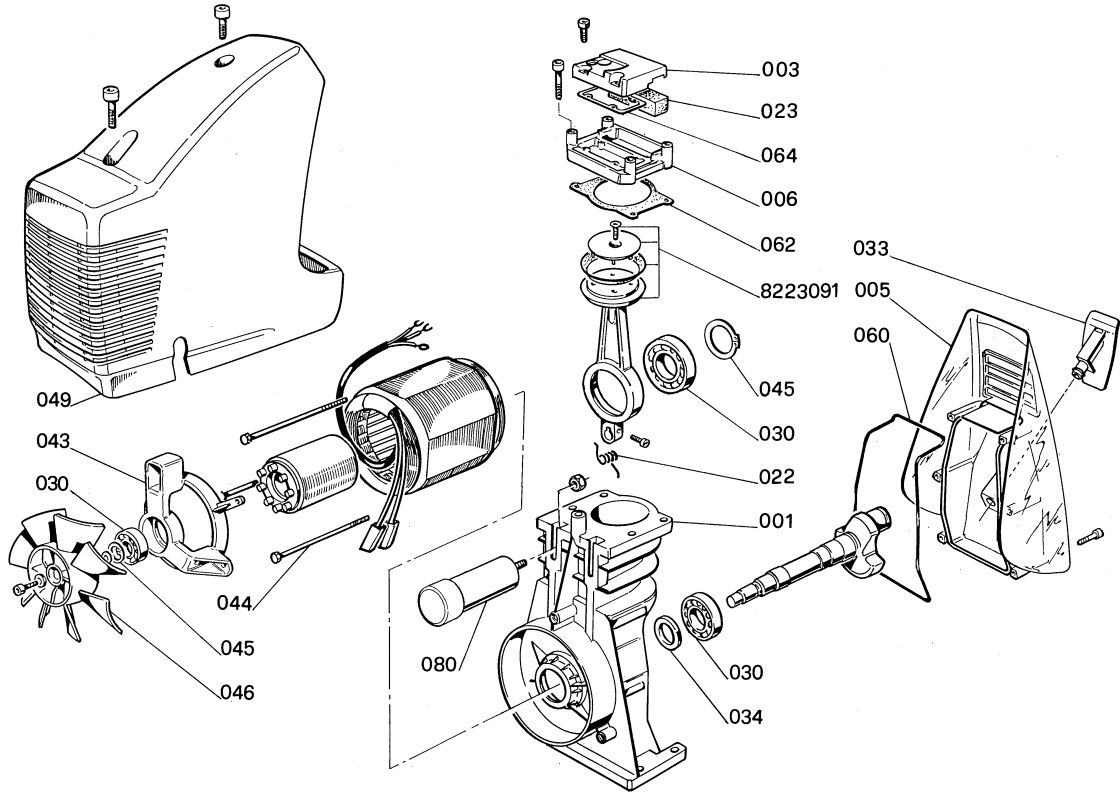


<i>Svc</i>	<i>Ref</i>	<i>Code</i>	<i>Description</i>	<i>Qty</i>	<i>Modified</i>
<input checked="" type="checkbox"/>	000	3N50050	Gasket Kit	1	
<input type="checkbox"/>	001	3N60100	Crankase	1	
<input type="checkbox"/>	002	7130000	Cylinder	2	
<input type="checkbox"/>	003	1761401	Pump head	2	
<input type="checkbox"/>	003	1761400	Pump head	2	19.02.1996
<input type="checkbox"/>	004	3N60200	Crankshaft	1	
<input type="checkbox"/>	005	3N60300	Sump base	1	
<input checked="" type="checkbox"/>	006	0540050	Valve plate assy.	2	
<input type="checkbox"/>	006	7940051	Valve plate assy.	2	03.11.1996
<input type="checkbox"/>	008	2N10100	Connecting rod	1	
<input type="checkbox"/>	008	2N10200	Connecting rod	1	
<input type="checkbox"/>	008	2V10200	Connecting rod	1	15.09.1996
<input type="checkbox"/>	008	2V10100	Connecting rod	1	15.09.1996
<input type="checkbox"/>	012	692110B	Piston D. Pin D.	2	
<input type="checkbox"/>	014	6521200	Pin	2	
<input type="checkbox"/>	015	9140020	Circlip	4	
<input type="checkbox"/>	016	9020039	Piston ring AC	2	
<input type="checkbox"/>	017	9020051	Piston ring ROS	2	
<input type="checkbox"/>	018	9020068	Piston ring ROF	2	
<input type="checkbox"/>	019	9004031		1	
<input type="checkbox"/>	022	9014006	Oil dipper	1	
<input checked="" type="checkbox"/>	023	6581000	Filter	2	
<input type="checkbox"/>	024	9053661	Aftercooler	1	
<input type="checkbox"/>	024	2670100	Aftercooler	2	19.02.1996
<input type="checkbox"/>	029	2600100	Fly wheel	1	
<input type="checkbox"/>	030	9170085	Bearing	1	
<input type="checkbox"/>	030	9170090	Bearing	1	
<input type="checkbox"/>	030	9170086	Bearing	1	01.09.1996
<input type="checkbox"/>	033	9024020	Oil fill plug	1	
<input type="checkbox"/>	034	9163030	Oil seal	1	
<input type="checkbox"/>	036	9004008	Fly wheel washer	1	
<input type="checkbox"/>	040	9011043	Cylinder head bolts	8	30.06.2000
<input type="checkbox"/>	040	9101124	Cylinder head bolts	8	04.08.1996
<input type="checkbox"/>	040	9011048	Cylinder head bolts	8	
<input type="checkbox"/>	043	3N60400	Motor cover	1	
<input type="checkbox"/>	044	9067182	Motor bolts	4	
<input type="checkbox"/>	045	9140170	Circlip	1	
<input type="checkbox"/>	045	9140130	Circlip	1	
<input type="checkbox"/>	049	8356100	Cover	1	
<input type="checkbox"/>	050	8356200	Cover plate	1	
<input type="checkbox"/>	112	9053005	Connection	2	

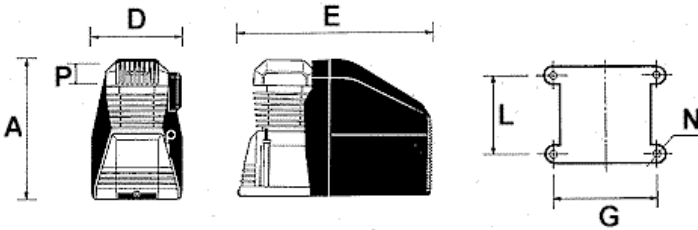
Svc = Service Item

Code: 7S00000

VL 241 HP 2



Dimensions:



In mm

A	B	C	D	E	F	G	L	M	N	P
314			192	345		139	49		9	1/4" F

Box Weight: 8.5 Kg Box Dimensions: W x D x L: 202 x 355 x 334

Tightening Torques, Cylinder Head:

Bolt Size:	M6	
Min Torque:	9.3	Nm
Max Torque:	11.36	Nm
	11.36	
	11.36	

Technical Data:

Cylinders:	1		
Stages:	1		
Air Flow:	240	L/m in	8,5 cfm
Power:	1,5	Kw	2 HP
Speed:	2850	rpm	
Max Pressure:	8	Bar	116 psi

Code:
VL 241 HP 2

7S00000

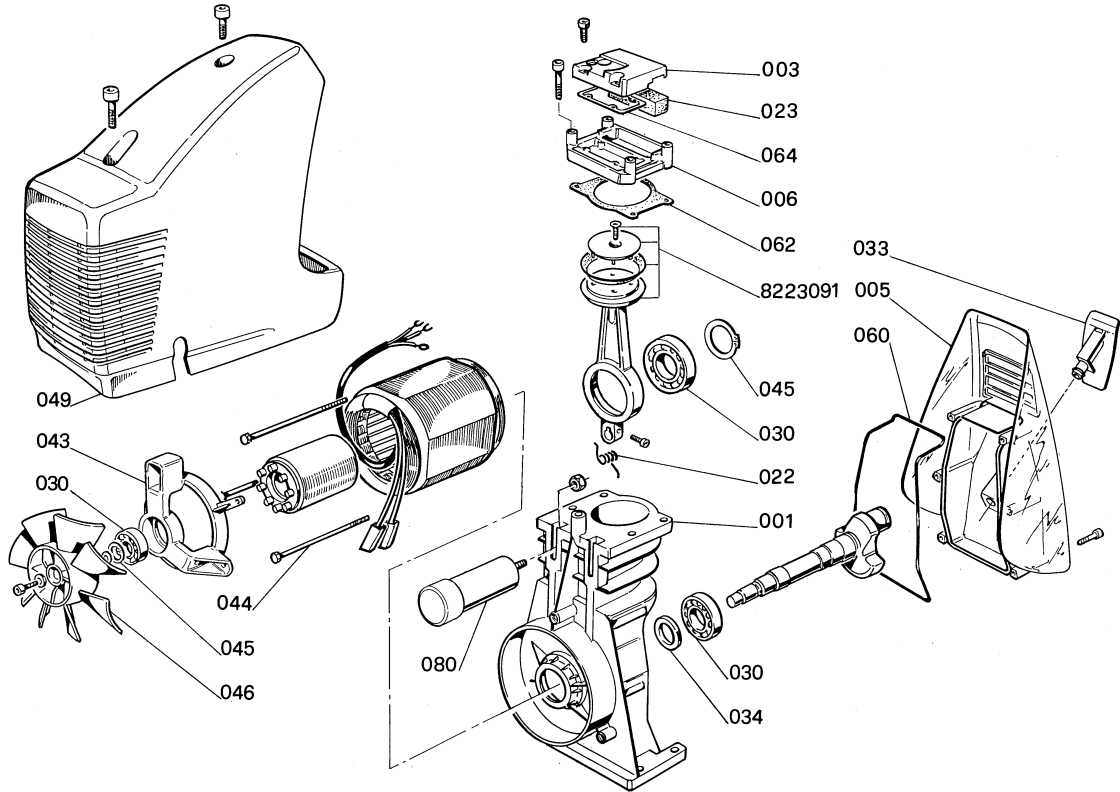


<i>Svc</i>	<i>Ref</i>	<i>Code</i>	<i>Description</i>	<i>Qty</i>	<i>Modified</i>
<input type="checkbox"/>	001	7S61100	Crankase	1	
<input type="checkbox"/>	003	7S40200	Pump head	1	
<input type="checkbox"/>	005	8331100	Sump base	1	
<input checked="" type="checkbox"/>	006	7S40050	Valve plate assy.	1	
<input type="checkbox"/>	022	9014009	Oil dipper	1	
<input checked="" type="checkbox"/>	023	7S81100	Filter	1	
<input type="checkbox"/>	030	9170097	Bearing	1	
<input type="checkbox"/>	030	9170030	Bearing	1	
<input type="checkbox"/>	030	9170091	Bearing	1	
<input type="checkbox"/>	033	9024027	Oil fill plug	1	
<input type="checkbox"/>	034	9163010	Oil seal	1	
<input type="checkbox"/>	043	6P62200	Motor cover	1	
<input type="checkbox"/>	044	9011040	Motor bolts	3	
<input type="checkbox"/>	045	9140170	Circlip	1	
<input type="checkbox"/>	045	9140160	Circlip	1	
<input type="checkbox"/>	046	9038017	Fan	1	
<input type="checkbox"/>	049	833110D	Cover	1	
<input type="checkbox"/>	060	7S50100	Crankase gasket	1	
<input type="checkbox"/>	062	7S50300	Cylinder - plate gasket	1	
<input type="checkbox"/>	064	7S40300	Plate - head gasket	1	
<input type="checkbox"/>	080	9067026	Capacitor	1	

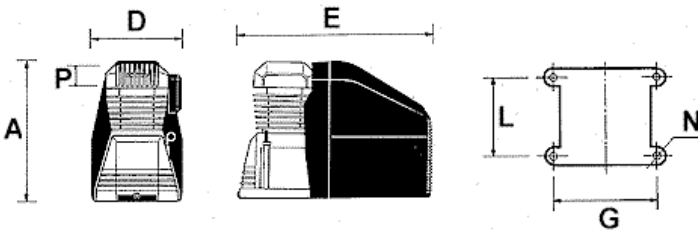
Svc = Service Item

Code: 7T00000

VL 221 HP 1,5



Dimensions:



In mm

A	B	C	D	E	F	G	L	M	N	P
314			192	345		139	49		9	1/4" F

Box Weight: 8 Kg Box Dimensions: W x D x L: 202 x 355 x 334

Tightening Torques, Cylinder Head:

Bolt Size:	M6
Min Torque:	9.3 Nm
Max Torque:	11.36 Nm

Technical Data:

Cylinders:	1	
Stages:	1	
Air Flow:	220 L/m in	7,8 cfm
Power:	1,1 Kw	1,5 HP
Speed:	2850 rpm	
Max Pressure:	8 Bar	116 psi

Code:

7T00000



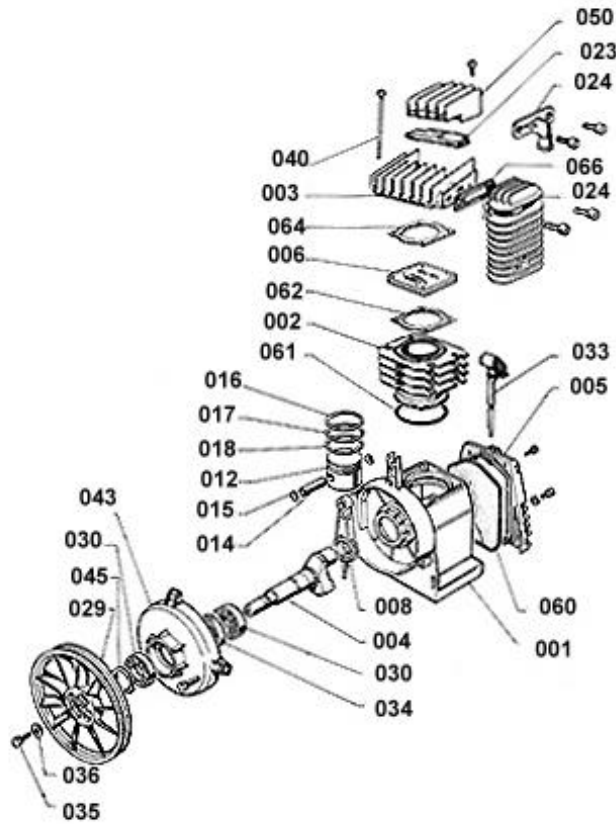
VL 221 HP 1,5

<i>Svc</i>	<i>Ref</i>	<i>Code</i>	<i>Description</i>	<i>Qty</i>	<i>Modified</i>
<input type="checkbox"/>	001	7T61100	Crankase	1	
<input type="checkbox"/>	003	7S40200	Pump head	1	
<input type="checkbox"/>	005	8331100	Sump base	1	
<input checked="" type="checkbox"/>	006	7S40050	Valve plate assy.	1	
<input type="checkbox"/>	022	9014009	Oil dipper	1	
<input checked="" type="checkbox"/>	023	7S81100	Filter	1	
<input type="checkbox"/>	030	9170091	Bearing	1	
<input type="checkbox"/>	030	9170097	Bearing	1	
<input type="checkbox"/>	030	9170030	Bearing	1	
<input type="checkbox"/>	033	9024027	Oil fill plug	1	
<input type="checkbox"/>	034	9163010	Oil seal	1	
<input type="checkbox"/>	043	6P62200	Motor cover	1	
<input type="checkbox"/>	044	9011044	Motor bolts	3	
<input type="checkbox"/>	045	9140160	Circlip	1	
<input type="checkbox"/>	045	9140170	Circlip	1	
<input type="checkbox"/>	046	9038017	Fan	1	
<input type="checkbox"/>	049	833110D	Cover	1	
<input type="checkbox"/>	060	7S50100	Crankase gasket	1	
<input type="checkbox"/>	062	7T50300	Cylinder - plate gasket	1	
<input type="checkbox"/>	062	7S50300	Cylinder - plate gasket	1	01.04.2001
<input type="checkbox"/>	064	7S40300	Plate - head gasket	1	
<input type="checkbox"/>	080	9067026	Capacitor	1	01.04.2001
<input type="checkbox"/>	080	9067017	Capacitor	1	

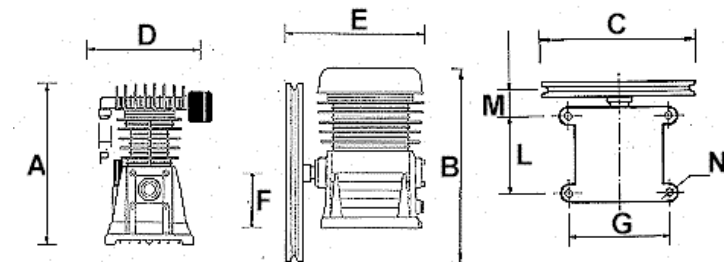
Svc = Service Item

Code: 1500000

B 1500



Dimensions:



In mm

A	B	C	D	E	F	G	L	M	N	P
264	322	280	162	244	140	139	64	116	9	3/8" F

Box Weight: 6 Kg Box Dimensions: W x D x L: 241 x 251 x 322

Tightening Torques, Cylinder Head:

Bolt Size:	M6	
MinTorque:	9.3	Nm
Max Torque:	11.36	Nm

Technical Data:

Cylinders:	1		
Stages:	1		
Air Flow:	128	L/m in	4,5 cfm
Power:	1,1	Kw	1,5 HP
Speed:	1750	rpm	
Max Pressure:	9	Bar	131 psi

Code:
B 1500

1500000

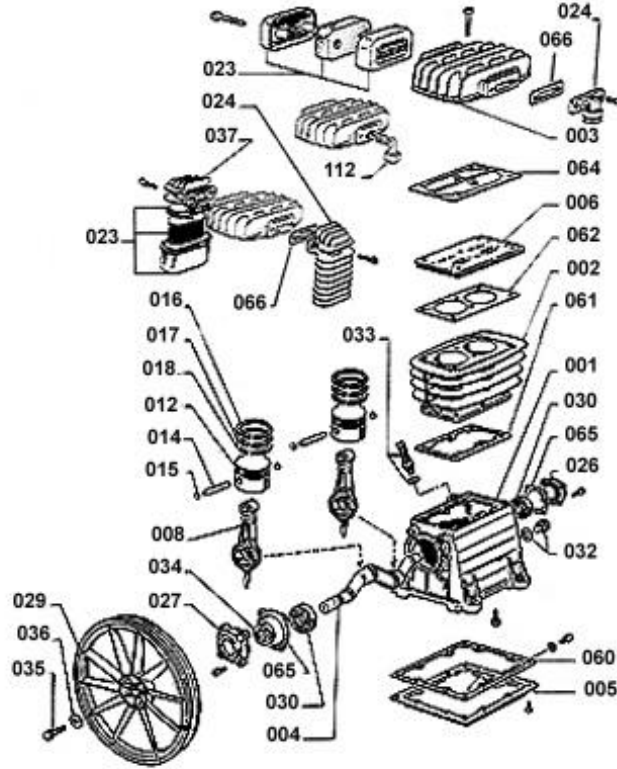


<i>Svc</i>	<i>Ref</i>	<i>Code</i>	<i>Description</i>	<i>Qty</i>	<i>Modified</i>
<input checked="" type="checkbox"/>	000	7150050	Gasket Kit	1	
<input type="checkbox"/>	001	7161100	Crankase	1	
<input type="checkbox"/>	002	7130000	Cylinder	1	
<input type="checkbox"/>	003	7261400	Pump head	1	
<input type="checkbox"/>	004	1561200	Crankshaft	1	
<input type="checkbox"/>	005	7161300	Sump base	1	
<input checked="" type="checkbox"/>	006	0540051	Valve plate assy.	1	
<input type="checkbox"/>	008	7110100	Connecting rod	1	
<input type="checkbox"/>	012	692110B	Piston D. Pin D.	1	
<input type="checkbox"/>	014	6521200	Pin	1	
<input type="checkbox"/>	015	9140020	Circlip	2	
<input type="checkbox"/>	016	9020039	Piston ring AC	1	
<input type="checkbox"/>	017	9020051	Piston ring ROS	1	
<input type="checkbox"/>	018	9020068	Piston ring ROF	1	
<input checked="" type="checkbox"/>	023	7181100	Filter	1	
<input type="checkbox"/>	024	2670100	Aftercooler	1	
<input type="checkbox"/>	029	1000100	Flyw heel	1	
<input type="checkbox"/>	030	9170030	Bearing	1	
<input type="checkbox"/>	030	9170111	Bearing	1	
<input type="checkbox"/>	033	9024017	Oil fill plug	1	30.04.1999
<input type="checkbox"/>	033	9024022	Oil fill plug	1	
<input type="checkbox"/>	034	9163010	Oil seal	1	
<input type="checkbox"/>	035	9110014	Screw	1	
<input type="checkbox"/>	035	9110012	Screw	1	19.06.1997
<input type="checkbox"/>	036	9004007	Fly w heel w asher	1	09.07.1998
<input type="checkbox"/>	036	9004008	Fly w heel w asher	1	
<input type="checkbox"/>	040	9101124	Cylinder head bolts	4	
<input type="checkbox"/>	040	9011043	Cylinder head bolts	4	30.06.2000
<input type="checkbox"/>	043	1561500	Motor cover	1	
<input type="checkbox"/>	045	9140120	Circlip	1	
<input type="checkbox"/>	050	830130A	Cover plate	1	

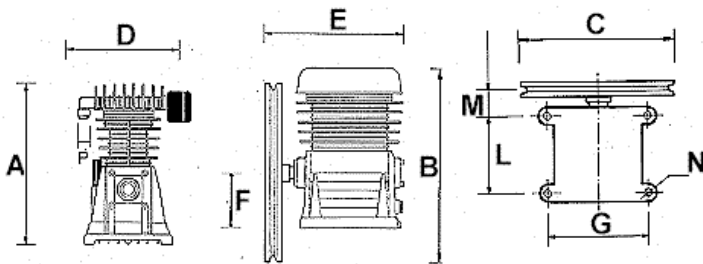
Svc = Service Item

Code: 2800000

NS11 - B 2800



Dimensions:



In mm

A	B	C	D	E	F	G	L	M	N	P
280	324	280	215	255	97	162	132	76	9	1/2" F

Box Weight: 8.5 Kg Box Dimensions: W x D x L: 271 x 286 x 362

Tightening Torques, Cylinder Head:

Bolt Size:	M8	
Min Torque:	22.45	Nm
Max Torque:	27.43	Nm

Technical Data:

Cylinders:	2		
Stages:	1		
Air Flow:	254	L/m in	9,0 cfm
Power:	1,5	Kw	2 HP
Speed:	1250	rpm	
Max Pressure:	9	Bar	131 psi

Code: 2800000
NS11 - B 2800

2800000

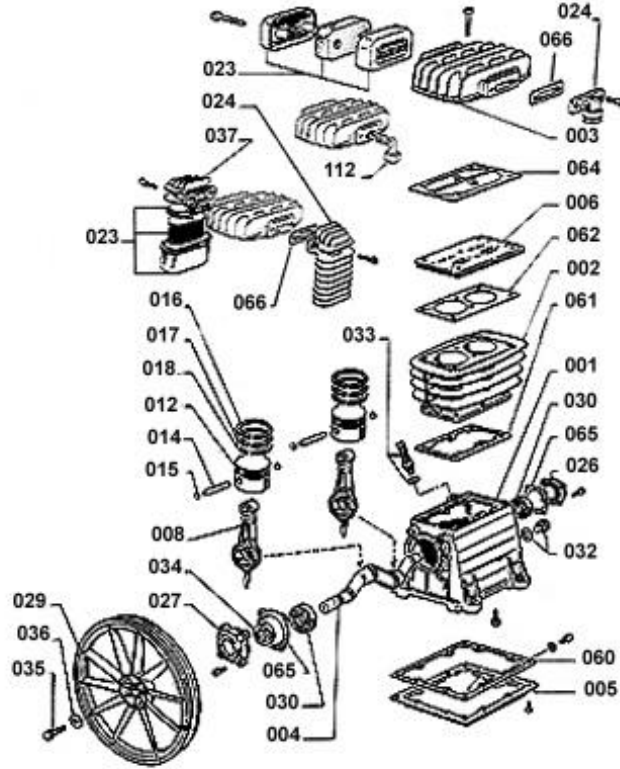


<i>Svc</i>	<i>Ref</i>	<i>Code</i>	<i>Description</i>	<i>Qty</i>	<i>Modified</i>
<input checked="" type="checkbox"/>	000	2850055	Gasket Kit	1	
<input type="checkbox"/>	001	2860100	Crankase	1	
<input type="checkbox"/>	002	2830000	Cylinder	1	
<input type="checkbox"/>	003	2860401	Pump head	1	29.10.2000
<input type="checkbox"/>	003	3860400	Pump head	1	28.02.1999
<input type="checkbox"/>	003	2860400	Pump head	1	28.02.1999
<input type="checkbox"/>	003	3860401	Pump head	1	
<input type="checkbox"/>	004	2860200	Crankshaft	1	
<input type="checkbox"/>	005	2660160	Sump base	1	
<input checked="" type="checkbox"/>	006	2840050	Valve plate assy.	1	
<input type="checkbox"/>	008	2810100	Connecting rod	2	
<input type="checkbox"/>	012	1421100	Piston D. Pin D.	2	
<input type="checkbox"/>	014	3021200	Pin	2	
<input type="checkbox"/>	015	9140040	Circlip	4	
<input type="checkbox"/>	016	9020011	Piston ring AC	2	
<input type="checkbox"/>	017	9020041	Piston ring ROS	2	
<input type="checkbox"/>	018	9020071	Piston ring ROF	2	
<input type="checkbox"/>	023	2281000	Filter	1	29.10.2000
<input checked="" type="checkbox"/>	023	2881000	Filter	1	
<input type="checkbox"/>	024	2670100	Aftercooler	1	28.02.1999
<input type="checkbox"/>	026	2060690	Cover N.D.E.	1	
<input type="checkbox"/>	027	2060590	Cover D.E.	1	
<input type="checkbox"/>	029	2600100	Flyw heel	1	
<input type="checkbox"/>	030	9170030	Bearing	2	
<input type="checkbox"/>	032	9022001	Oil sight glass	1	
<input type="checkbox"/>	033	9024003	Oil fill plug	1	31.10.1998
<input type="checkbox"/>	033	9024021	Oil fill plug	1	31.05.2001
<input type="checkbox"/>	033	9024029	Oil fill plug	1	
<input type="checkbox"/>	034	9163010	Oil seal	1	
<input type="checkbox"/>	035	9110014	Screw	1	
<input type="checkbox"/>	036	9004008	Fly w heel w asher	1	

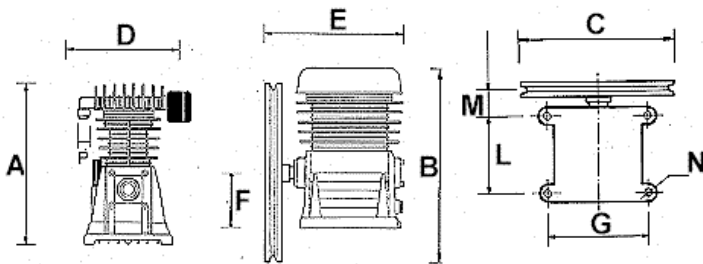
Svc = Service Item

Code: 280000B

NS11B - B 2800B



Dimensions:



In mm

A	B	C	D	E	F	G	L	M	N	P
280	324	280	235	255	97	162	132	76	9	3/4" F

Box Weight: 8.5 Kg Box Dimensions: W x D x L: 271 x 286 x 362

Tightening Torques, Cylinder Head:

Bolt Size:	M8	
Min Torque:	22.45	Nm
Max Torque:	27.43	Nm

Technical Data:

Cylinders:	2		
Stages:	1		
Air Flow:	320	L/m in	11,3 cfm
Power:	2,2	Kw	3 HP
Speed:	1570	rpm	
Max Pressure:	9	Bar	131 psi

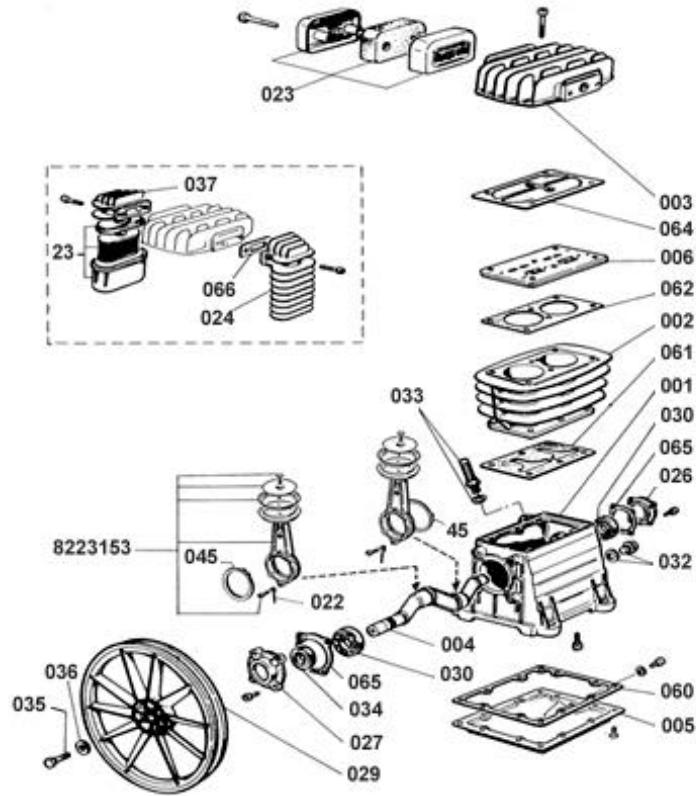
Code:**280000B****NS11B - B 2800B**

<i>Svc</i>	<i>Ref</i>	<i>Code</i>	<i>Description</i>	<i>Qty</i>	<i>Modified</i>
<input checked="" type="checkbox"/>	000	2850055	Gasket Kit	1	
<input type="checkbox"/>	001	2860100	Crankase	1	
<input type="checkbox"/>	002	2830000	Cylinder	1	
<input type="checkbox"/>	003	2860400	Pump head	1	29.10.2000
<input type="checkbox"/>	003	3860400	Pump head	1	
<input type="checkbox"/>	004	2860200	Crankshaft	1	
<input type="checkbox"/>	005	2660160	Sump base	1	
<input checked="" type="checkbox"/>	006	2840050	Valve plate assy.	1	
<input type="checkbox"/>	008	2810100	Connecting rod	2	
<input type="checkbox"/>	012	1421100	Piston D. Pin D.	2	
<input type="checkbox"/>	014	3021200	Pin	2	
<input type="checkbox"/>	015	9140040	Circlip	4	
<input type="checkbox"/>	016	9020011	Piston ring AC	2	
<input type="checkbox"/>	017	9020041	Piston ring ROS	2	
<input type="checkbox"/>	018	9020071	Piston ring ROF	2	
<input checked="" type="checkbox"/>	023	2881000	Filter	1	
<input type="checkbox"/>	023	2281000	Filter	1	29.10.2000
<input type="checkbox"/>	024	1070100	Aftercooler	1	01.04.2001
<input type="checkbox"/>	024	2870100	Aftercooler	1	
<input type="checkbox"/>	026	2060690	Cover N.D.E.	1	
<input type="checkbox"/>	027	2060590	Cover D.E.	1	
<input type="checkbox"/>	029	2600100	Flyw heel	1	
<input type="checkbox"/>	030	9170030	Bearing	2	
<input type="checkbox"/>	032	9022001	Oil sight glass	1	
<input type="checkbox"/>	033	9024029	Oil fill plug	1	
<input type="checkbox"/>	033	9024003	Oil fill plug	1	31.10.1998
<input type="checkbox"/>	033	9024021	Oil fill plug	1	31.05.2001
<input type="checkbox"/>	034	9163010	Oil seal	1	
<input type="checkbox"/>	035	9110014	Screw	1	
<input type="checkbox"/>	036	9004008	Fly w heel w asher	1	

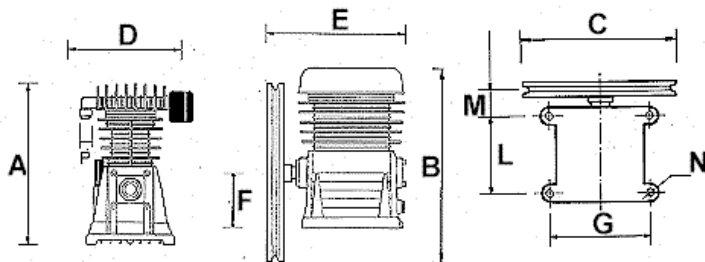
Svc = Service Item

Code: **2R00000**

B 2800 IBR



Dimensions:



In mm

A	B	C	D	E	F	G	L	M	N	P
280	324	280	235	255	97	162	132	76	9	1/2" F

Box Weight: Kg Box Dimensions: W x D x L: x x

Tightening Torques, Cylinder Head:

Bolt Size:	<input type="text" value="M8"/>	
MinTorque:	<input type="text" value="22.45"/>	Nm
Max Torque:	<input type="text" value="27.43"/>	Nm

Technical Data:

Cylinders:	<input type="text" value="2"/>		
Stages:	<input type="text" value="1"/>		
Air Flow:	<input type="text" value="245"/>	L/m in	<input type="text" value="8,7"/>
Power:	<input type="text" value="1,5"/>	Kw	<input type="text" value="2"/>
Speed:	<input type="text" value="1250"/>	rpm	
Max Pressure:	<input type="text" value="9"/>	Bar	<input type="text" value="131"/>

Code:

2R00000



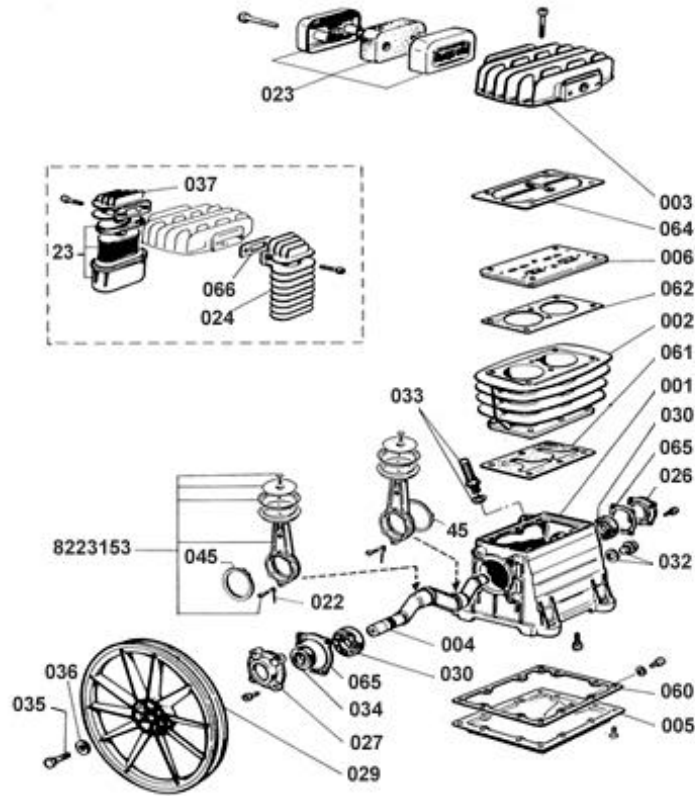
B 2800 IBR

<i>Svc</i>	<i>Ref</i>	<i>Code</i>	<i>Description</i>	<i>Qty</i>	<i>Modified</i>
<input checked="" type="checkbox"/>	000	2R50055	Gasket Kit	1	
<input type="checkbox"/>	001	2860100	Crankase	1	
<input type="checkbox"/>	002	2R30000	Cylinder	1	
<input type="checkbox"/>	003	2860401	Pump head	1	29.10.2000
<input type="checkbox"/>	003	3860401	Pump head	1	
<input type="checkbox"/>	004	2R60200	Crankshaft	1	
<input type="checkbox"/>	005	2660160	Sump base	1	
<input checked="" type="checkbox"/>	006	2840050	Valve plate assy.	1	
<input type="checkbox"/>	022	9014011	Oil dipper	2	
<input checked="" type="checkbox"/>	023	2881000	Filter	1	
<input type="checkbox"/>	023	2281000	Filter	1	29.10.2000
<input type="checkbox"/>	026	2060690	Cover N.D.E.	1	
<input type="checkbox"/>	027	2060590	Cover D.E.	1	
<input type="checkbox"/>	029	2600100	Fly wheel	1	
<input type="checkbox"/>	030	9170030	Bearing	2	
<input type="checkbox"/>	032	9022005	Oil sight glass	1	
<input type="checkbox"/>	033	9024021	Oil fill plug	1	31.05.2001
<input type="checkbox"/>	033	9024029	Oil fill plug	1	
<input type="checkbox"/>	034	9163010	Oil seal	1	
<input type="checkbox"/>	035	9110014	Screw	1	
<input type="checkbox"/>	036	9004008	Fly wheel washer	1	
<input type="checkbox"/>	045	9140190	Circlip	2	14.07.2000

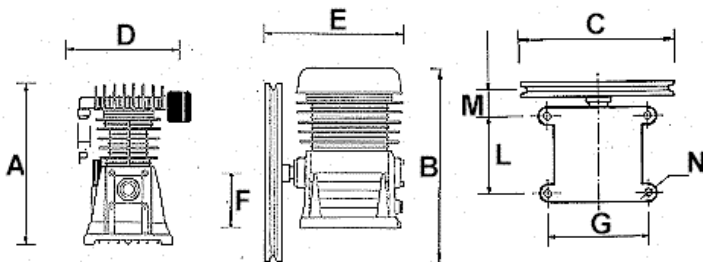
Svc = Service Item

Code: **2R0000B**

B 2800B IBR



Dimensions:



In mm

A	B	C	D	E	F	G	L	M	N	P
280	324	280	235	255	97	162	132	76	9	3/4" F

Box Weight: Kg Box Dimensions: W x D x L: x x

Tightening Torques, Cylinder Head:

Bolt Size:	<input type="text" value="M8"/>	
MinTorque:	<input type="text" value="22.45"/>	Nm
Max Torque:	<input type="text" value="27.43"/>	Nm

Technical Data:

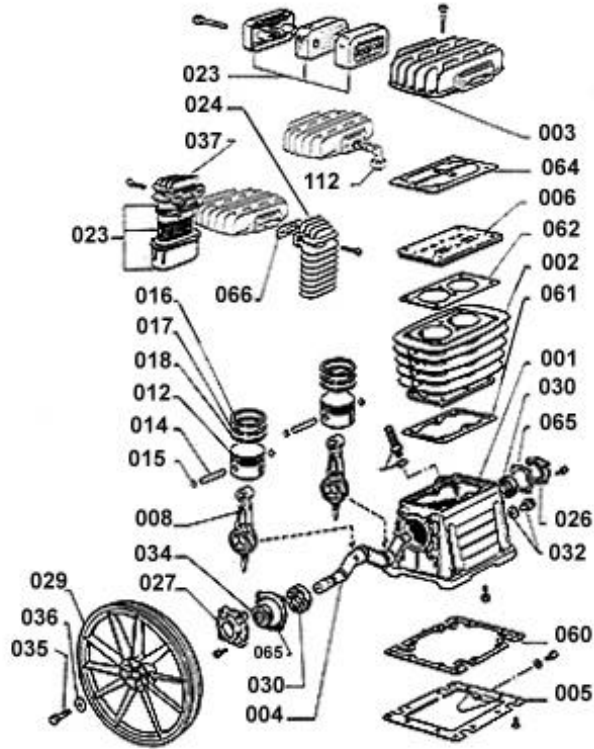
Cylinders:	<input type="text" value="2"/>		
Stages:	<input type="text" value="1"/>		
Air Flow:	<input type="text" value="270"/>	L/m in	<input type="text" value="9,5"/> cfm
Power:	<input type="text" value="2,2"/>	Kw	<input type="text" value="3"/> HP
Speed:	<input type="text" value="1570"/>	rpm	
Max Pressure:	<input type="text" value="9"/>	Bar	<input type="text" value="131"/> psi

<i>Svc</i>	<i>Ref</i>	<i>Code</i>	<i>Description</i>	<i>Qty</i>	<i>Modified</i>
<input checked="" type="checkbox"/>	000	2R50055	Gasket Kit	1	
<input type="checkbox"/>	001	2860100	Crankase	1	
<input type="checkbox"/>	002	2R30000	Cylinder	1	
<input type="checkbox"/>	003	2860400	Pump head	1	29.10.2000
<input type="checkbox"/>	003	3860400	Pump head	1	
<input type="checkbox"/>	004	2R60200	Crankshaft	1	
<input type="checkbox"/>	005	2660160	Sump base	1	
<input checked="" type="checkbox"/>	006	2840050	Valve plate assy.	1	
<input type="checkbox"/>	022	9014011	Oil dipper	2	
<input type="checkbox"/>	023	2281000	Filter	1	29.10.2000
<input checked="" type="checkbox"/>	023	2881000	Filter	1	
<input type="checkbox"/>	024	2870100	Aftercooler	1	
<input type="checkbox"/>	024	1070100	Aftercooler	1	01.04.2001
<input type="checkbox"/>	026	2060690	Cover N.D.E.	1	
<input type="checkbox"/>	027	2060590	Cover D.E.	1	
<input type="checkbox"/>	029	2600100	Flyw heel	1	
<input type="checkbox"/>	030	9170030	Bearing	2	
<input type="checkbox"/>	032	9022005	Oil sight glass	1	
<input type="checkbox"/>	033	9024021	Oil fill plug	1	31.05.2001
<input type="checkbox"/>	033	9024029	Oil fill plug	1	
<input type="checkbox"/>	034	9163010	Oil seal	1	
<input type="checkbox"/>	035	9110014	Screw	1	
<input type="checkbox"/>	036	9004008	Fly w heel w asher	1	

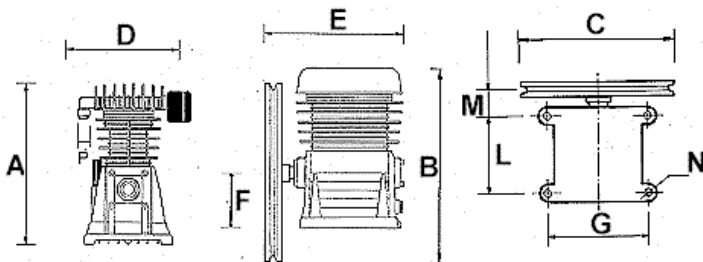
Svc = Service Item

Code: 3600000

B 3800



Dimensions:



In mm

A	B	C	D	E	F	G	L	M	N	P
341	383	330	186	284	165	156	140	91	9	1/2" F

Box Weight: 11.5 Kg Box Dimensions: W x D x L: 301 x 341 x 402

Tightening Torques, Cylinder Head:

Bolt Size:	M8	
Min Torque:	22.45	Nm
Max Torque:	27.43	Nm

Technical Data:

Cylinders:	2		
Stages:	1		
Air Flow:	394	L/m in	13,9 cfm
Power:	2,2	Kw	3 HP
Speed:	1200	rpm	
Max Pressure:	9	Bar	131 psi

Code:
B 3800

3600000



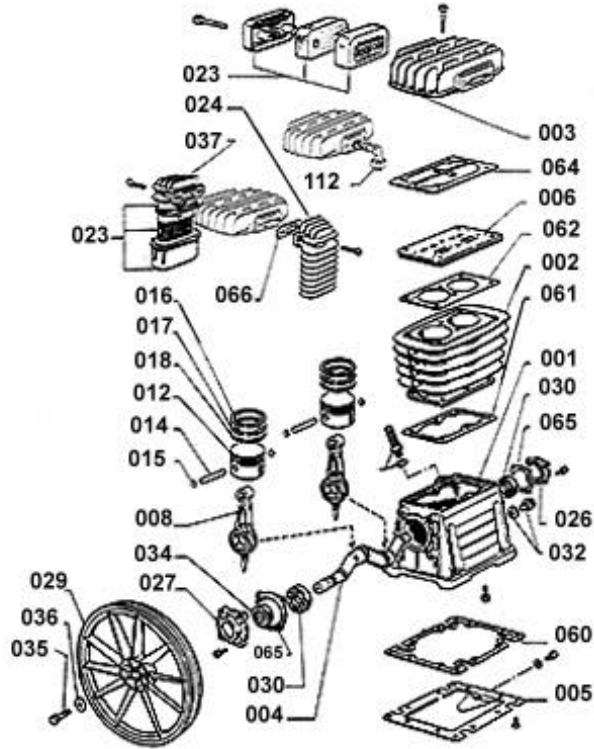
<i>Svc</i>	<i>Ref</i>	<i>Code</i>	<i>Description</i>	<i>Qty</i>	<i>Modified</i>
<input checked="" type="checkbox"/>	000	3650055	Gasket Kit	1	
<input type="checkbox"/>	001	3660100	Crankase	1	
<input type="checkbox"/>	002	3637091	Cylinder	1	
<input type="checkbox"/>	002	3630000	Cylinder	1	
<input type="checkbox"/>	003	3860401	Pump head	1	
<input type="checkbox"/>	003	2860401	Pump head	1	29.10.2000
<input type="checkbox"/>	004	3660200	Crankshaft	1	
<input type="checkbox"/>	005	3660160	Sump base	1	
<input checked="" type="checkbox"/>	006	2840050	Valve plate assy.	1	
<input type="checkbox"/>	008	3610100	Connecting rod	2	
<input type="checkbox"/>	012	3621100	Piston D. Pin D.	2	
<input type="checkbox"/>	012	1421100	Piston D. Pin D.	2	31.08.2001
<input type="checkbox"/>	014	3021200	Pin	2	
<input type="checkbox"/>	015	9140040	Circlip	4	
<input type="checkbox"/>	016	9020011	Piston ring AC	2	
<input type="checkbox"/>	017	9020041	Piston ring ROS	2	
<input type="checkbox"/>	018	9020071	Piston ring ROF	2	
<input checked="" type="checkbox"/>	023	2881000	Filter	1	
<input type="checkbox"/>	023	2281000	Filter	1	29.10.2000
<input type="checkbox"/>	026	2060690	Cover N.D.E.	1	
<input type="checkbox"/>	027	2060590	Cover D.E.	1	
<input type="checkbox"/>	029	3600100	Flyw heel	1	
<input type="checkbox"/>	029	2000101	Flyw heel	1	01.04.2001
<input type="checkbox"/>	030	9170030	Bearing	2	
<input type="checkbox"/>	032	9022001	Oil sight glass	1	
<input type="checkbox"/>	033	9024021	Oil fill plug	1	31.05.2001
<input type="checkbox"/>	033	9024029	Oil fill plug	1	
<input type="checkbox"/>	033	9024010	Oil fill plug	1	30.04.1999
<input type="checkbox"/>	033	9024003	Oil fill plug	1	03.03.1999
<input type="checkbox"/>	034	9163010	Oil seal	1	
<input type="checkbox"/>	035	9110014	Screw	1	
<input type="checkbox"/>	036	9004008	Fly w heel w asher	1	

Svc = Service Item

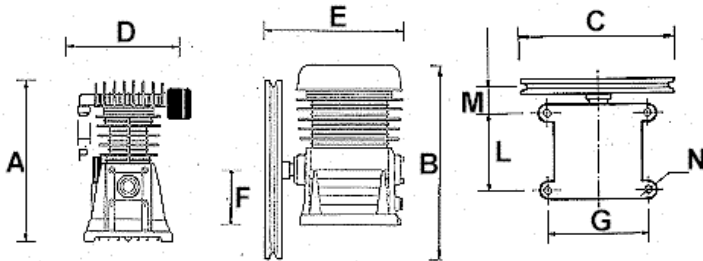
Code:

360000B

B 3800 B



Dimensions:



In mm

A	B	C	D	E	F	G	L	M	N	P
341	383	330	259	284	165	156	140	91	9	1" F

Box Weight: Kg Box Dimensions: W x D x L: x x

Tightening Torques, Cylinder Head:

Bolt Size:	<input type="text" value="M8"/>	
Min Torque:	<input type="text" value="22.45"/>	Nm
Max Torque:	<input type="text" value="27.43"/>	Nm

Technical Data:

Cylinders:	<input type="text" value="2"/>		
Stages:	<input type="text" value="1"/>		
Air Flow:	<input type="text" value="476"/>	L/m in	<input type="text" value="16,8"/> cfm
Power:	<input type="text" value="3"/>	Kw	<input type="text" value="4"/> HP
Speed:	<input type="text" value="1450"/>	rpm	
Max Pressure:	<input type="text" value="9"/>	Bar	<input type="text" value="131"/> psi

Code:
B 3800 B

360000B



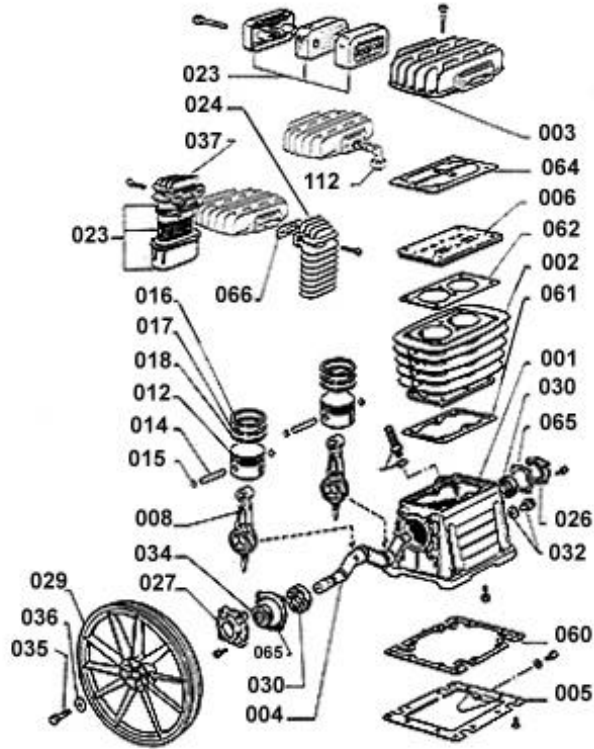
<i>Svc</i>	<i>Ref</i>	<i>Code</i>	<i>Description</i>	<i>Qty</i>	<i>Modified</i>
<input checked="" type="checkbox"/>	000	3650055	Gasket Kit	1	
<input type="checkbox"/>	001	3660100	Crankase	1	
<input type="checkbox"/>	002	3637091	Cylinder	1	
<input type="checkbox"/>	002	3630000	Cylinder	1	
<input type="checkbox"/>	003	3860400	Pump head	1	
<input type="checkbox"/>	003	2860400	Pump head	1	29.10.2000
<input type="checkbox"/>	004	3660200	Crankshaft	1	
<input type="checkbox"/>	005	3660160	Sump base	1	
<input checked="" type="checkbox"/>	006	2840050	Valve plate assy.	1	
<input type="checkbox"/>	008	3610100	Connecting rod	2	
<input type="checkbox"/>	012	3621100	Piston D. Pin D.	2	
<input type="checkbox"/>	012	1421100	Piston D. Pin D.	2	31.08.2001
<input type="checkbox"/>	014	3021200	Pin	2	
<input type="checkbox"/>	015	9140040	Circlip	4	
<input type="checkbox"/>	016	9020011	Piston ring AC	2	
<input type="checkbox"/>	017	9020041	Piston ring ROS	2	
<input type="checkbox"/>	018	9020071	Piston ring ROF	2	
<input checked="" type="checkbox"/>	023	2881000	Filter	1	
<input type="checkbox"/>	023	2281000	Filter	1	29.10.2000
<input type="checkbox"/>	024	2070100	Aftercooler	1	30.04.1999
<input type="checkbox"/>	024	1070100	Aftercooler	1	31.01.1999
<input type="checkbox"/>	024	3670100	Aftercooler	1	01.04.2001
<input type="checkbox"/>	024	2870100	Aftercooler	1	
<input type="checkbox"/>	026	2060690	Cover N.D.E.	1	
<input type="checkbox"/>	027	2060590	Cover D.E.	1	
<input type="checkbox"/>	029	3600100	Flyw heel	1	
<input type="checkbox"/>	029	2000101	Flyw heel	1	01.04.2001
<input type="checkbox"/>	030	9170030	Bearing	2	
<input type="checkbox"/>	032	9022001	Oil sight glass	1	
<input type="checkbox"/>	033	9024029	Oil fill plug	1	
<input type="checkbox"/>	033	9024003	Oil fill plug	1	03.03.1999
<input type="checkbox"/>	033	9024021	Oil fill plug	1	31.05.2001
<input type="checkbox"/>	033	9024010	Oil fill plug	1	30.04.1999
<input type="checkbox"/>	034	9163010	Oil seal	1	
<input type="checkbox"/>	035	9110014	Screw	1	
<input type="checkbox"/>	036	9004008	Fly w heel w asher	1	

Svc = Service Item

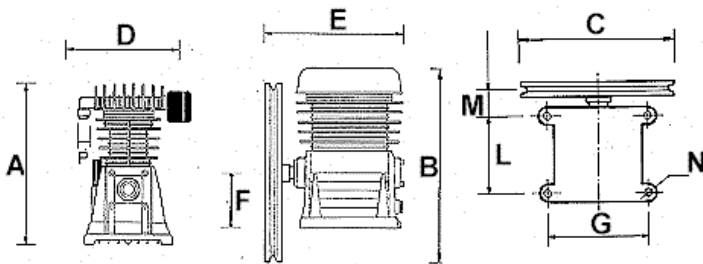
Code:

3700000

NS 18



Dimensions:



In mm

A	B	C	D	E	F	G	L	M	N	P
341	383	330	186	284	165	156	140	91	9	1/2" F

Box Weight: Kg Box Dimensions: W x D x L: x x

Tightening Torques, Cylinder Head:

Bolt Size:	<input type="text" value="M8"/>	
Min Torque:	<input type="text" value="22.45"/>	Nm
Max Torque:	<input type="text" value="27.43"/>	Nm

Technical Data:

Cylinders:	<input type="text" value="2"/>			
Stages:	<input type="text" value="1"/>			
Air Flow:	<input type="text" value="394"/>	L/m in	<input type="text" value="13,9"/>	cfm
Power:	<input type="text" value="2,2"/>	Kw	<input type="text" value="3"/>	HP
Speed:	<input type="text" value="1200"/>	rpm		
Max Pressure:	<input type="text" value="9"/>	Bar	<input type="text" value="131"/>	psi

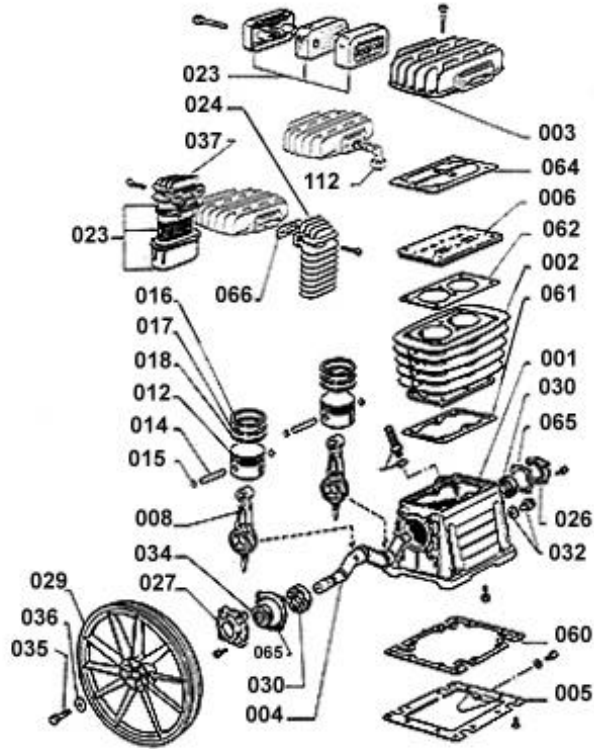
<i>Svc</i>	<i>Ref</i>	<i>Code</i>	<i>Description</i>	<i>Qty</i>	<i>Modified</i>
<input checked="" type="checkbox"/>	000	3650055	Gasket Kit	1	
<input type="checkbox"/>	001	3660100	Crankase	1	
<input type="checkbox"/>	002	3631091	Cylinder	1	31.10.2000
<input type="checkbox"/>	002	3630001	Cylinder	1	
<input type="checkbox"/>	002	3637091	Cylinder	1	
<input type="checkbox"/>	003	3860401	Pump head	1	
<input type="checkbox"/>	003	2860401	Pump head	1	29.10.2000
<input type="checkbox"/>	004	3660200	Crankshaft	1	
<input type="checkbox"/>	005	3660160	Sump base	1	
<input checked="" type="checkbox"/>	006	2840050	Valve plate assy.	1	
<input type="checkbox"/>	008	3610100	Connecting rod	2	
<input type="checkbox"/>	012	3621100	Piston D. Pin D.	2	
<input type="checkbox"/>	012	1421100	Piston D. Pin D.	2	31.08.2001
<input type="checkbox"/>	014	3021200	Pin	2	
<input type="checkbox"/>	015	9140040	Circlip	4	
<input type="checkbox"/>	016	9020011	Piston ring AC	2	
<input type="checkbox"/>	017	9020041	Piston ring ROS	2	
<input type="checkbox"/>	018	9020071	Piston ring ROF	2	
<input type="checkbox"/>	023	2281000	Filter	1	29.10.2000
<input checked="" type="checkbox"/>	023	2881000	Filter	1	
<input type="checkbox"/>	026	2060690	Cover N.D.E.	1	
<input type="checkbox"/>	027	2060590	Cover D.E.	1	
<input type="checkbox"/>	029	2000101	Flyw heel	1	01.04.2001
<input type="checkbox"/>	029	3600100	Flyw heel	1	
<input type="checkbox"/>	030	9170030	Bearing	2	
<input type="checkbox"/>	032	9022001	Oil sight glass	1	
<input type="checkbox"/>	033	9024003	Oil fill plug	1	03.03.1999
<input type="checkbox"/>	033	9024021	Oil fill plug	1	31.05.2001
<input type="checkbox"/>	033	9024029	Oil fill plug	1	
<input type="checkbox"/>	033	9024010	Oil fill plug	1	30.04.1999
<input type="checkbox"/>	034	9163010	Oil seal	1	
<input type="checkbox"/>	035	9110014	Screw	1	
<input type="checkbox"/>	036	9004008	Fly w heel w asher	1	

Svc = Service Item

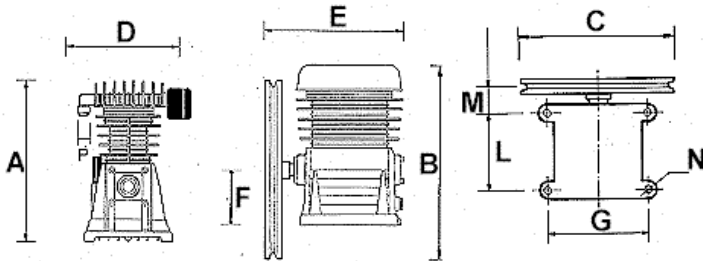
Code:

370000A

NS 18 B



Dimensions:



In mm

A	B	C	D	E	F	G	L	M	N	P
341	383	330	259	284	165	156	140	91	9	1" F

Box Weight: Kg Box Dimensions: W x D x L: x x

Tightening Torques, Cylinder Head:

Bolt Size:	<input type="text" value="M8"/>	
Min Torque:	<input type="text" value="22.45"/>	Nm
Max Torque:	<input type="text" value="27.43"/>	Nm

Technical Data:

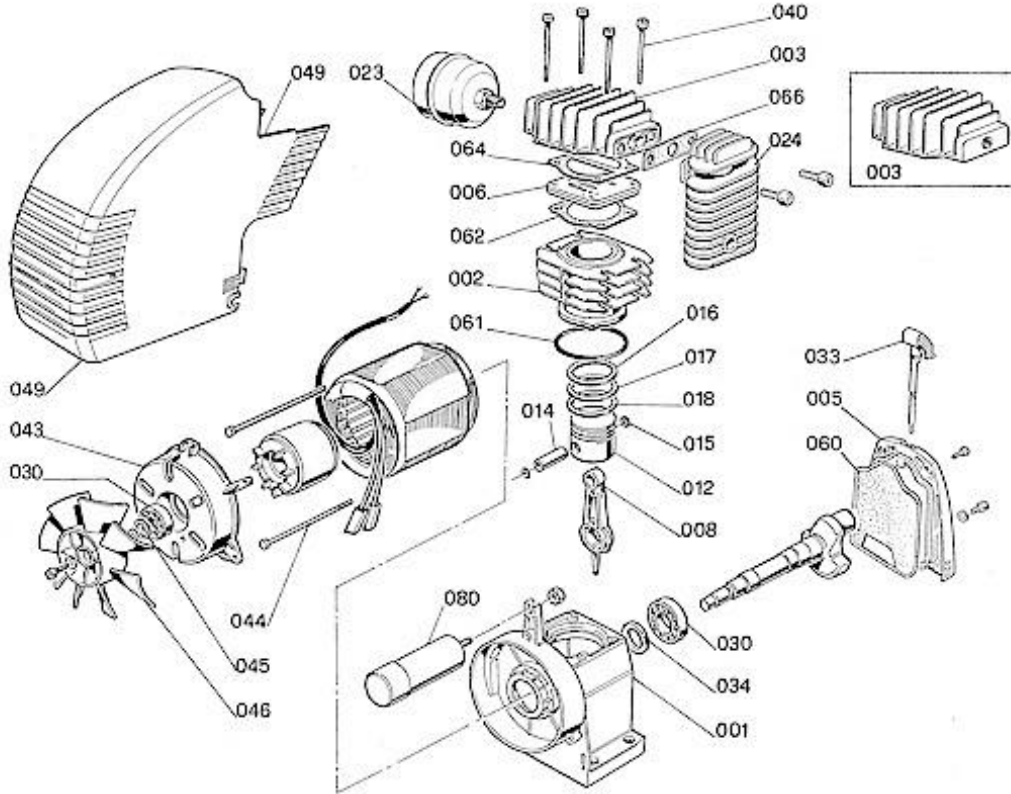
Cylinders:	<input type="text" value="2"/>		
Stages:	<input type="text" value="1"/>		
Air Flow:	<input type="text" value="476"/>	L/m in	<input type="text" value="16,8"/> cfm
Power:	<input type="text" value="3"/>	Kw	<input type="text" value="4"/> HP
Speed:	<input type="text" value="1450"/>	rpm	
Max Pressure:	<input type="text" value="9"/>	Bar	<input type="text" value="131"/> psi

<i>Svc</i>	<i>Ref</i>	<i>Code</i>	<i>Description</i>	<i>Qty</i>	<i>Modified</i>
<input checked="" type="checkbox"/>	000	3650055	Gasket Kit	1	
<input type="checkbox"/>	001	3660100	Crankase	1	
<input type="checkbox"/>	002	3631091	Cylinder	1	31.10.2000
<input type="checkbox"/>	002	3637091	Cylinder	1	
<input type="checkbox"/>	002	3630001	Cylinder	1	
<input type="checkbox"/>	003	3860400	Pump head	1	
<input type="checkbox"/>	003	2860400	Pump head	1	29.10.2000
<input type="checkbox"/>	004	3660200	Crankshaft	1	
<input type="checkbox"/>	005	3660160	Sump base	1	
<input checked="" type="checkbox"/>	006	2840050	Valve plate assy.	1	
<input type="checkbox"/>	008	3610100	Connecting rod	2	
<input type="checkbox"/>	012	1421100	Piston D. Pin D.	2	31.08.2001
<input type="checkbox"/>	012	3621100	Piston D. Pin D.	2	
<input type="checkbox"/>	014	3021200	Pin	2	
<input type="checkbox"/>	015	9140040	Circlip	4	
<input type="checkbox"/>	016	9020011	Piston ring AC	2	
<input type="checkbox"/>	017	9020041	Piston ring ROS	2	
<input type="checkbox"/>	018	9020071	Piston ring ROF	2	
<input checked="" type="checkbox"/>	023	2081000	Filter	1	
<input type="checkbox"/>	024	2870100	Aftercooler	1	
<input type="checkbox"/>	024	2070100	Aftercooler	1	30.04.1999
<input type="checkbox"/>	024	3670100	Aftercooler	1	01.04.2001
<input type="checkbox"/>	026	2060690	Cover N.D.E.	1	
<input type="checkbox"/>	027	2060590	Cover D.E.	1	
<input type="checkbox"/>	029	2000101	Flyw heel	1	01.04.2001
<input type="checkbox"/>	029	3600100	Flyw heel	1	
<input type="checkbox"/>	030	9170030	Bearing	2	
<input type="checkbox"/>	032	9022001	Oil sight glass	1	
<input type="checkbox"/>	033	9024003	Oil fill plug	1	03.03.1999
<input type="checkbox"/>	033	9024021	Oil fill plug	1	31.05.2001
<input type="checkbox"/>	033	9024010	Oil fill plug	1	30.04.1999
<input type="checkbox"/>	033	9024029	Oil fill plug	1	
<input type="checkbox"/>	034	9163010	Oil seal	1	
<input type="checkbox"/>	035	9110014	Screw	1	
<input type="checkbox"/>	036	9004008	Fly w heel w asher	1	
<input type="checkbox"/>	037	2080100	Filter support	1	
<input type="checkbox"/>	038	9011010	Filter rod	1	
<input type="checkbox"/>	039	9126021	Wing nut	1	

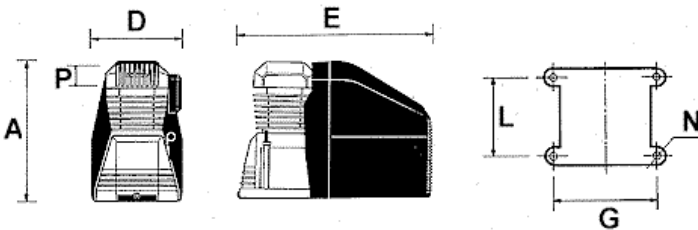
Svc = Service Item

Code: 1M00000

D3 HP 2,5



Dimensions:



In mm

A	B	C	D	E	F	G	L	M	N	P
274			235	355		139	64		9	3/8" F

Box Weight: 14 Kg Box Dimensions: W x D x L: 186 x 396 x 302

Tightening Torques, Cylinder Head:

Bolt Size:	M6	
MinTorque:	9.3	Nm
Max Torque:	11.36	Nm

Technical Data:

Cylinders:	1		
Stages:	1		
Air Flow:	260	L/m in	9,2 cfm
Power:	1,8	Kw	2,5 HP
Speed:	2850	rpm	
Max Pressure:	8	Bar	116 psi

Code:
D3 HP 2,5

1M00000

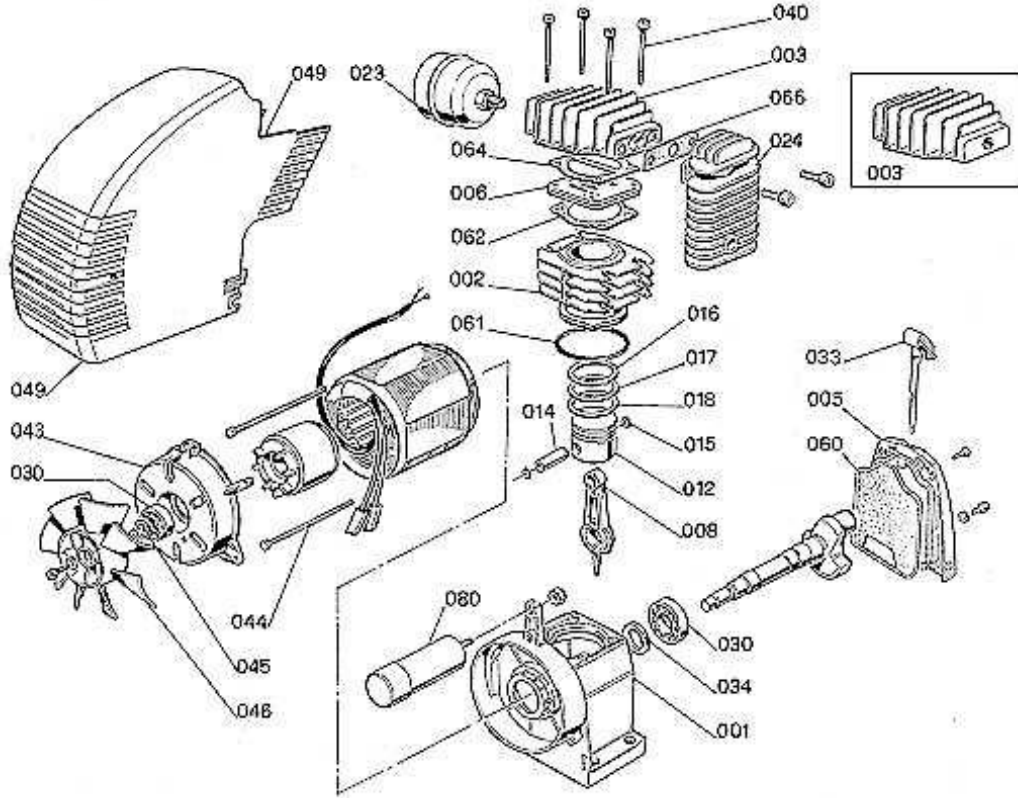


<i>Svc</i>	<i>Ref</i>	<i>Code</i>	<i>Description</i>	<i>Qty</i>	<i>Modified</i>
<input checked="" type="checkbox"/>	000	7150050	Gasket Kit	1	
<input type="checkbox"/>	001	7161100	Crankase	1	
<input type="checkbox"/>	002	1730000	Cylinder	1	
<input type="checkbox"/>	003	1761401	Pump head	1	
<input type="checkbox"/>	005	6T61300	Sump base	1	
<input checked="" type="checkbox"/>	006	0540051	Valve plate assy.	1	
<input type="checkbox"/>	008	7110100	Connecting rod	1	
<input type="checkbox"/>	012	692110B	Piston D. Pin D.	1	
<input type="checkbox"/>	014	6521200	Pin	1	
<input type="checkbox"/>	015	9140020	Circlip	2	
<input type="checkbox"/>	016	9020039	Piston ring AC	1	
<input type="checkbox"/>	017	9020051	Piston ring ROS	1	
<input type="checkbox"/>	018	9020068	Piston ring ROF	1	
<input checked="" type="checkbox"/>	023	7981000	Filter	1	
<input type="checkbox"/>	030	9170030	Bearing	1	
<input type="checkbox"/>	030	9170091	Bearing	1	
<input type="checkbox"/>	033	9024022	Oil fill plug	1	
<input type="checkbox"/>	034	9163010	Oil seal	1	
<input type="checkbox"/>	040	9011048	Cylinder head bolts	4	
<input type="checkbox"/>	043	6562203	Motor cover	1	
<input type="checkbox"/>	044	9011042	Motor bolts	3	
<input type="checkbox"/>	045	9140160	Circlip	1	
<input type="checkbox"/>	046	9038017	Fan	1	
<input type="checkbox"/>	049	837010D	Cover	1	
<input type="checkbox"/>	080	9067023	Capacitor	1	

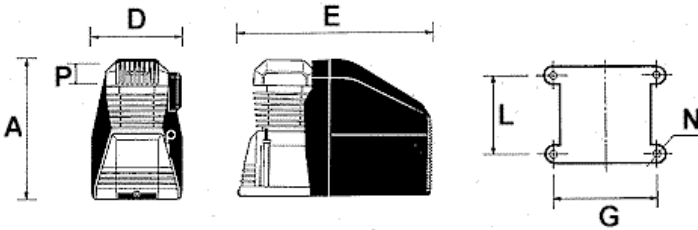
Svc = Service Item

Code: 1N00000

D4 HP 3.0



Dimensions:



In mm

A	B	C	D	E	F	G	L	M	N	P
274			273	355		139	64		9	1/2" M

Box Weight: 14.5 Kg Box Dimensions: W x D x L: 186 x 396 x 302

Tightening Torques, Cylinder Head:

Bolt Size:	M6	
Min Torque:	9.3	Nm
Max Torque:	11.36	Nm

Technical Data:

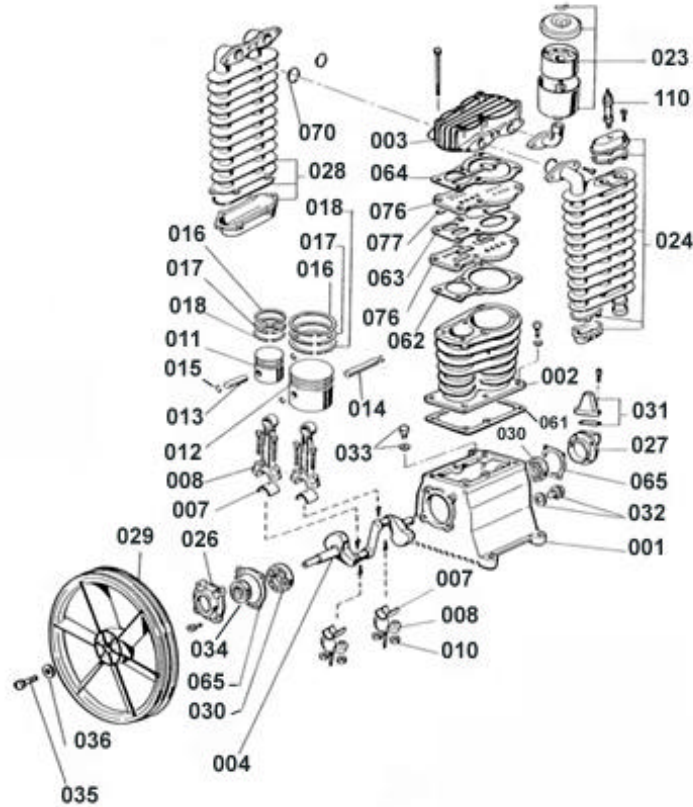
Cylinders:	1		
Stages:	1		
Air Flow:	315	L/m in	11,1 cfm
Power:	2,2	Kw	3 HP
Speed:	2850	rpm	
Max Pressure:	8	Bar	116 psi

<i>Svc</i>	<i>Ref</i>	<i>Code</i>	<i>Description</i>	<i>Qty</i>	<i>Modified</i>
<input checked="" type="checkbox"/>	000	7850050	Gasket Kit	1	
<input type="checkbox"/>	001	7161100	Crankase	1	
<input type="checkbox"/>	002	1830000	Cylinder	1	
<input type="checkbox"/>	003	1761400	Pump head	1	
<input type="checkbox"/>	005	6T61300	Sump base	1	
<input checked="" type="checkbox"/>	006	0540051	Valve plate assy.	1	
<input type="checkbox"/>	008	7110100	Connecting rod	1	
<input type="checkbox"/>	012	7921100	Piston D. Pin D.	1	
<input type="checkbox"/>	014	6721200	Pin	1	
<input type="checkbox"/>	015	9140020	Circlip	2	
<input type="checkbox"/>	016	9020017	Piston ring AC	1	
<input type="checkbox"/>	017	9020034	Piston ring ROS	1	
<input type="checkbox"/>	018	9020064	Piston ring ROF	1	
<input checked="" type="checkbox"/>	023	7981000	Filter	1	
<input type="checkbox"/>	024	8223157	Aftercooler	1	
<input type="checkbox"/>	030	9170091	Bearing	1	
<input type="checkbox"/>	030	9170030	Bearing	1	
<input type="checkbox"/>	033	9024022	Oil fill plug	1	
<input type="checkbox"/>	034	9163010	Oil seal	1	
<input type="checkbox"/>	040	9011048	Cylinder head bolts	4	
<input type="checkbox"/>	043	6562203	Motor cover	1	
<input type="checkbox"/>	044	9011041	Motor bolts	3	
<input type="checkbox"/>	045	9140160	Circlip	1	
<input type="checkbox"/>	046	9038017	Fan	1	
<input type="checkbox"/>	049	837110D	Cover	1	
<input type="checkbox"/>	080	9067015	Capacitor	1	

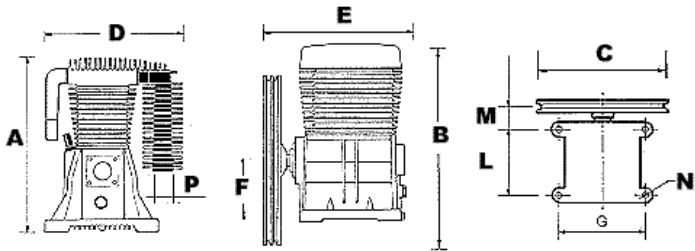
Svc = Service Item

Code: 1120000

NS 39



Dimensions:



In mm

A	B	C	D	E	F	G	L	M	N	P
465	510	380	370	340	140	240	165	90	11	1" F

Box Weight: 29 Kg Box Dimensions: W x D x L: 340 x 400 x 500

Tightening Torques, Cylinder Head:

Bolt Size:	M10	
MinTorque:	45.28	Nm
Max Torque:	55.34	Nm

Technical Data:

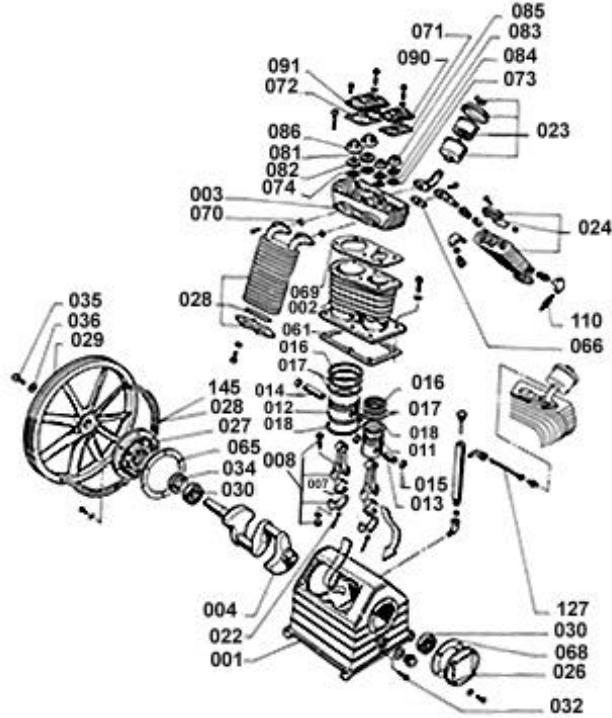
Cylinders:	2		
Stages:	2		
Air Flow:	813	L/m in	28,7 cfm
Power:	5,5	Kw	7,5 HP
Speed:	1250	rpm	
Max Pressure:	12	Bar	174 psi

<i>Svc</i>	<i>Ref</i>	<i>Code</i>	<i>Description</i>	<i>Qty</i>	<i>Modified</i>
<input checked="" type="checkbox"/>	000	3E50055	Gasket Kit	1	
<input type="checkbox"/>	001	D003023	Crankase	1	
<input type="checkbox"/>	002	1000079	Cylinder	1	
<input type="checkbox"/>	003	A012030	Pump head	1	
<input type="checkbox"/>	004	1000014	Crankshaft	1	
<input type="checkbox"/>	007	9013013	Halfbearing	4	
<input type="checkbox"/>	008	1012100	Connecting rod	2	
<input type="checkbox"/>	010	9128234	Self locking nut	4	
<input type="checkbox"/>	011	1000366	Piston D. Pin D.	1	
<input type="checkbox"/>	012	1000359	Piston D. Pin D.	1	
<input type="checkbox"/>	013	1000445	Pin	1	
<input type="checkbox"/>	014	1000495	Pin	1	
<input type="checkbox"/>	015	9140060	Circlip	4	
<input type="checkbox"/>	016	1000441	Piston ring AC	1	
<input type="checkbox"/>	016	1000443	Piston ring AC	1	
<input type="checkbox"/>	017	1000463	Piston ring ROS	1	
<input type="checkbox"/>	017	1000465	Piston ring ROS	2	
<input type="checkbox"/>	018	1000452	Piston ring ROF	1	
<input type="checkbox"/>	018	1000454	Piston ring ROF	1	
<input checked="" type="checkbox"/>	023	1000162	Filter	1	
<input type="checkbox"/>	024	1000090	Aftercooler	1	
<input type="checkbox"/>	026	1000467	Cover N.D.E.	1	
<input type="checkbox"/>	027	1000485	Cover D.E.	1	
<input type="checkbox"/>	028	1000087	Intercooler	1	
<input type="checkbox"/>	029	1000640	Fly wheel	1	
<input type="checkbox"/>	030	9170020	Bearing	2	
<input type="checkbox"/>	031	1000112	Bearing	1	
<input type="checkbox"/>	032	9022001	Oil sight glass	1	
<input type="checkbox"/>	033	1000519	Oil fill plug	1	
<input type="checkbox"/>	034	1000329	Oil seal	1	
<input type="checkbox"/>	035	9110024	Screw	1	
<input type="checkbox"/>	036	9004009	Fly wheel washer	1	
<input type="checkbox"/>	076	1000345	Valve plate	2	
<input checked="" type="checkbox"/>	077	1000527	Reed valves	2	
<input checked="" type="checkbox"/>	077	1000525	Reed valves	2	
<input type="checkbox"/>	110	9049011	Safety valve	1	31.08.2000
<input type="checkbox"/>	110	9049032	Safety valve	1	

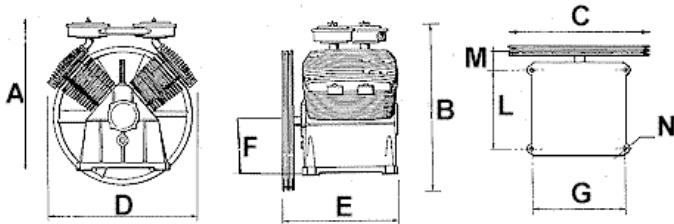
Svc = Service Item

Code: 1190000

NS 89 - B 8900



Dimensions:



In mm

A	B	C	D	E	F	G	L	M	N	P
670	790	620	777	525	190	350	310	105	15	1" M

Box Weight: 162 Kg Box Dimensions: W x D x L: 771 x 631 x 752

Tightening Torques, Cylinder Head:

Bolt Size:	M14
Min Torque:	123 Nm
Max Torque:	150.37 Nm

Technical Data:

Cylinders:	4	
Stages:	2	
Air Flow:	2770 L/m in	97,8 cfm
Power:	18,5 Kw	25 HP
Speed:	1100 rpm	
Max Pressure:	12 Bar	174 psi

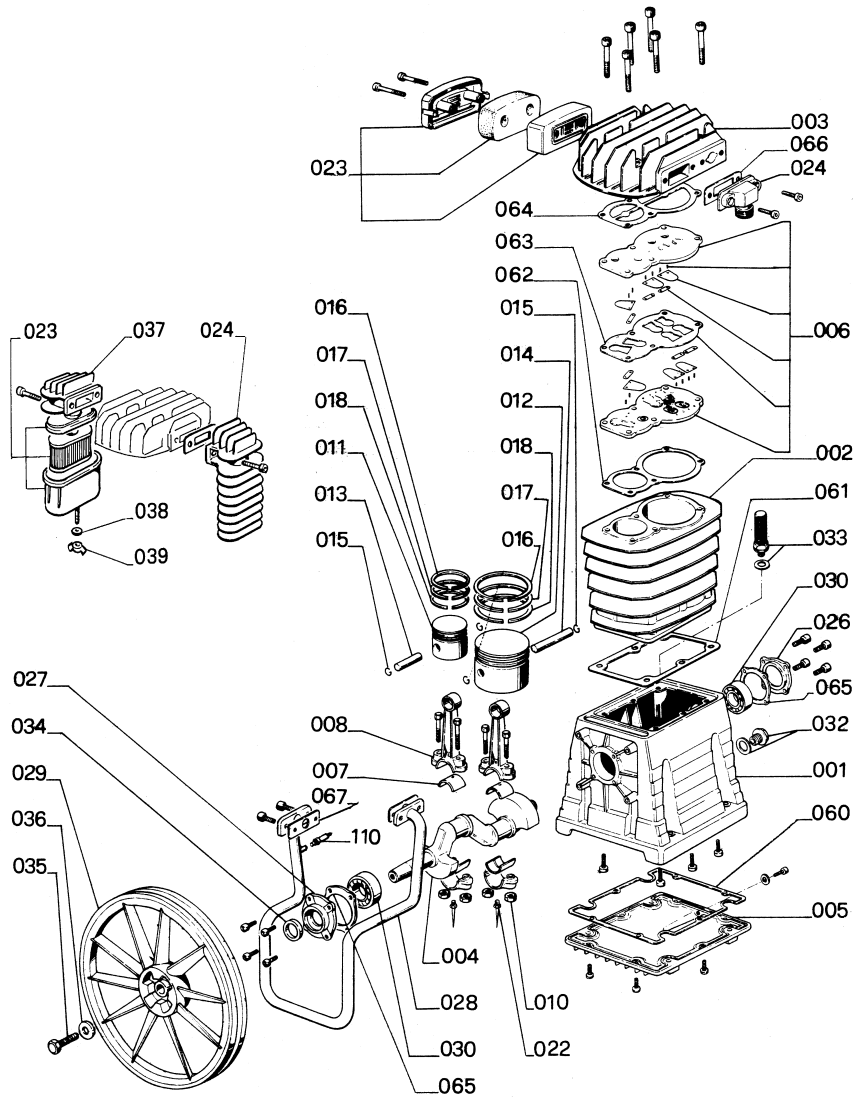
<i>Svc</i>	<i>Ref</i>	<i>Code</i>	<i>Description</i>	<i>Qty</i>	<i>Modified</i>
<input checked="" type="checkbox"/>	000	7P50055	Gasket Kit	1	
<input type="checkbox"/>	001	1000037	Crankase	1	31.01.1999
<input type="checkbox"/>	001	1003037	Crankase	1	
<input type="checkbox"/>	002	1000968	Cylinder	2	
<input type="checkbox"/>	003	1000516	Pump head	2	
<input type="checkbox"/>	004	1000008	Crankshaft	1	
<input type="checkbox"/>	007	1000300	Halfbearing	4	
<input type="checkbox"/>	008	1000044	Connecting rod	4	
<input type="checkbox"/>	011	D018001	Piston D. Pin D.	2	
<input type="checkbox"/>	012	1000966	Piston D. Pin D.	2	
<input type="checkbox"/>	013	1000981	Pin	2	
<input type="checkbox"/>	014	1000980	Pin	2	
<input type="checkbox"/>	015	9140140	Circlip	8	
<input type="checkbox"/>	016	1000974	Piston ring AC	2	
<input type="checkbox"/>	016	1000973	Piston ring AC	2	
<input type="checkbox"/>	017	1000976	Piston ring ROS	4	
<input type="checkbox"/>	017	1000975	Piston ring ROS	4	
<input type="checkbox"/>	018	1000977	Piston ring ROF	2	
<input type="checkbox"/>	018	1000978	Piston ring ROF	2	
<input type="checkbox"/>	022	1000024	Oil dipper	4	
<input checked="" type="checkbox"/>	023	1000162	Filter	2	
<input type="checkbox"/>	024	1000093	Aftercooler	1	
<input type="checkbox"/>	026	1000484	Cover N.D.E.	1	
<input type="checkbox"/>	027	1000476	Cover D.E.	1	
<input type="checkbox"/>	028	1000094	Intercooler	1	
<input type="checkbox"/>	028	1000095	Intercooler	1	
<input type="checkbox"/>	029	1000651	Flyw heel	1	
<input type="checkbox"/>	030	1000130	Bearing	2	
<input type="checkbox"/>	032	9022003	Oil sight glass	1	
<input type="checkbox"/>	034	1000331	Oil seal	1	
<input type="checkbox"/>	035	1000612	Screw	1	
<input type="checkbox"/>	036	9004011	Fly w heel w asher	1	
<input type="checkbox"/>	081	1000933	L.P. discharge valve	2	
<input type="checkbox"/>	082	1000931	L.P. inlet valve	2	
<input type="checkbox"/>	083	1000932	H.P. discharge valve	2	
<input type="checkbox"/>	084	1000930	H.P. inlet valve	2	
<input type="checkbox"/>	085	1001963	H.P. valve lantern	4	
<input type="checkbox"/>	086	1001962	L.P. valve lantern	4	
<input type="checkbox"/>	090	1000115	H.P. valve cover	2	
<input type="checkbox"/>	091	1000116	L.P. valve cover	2	
<input type="checkbox"/>	110	5000450	Safety valve	1	04.10.1999
<input type="checkbox"/>	110	9049058	Safety valve	1	
<input type="checkbox"/>	110	9049040	Safety valve	1	16.01.2000
<input type="checkbox"/>	127	9270005	Rilsan tube	0	
<input type="checkbox"/>	145	D069001	Delivery pipe	1	01.12.1996
<input type="checkbox"/>	145	D069002	Delivery pipe	1	

Svc = Service Item

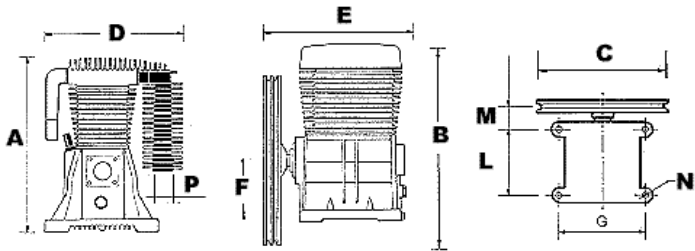
Code:

470000B

NS 29S



Dimensions:



In mm

A	B	C	D	E	F	G	L	M	N	P
363	424	370	250	307	124	174	146	105	11	1" F

Box Weight: Kg Box Dimensions: W x D x L: x x

Tightening Torques, Cylinder Head:

Bolt Size:	<input type="text" value="M8"/>	
MinTorque:	<input type="text" value="22.45"/>	Nm
Max Torque:	<input type="text" value="27.43"/>	Nm

Technical Data:

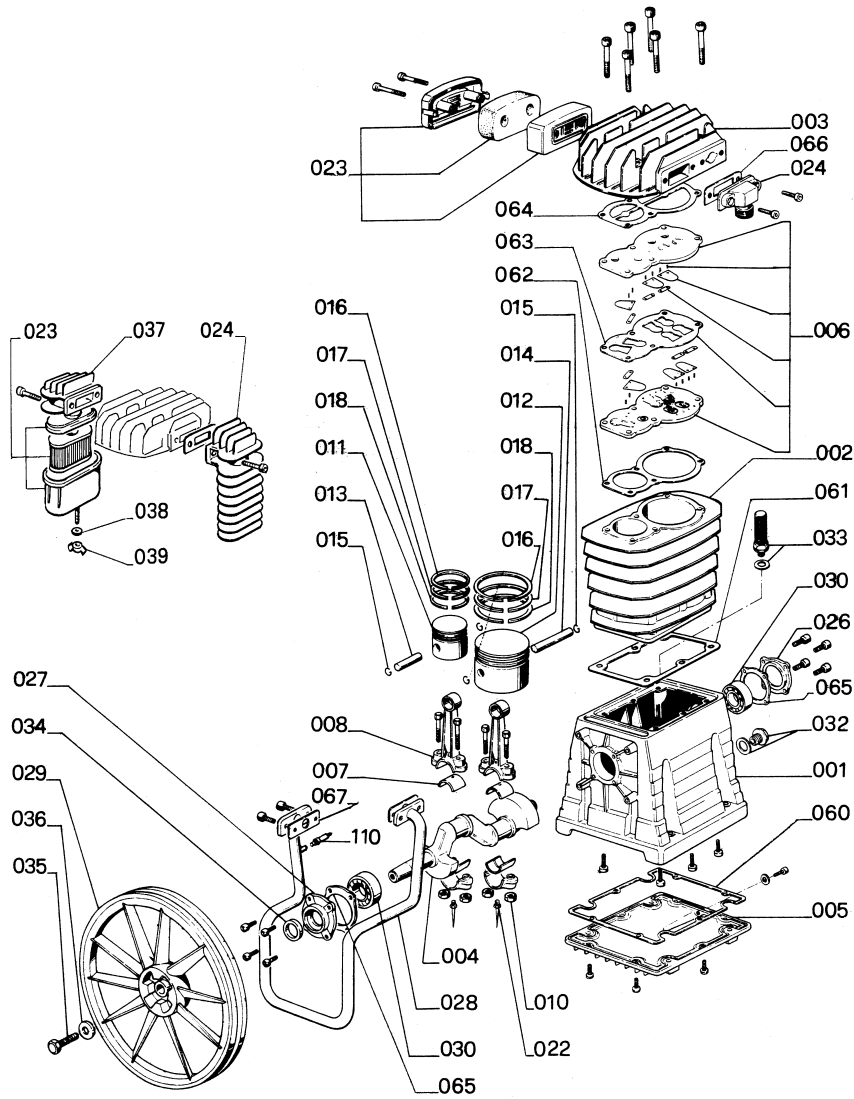
Cylinders:	<input type="text" value="2"/>			
Stages:	<input type="text" value="2"/>			
Air Flow:	<input type="text" value="514"/>	L/m in	<input type="text" value="18,1"/>	cfm
Power:	<input type="text" value="3"/>	Kw	<input type="text" value="4"/>	HP
Speed:	<input type="text" value="1450"/>	rpm		
Max Pressure:	<input type="text" value="12"/>	Bar	<input type="text" value="174"/>	psi

<i>Svc</i>	<i>Ref</i>	<i>Code</i>	<i>Description</i>	<i>Qty</i>	<i>Modified</i>
<input checked="" type="checkbox"/>	000	4950055	Gasket Kit	1	
<input type="checkbox"/>	001	4960100	Crankase	1	
<input type="checkbox"/>	002	4930001	Cylinder	1	31.05.1998
<input type="checkbox"/>	002	4937090	Cylinder	1	
<input type="checkbox"/>	002	4930002	Cylinder	1	
<input type="checkbox"/>	003	4961400	Pump head	1	
<input type="checkbox"/>	004	4961200	Crankshaft	1	
<input type="checkbox"/>	005	4961300	Sump base	1	
<input checked="" type="checkbox"/>	006	4940050	Valve plate assy.	1	
<input type="checkbox"/>	007	9013011	Halfbearing	4	
<input type="checkbox"/>	008	4011101	Connecting rod	2	
<input type="checkbox"/>	010	9128234	Self locking nut	4	
<input type="checkbox"/>	011	4621100	Piston D. Pin D.	1	
<input type="checkbox"/>	012	4922100	Piston D. Pin D.	1	
<input type="checkbox"/>	013	4621200	Pin	1	
<input type="checkbox"/>	014	4922200	Pin	1	
<input type="checkbox"/>	015	9140050	Circlip	4	
<input type="checkbox"/>	016	9020055	Piston ring AC	1	
<input type="checkbox"/>	016	9020023	Piston ring AC	1	
<input type="checkbox"/>	017	9020053	Piston ring ROS	1	
<input type="checkbox"/>	017	9020056	Piston ring ROS	1	
<input type="checkbox"/>	018	9020057	Piston ring ROF	1	
<input type="checkbox"/>	018	9020086	Piston ring ROF	1	
<input checked="" type="checkbox"/>	023	4981000	Filter	1	
<input type="checkbox"/>	023	2281000	Filter	1	27.06.1999
<input type="checkbox"/>	024	2070100	Aftercooler	1	
<input type="checkbox"/>	026	2060690	Cover N.D.E.	1	
<input type="checkbox"/>	027	2060590	Cover D.E.	1	
<input type="checkbox"/>	028	4662010	Intercooler	1	
<input type="checkbox"/>	029	4000100	Fly wheel	1	
<input type="checkbox"/>	030	9170030	Bearing	2	
<input type="checkbox"/>	032	9022001	Oil sight glass	1	
<input type="checkbox"/>	033	9024010	Oil fill plug	1	
<input type="checkbox"/>	034	9163010	Oil seal	1	
<input type="checkbox"/>	035	9110014	Screw	1	
<input type="checkbox"/>	036	9004008	Fly wheel washer	1	
<input type="checkbox"/>	110	9049020	Safety valve	1	

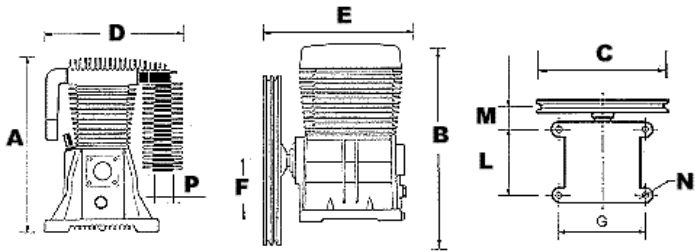
Svc = Service Item

Code: 4900000

B 4900



Dimensions:



In mm

A	B	C	D	E	F	G	L	M	N	P
363	424	370	210	307	124	174	146	105	11	1/2" F

Box Weight: 15 Kg Box Dimensions: W x D x L: 301 x 376 x 432

Tightening Torques, Cylinder Head:

Bolt Size:	M8
Min Torque:	22.45 Nm
Max Torque:	27.43 Nm

Technical Data:

Cylinders:	2	
Stages:	2	
Air Flow:	514 L/m in	18,1 cfm
Power:	3 Kw	4 HP
Speed:	1450 rpm	
Max Pressure:	12 Bar	174 psi

Code:
B 4900

4900000

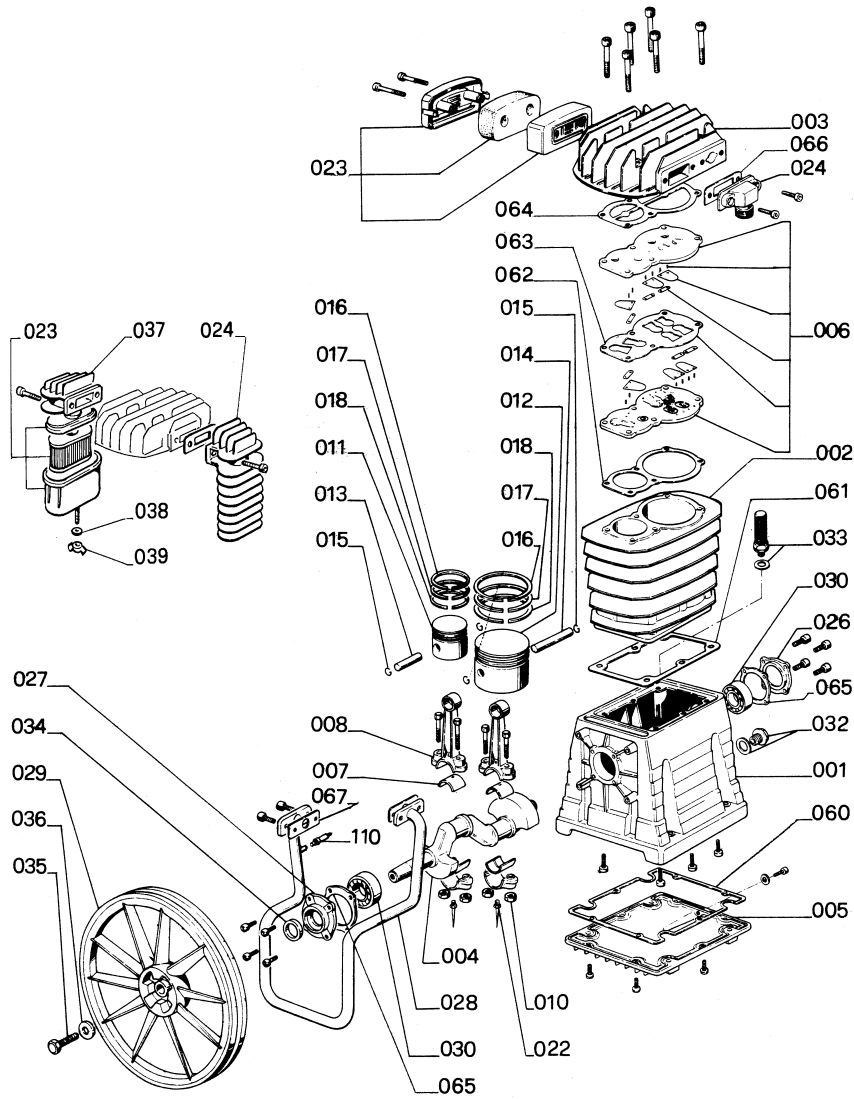


<i>Svc</i>	<i>Ref</i>	<i>Code</i>	<i>Description</i>	<i>Qty</i>	<i>Modified</i>
<input checked="" type="checkbox"/>	000	4950055	Gasket Kit	1	
<input type="checkbox"/>	001	4960100	Crankase	1	
<input type="checkbox"/>	002	4930000	Cylinder	1	
<input type="checkbox"/>	003	4961400	Pump head	1	
<input type="checkbox"/>	004	4961200	Crankshaft	1	
<input type="checkbox"/>	005	4961300	Sump base	1	
<input checked="" type="checkbox"/>	006	4940050	Valve plate assy.	1	
<input type="checkbox"/>	007	9013011	Halfbearing	4	
<input type="checkbox"/>	008	4011100	Connecting rod	2	01.10.1996
<input type="checkbox"/>	008	4011101	Connecting rod	2	
<input type="checkbox"/>	010	9128234	Self locking nut	4	
<input type="checkbox"/>	011	4621100	Piston D. Pin D.	1	
<input type="checkbox"/>	012	4922100	Piston D. Pin D.	1	
<input type="checkbox"/>	013	4621200	Pin	1	
<input type="checkbox"/>	014	4922200	Pin	1	
<input type="checkbox"/>	015	9140050	Circlip	4	
<input type="checkbox"/>	016	9020023	Piston ring AC	1	
<input type="checkbox"/>	016	9020055	Piston ring AC	1	
<input type="checkbox"/>	017	9020056	Piston ring ROS	1	
<input type="checkbox"/>	017	9020053	Piston ring ROS	1	
<input type="checkbox"/>	018	9020086	Piston ring ROF	1	
<input type="checkbox"/>	018	9020057	Piston ring ROF	1	
<input type="checkbox"/>	022	9014003	Oil dipper	2	01.10.1996
<input type="checkbox"/>	023	2281000	Filter	1	27.06.1999
<input checked="" type="checkbox"/>	023	4981000	Filter	1	
<input type="checkbox"/>	024	2270100	Aftercooler	1	18.06.1991
<input type="checkbox"/>	024	3970100	Aftercooler	1	
<input type="checkbox"/>	026	2060690	Cover N.D.E.	1	
<input type="checkbox"/>	027	2060590	Cover D.E.	1	
<input type="checkbox"/>	028	4662010	Intercooler	1	
<input type="checkbox"/>	028	4662000	Intercooler	1	31.12.1993
<input type="checkbox"/>	029	4000100	Fly wheel	1	
<input type="checkbox"/>	030	9170010	Bearing	2	31.05.1997
<input type="checkbox"/>	030	9170030	Bearing	2	
<input type="checkbox"/>	032	9022001	Oil sight glass	1	
<input type="checkbox"/>	033	9024010	Oil fill plug	1	
<input type="checkbox"/>	034	9163010	Oil seal	1	
<input type="checkbox"/>	035	9110012	Screw	1	22.10.1996
<input type="checkbox"/>	035	9110014	Screw	1	
<input type="checkbox"/>	036	9004008	Fly wheel washer	1	
<input type="checkbox"/>	110	9049020	Safety valve	1	

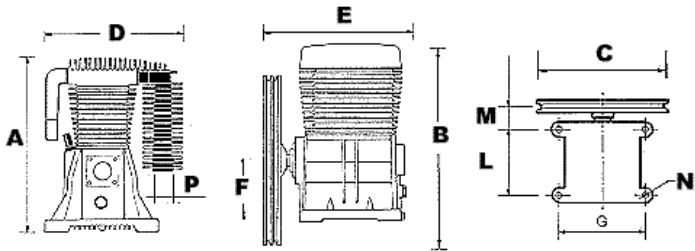
Svc = Service Item

Code: 490000A

B 4900A



Dimensions:



In mm

A	B	C	D	E	F	G	L	M	N	P
363	424	370	250	307	124	174	146	105	11	1" F

Box Weight: 15.5 Kg Box Dimensions: W x D x L: 301 x 376 x 432

Tightening Torques, Cylinder Head:

Bolt Size:	M8	
Min Torque:	22.45	Nm
Max Torque:	27.43	Nm

Technical Data:

Cylinders:	2		
Stages:	2		
Air Flow:	514	L/m in	18,1 cfm
Power:	3	Kw	4 HP
Speed:	1450	rpm	
Max Pressure:	12	Bar	174 psi

Code:
B 4900A

490000A



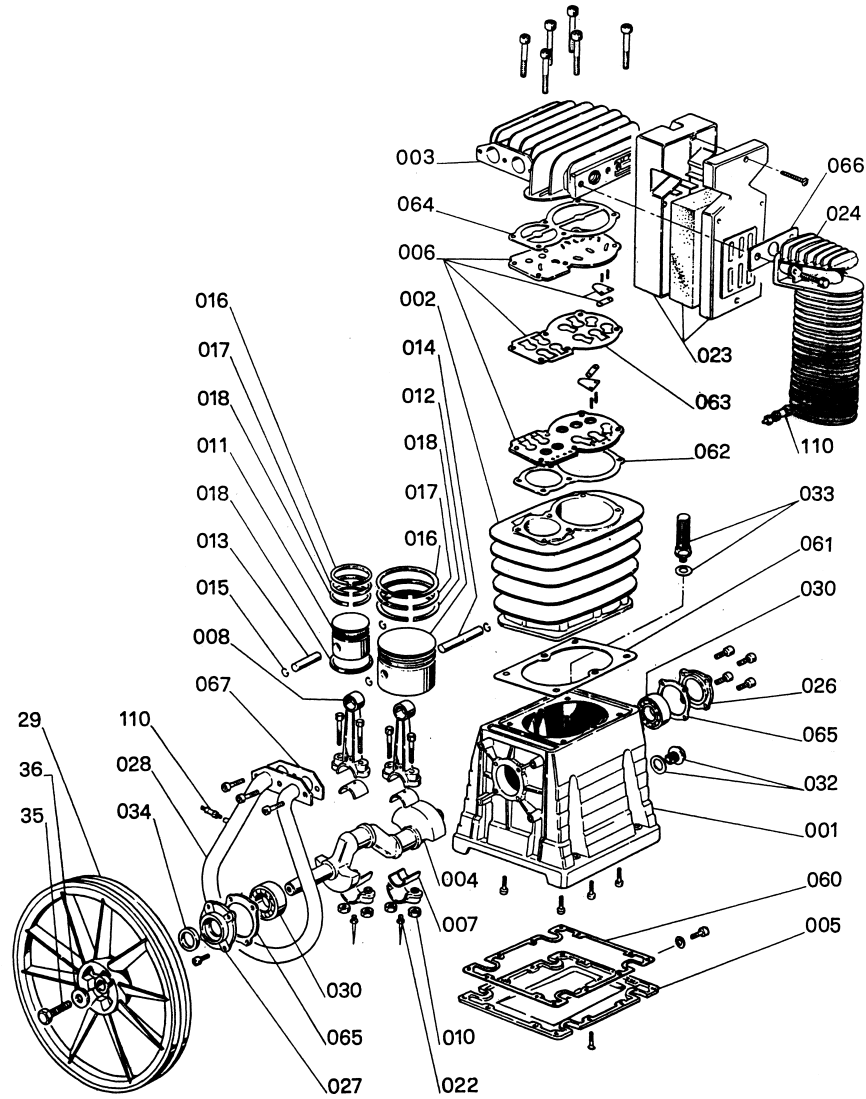
<i>Svc</i>	<i>Ref</i>	<i>Code</i>	<i>Description</i>	<i>Qty</i>	<i>Modified</i>
<input checked="" type="checkbox"/>	000	4950055	Gasket Kit	1	
<input type="checkbox"/>	001	4960100	Crankase	1	
<input type="checkbox"/>	002	4930000	Cylinder	1	
<input type="checkbox"/>	003	4961400	Pump head	1	
<input type="checkbox"/>	004	4961200	Crankshaft	1	
<input type="checkbox"/>	005	4961300	Sump base	1	
<input checked="" type="checkbox"/>	006	4940050	Valve plate assy.	1	
<input type="checkbox"/>	007	9013011	Halfbearing	4	
<input type="checkbox"/>	008	4011100	Connecting rod	2	01.10.1996
<input type="checkbox"/>	008	4011101	Connecting rod	2	
<input type="checkbox"/>	010	9128234	Self locking nut	4	
<input type="checkbox"/>	011	4621100	Piston D. Pin D.	1	
<input type="checkbox"/>	012	4922100	Piston D. Pin D.	1	
<input type="checkbox"/>	013	4621200	Pin	1	
<input type="checkbox"/>	014	4922200	Pin	1	
<input type="checkbox"/>	015	9140050	Circlip	4	
<input type="checkbox"/>	016	9020023	Piston ring AC	1	
<input type="checkbox"/>	016	9020055	Piston ring AC	1	
<input type="checkbox"/>	017	9020056	Piston ring ROS	1	
<input type="checkbox"/>	017	9020053	Piston ring ROS	1	
<input type="checkbox"/>	018	9020057	Piston ring ROF	1	
<input type="checkbox"/>	018	9020086	Piston ring ROF	1	
<input type="checkbox"/>	022	9014003	Oil dipper	2	01.10.1996
<input checked="" type="checkbox"/>	023	2081000	Filter	1	
<input type="checkbox"/>	024	2070100	Aftercooler	1	
<input type="checkbox"/>	026	2060690	Cover N.D.E.	1	
<input type="checkbox"/>	027	2060590	Cover D.E.	1	
<input type="checkbox"/>	028	4662010	Intercooler	1	
<input type="checkbox"/>	028	4662000	Intercooler	1	31.12.1993
<input type="checkbox"/>	029	4000100	Fly wheel	1	
<input type="checkbox"/>	030	9170010	Bearing	2	31.05.1997
<input type="checkbox"/>	030	9170030	Bearing	2	
<input type="checkbox"/>	032	9022001	Oil sight glass	1	
<input type="checkbox"/>	033	9024010	Oil fill plug	1	
<input type="checkbox"/>	034	9163010	Oil seal	1	
<input type="checkbox"/>	035	9110014	Screw	1	
<input type="checkbox"/>	035	9110012	Screw	1	22.10.1996
<input type="checkbox"/>	036	9004008	Fly wheel washer	1	
<input type="checkbox"/>	037	2080100	Filter support	1	
<input type="checkbox"/>	038	9011010	Filter rod	1	
<input type="checkbox"/>	039	9126021	Wing nut	1	
<input type="checkbox"/>	110	9049020	Safety valve	1	

Svc = Service Item

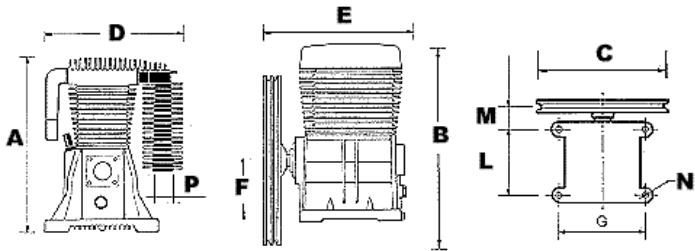
Code:

5300000

B 5900/B



Dimensions:



In mm

A	B	C	D	E	F	G	L	M	N	P
405	489	430	306	344	131	190	170	110	11	1 1/4" F

Box Weight: Kg Box Dimensions: W x D x L: x x

Tightening Torques, Cylinder Head:

Bolt Size:	<input type="text" value="M10"/>	
Min Torque:	<input type="text" value="45.28"/>	Nm
Max Torque:	<input type="text" value="55.34"/>	Nm

Technical Data:

Cylinders:	<input type="text" value="2"/>			
Stages:	<input type="text" value="2"/>			
Air Flow:	<input type="text" value="653"/>	L/m in	<input type="text" value="23,1"/>	cfm
Power:	<input type="text" value="4,1"/>	Kw	<input type="text" value="5,5"/>	HP
Speed:	<input type="text" value="1370"/>	rpm		
Max Pressure:	<input type="text" value="12"/>	Bar	<input type="text" value="174"/>	psi

Code:
B 5900/B

5300000



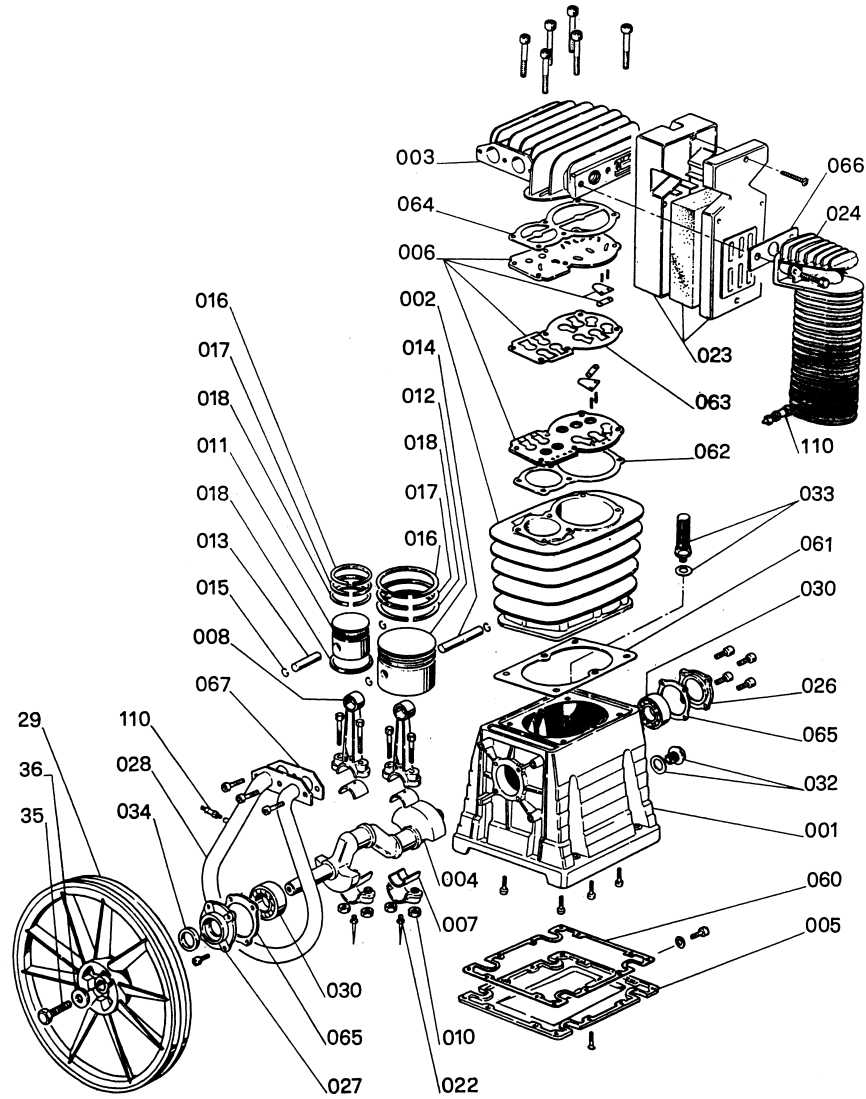
<i>Svc</i>	<i>Ref</i>	<i>Code</i>	<i>Description</i>	<i>Qty</i>	<i>Modified</i>
<input checked="" type="checkbox"/>	000	5350050	Gasket Kit	1	
<input type="checkbox"/>	001	5961100	Crankase	1	30.04.1999
<input type="checkbox"/>	001	5961101	Crankase	1	
<input type="checkbox"/>	002	5930000	Cylinder	1	30.04.1999
<input type="checkbox"/>	002	5930001	Cylinder	1	
<input type="checkbox"/>	003	5361400	Pump head	1	
<input type="checkbox"/>	004	5961200	Crankshaft	1	
<input type="checkbox"/>	005	5961300	Sump base	1	30.04.1999
<input type="checkbox"/>	005	5961301	Sump base	1	
<input type="checkbox"/>	006	5940050	Valve plate assy.	1	06.02.2000
<input checked="" type="checkbox"/>	006	5940051	Valve plate assy.	1	
<input type="checkbox"/>	007	9013013	Halfbearing	4	
<input type="checkbox"/>	008	5011101	Connecting rod	2	
<input type="checkbox"/>	010	9128234	Self locking nut	4	
<input type="checkbox"/>	011	5021100	Piston D. Pin D.	1	
<input type="checkbox"/>	012	5922100	Piston D. Pin D.	1	
<input type="checkbox"/>	013	5021200	Pin	1	
<input type="checkbox"/>	014	5922200	Pin	1	
<input type="checkbox"/>	015	9140050	Circlip	4	
<input type="checkbox"/>	016	9020014	Piston ring AC	1	
<input type="checkbox"/>	016	9020035	Piston ring AC	1	
<input type="checkbox"/>	017	9020047	Piston ring ROS	1	
<input type="checkbox"/>	017	9020044	Piston ring ROS	1	
<input type="checkbox"/>	018	9020074	Piston ring ROF	2	
<input type="checkbox"/>	018	9020065	Piston ring ROF	1	
<input checked="" type="checkbox"/>	023	5281000	Filter	1	
<input type="checkbox"/>	024	5070100	Aftercooler	1	
<input type="checkbox"/>	026	5061690	Cover N.D.E.	1	
<input type="checkbox"/>	027	5061590	Cover D.E.	1	
<input type="checkbox"/>	028	5962020	Intercooler	1	
<input type="checkbox"/>	029	5000100	Flyw heel	1	
<input type="checkbox"/>	030	9170020	Bearing	2	
<input type="checkbox"/>	032	9022003	Oil sight glass	1	
<input type="checkbox"/>	033	9024006	Oil fill plug	1	
<input type="checkbox"/>	034	9163020	Oil seal	1	
<input type="checkbox"/>	035	9110024	Screw	1	
<input type="checkbox"/>	036	9004009	Fly w heel w asher	1	
<input type="checkbox"/>	110	9049011	Safety valve	1	31.08.2000
<input type="checkbox"/>	110	9049020	Safety valve	1	
<input type="checkbox"/>	110	9049032	Safety valve	1	

Svc = Service Item

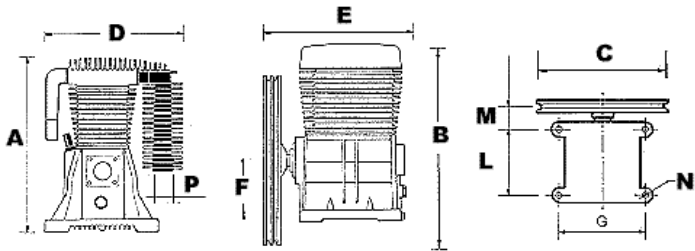
Code:

530000A

B 5900/B



Dimensions:



In mm

A	B	C	D	E	F	G	L	M	N	P
405	489	430	306	344	131	190	170	110	11	1 1/4" F

Box Weight: 22.5 Kg Box Dimensions: W x D x L: 361 x 441 x 527

Tightening Torques, Cylinder Head:

Bolt Size:	M10	
Min Torque:	45.28	Nm
Max Torque:	55.34	Nm

Technical Data:

Cylinders:	2		
Stages:	2		
Air Flow:	653	L/m in	23,1 cfm
Power:	4,1	Kw	5,5 HP
Speed:	1370	rpm	
Max Pressure:	12	Bar	174 psi

Code:
B 5900/B

530000A



<i>Svc</i>	<i>Ref</i>	<i>Code</i>	<i>Description</i>	<i>Qty</i>	<i>Modified</i>
<input checked="" type="checkbox"/>	000	5350050	Gasket Kit	1	
<input type="checkbox"/>	001	5961100	Crankase	1	30.04.1999
<input type="checkbox"/>	001	5961101	Crankase	1	
<input type="checkbox"/>	002	5930000	Cylinder	1	30.04.1999
<input type="checkbox"/>	002	5930001	Cylinder	1	
<input type="checkbox"/>	003	5361400	Pump head	1	
<input type="checkbox"/>	004	5961200	Crankshaft	1	
<input type="checkbox"/>	005	5961300	Sump base	1	30.04.1999
<input type="checkbox"/>	005	5961301	Sump base	1	
<input checked="" type="checkbox"/>	006	5940051	Valve plate assy.	1	
<input type="checkbox"/>	006	5940050	Valve plate assy.	1	06.02.2000
<input type="checkbox"/>	007	9013013	Halfbearing	4	
<input type="checkbox"/>	008	5011101	Connecting rod	2	
<input type="checkbox"/>	010	9128234	Self locking nut	4	
<input type="checkbox"/>	011	5021100	Piston D. Pin D.	1	
<input type="checkbox"/>	012	5922100	Piston D. Pin D.	1	
<input type="checkbox"/>	013	5021200	Pin	1	
<input type="checkbox"/>	014	5922200	Pin	1	
<input type="checkbox"/>	015	9140050	Circlip	4	
<input type="checkbox"/>	016	9020014	Piston ring AC	1	
<input type="checkbox"/>	016	9020035	Piston ring AC	1	
<input type="checkbox"/>	017	9020047	Piston ring ROS	1	
<input type="checkbox"/>	017	9020044	Piston ring ROS	1	
<input type="checkbox"/>	018	9020065	Piston ring ROF	1	
<input type="checkbox"/>	018	9020074	Piston ring ROF	2	
<input checked="" type="checkbox"/>	023	5081000	Filter	1	
<input type="checkbox"/>	024	5070100	Aftercooler	1	
<input type="checkbox"/>	026	5061690	Cover N.D.E.	1	
<input type="checkbox"/>	027	5061590	Cover D.E.	1	
<input type="checkbox"/>	028	5962020	Intercooler	1	
<input type="checkbox"/>	029	5000100	Flyw heel	1	
<input type="checkbox"/>	030	9170020	Bearing	2	
<input type="checkbox"/>	032	9022003	Oil sight glass	1	
<input type="checkbox"/>	033	9024006	Oil fill plug	1	
<input type="checkbox"/>	034	9163020	Oil seal	1	
<input type="checkbox"/>	035	9110024	Screw	1	
<input type="checkbox"/>	036	9004009	Fly w heel w asher	1	
<input type="checkbox"/>	037	5080100	Filter support	1	
<input type="checkbox"/>	038	9011011	Filter rod	1	
<input type="checkbox"/>	039	9126021	Wing nut	1	
<input type="checkbox"/>	110	9049011	Safety valve	1	31.08.2000
<input type="checkbox"/>	110	9049020	Safety valve	1	
<input type="checkbox"/>	110	9049032	Safety valve	1	

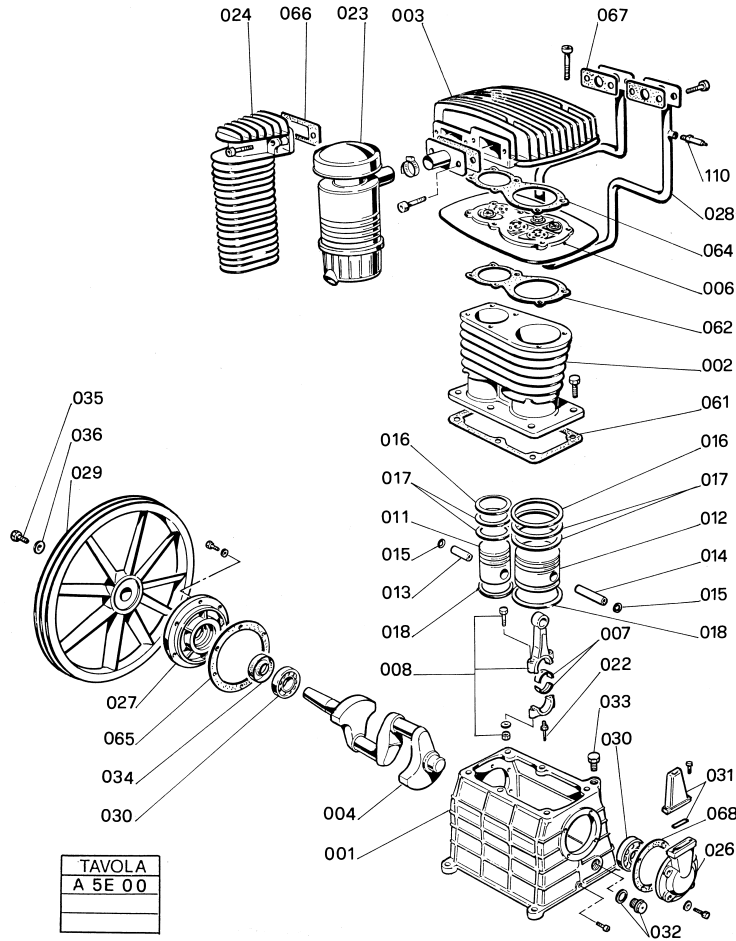
Svc = Service Item

Code: 5E00000

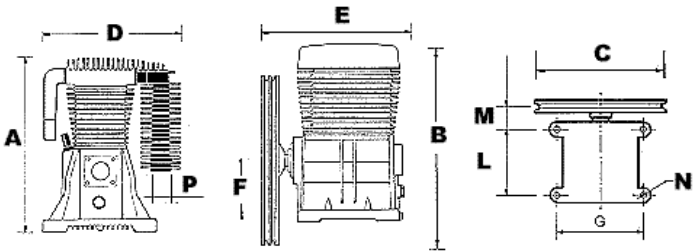
NS 59/S - B 7900/S

GRUPPI COMPRESSORI

NS59S



Dimensions:



In mm

A	B	C	D	E	F	G	L	M	N	P
540	600	430	390	415	160	290	230	110	13	1 1/4" F

Box Weight: Kg Box Dimensions: W x D x L: x x

Tightening Torques, Cylinder Head:

Bolt Size:	<input type="text" value="M12"/>	
Min Torque:	<input type="text" value="77.1"/>	Nm
Max Torque:	<input type="text" value="94.23"/>	Nm

Technical Data:

Cylinders:	<input type="text" value="2"/>	
Stages:	<input type="text" value="2"/>	
Air Flow:	<input type="text" value="1390"/>	L/m in <input type="text" value="49,1"/> cfm
Power:	<input type="text" value="11"/>	Kw <input type="text" value="15"/> HP
Speed:	<input type="text" value="1100"/>	rpm
Max Pressure:	<input type="text" value="12"/>	Bar <input type="text" value="174"/> psi

Code:**5E00000****NS 59/S - B 7900/S**

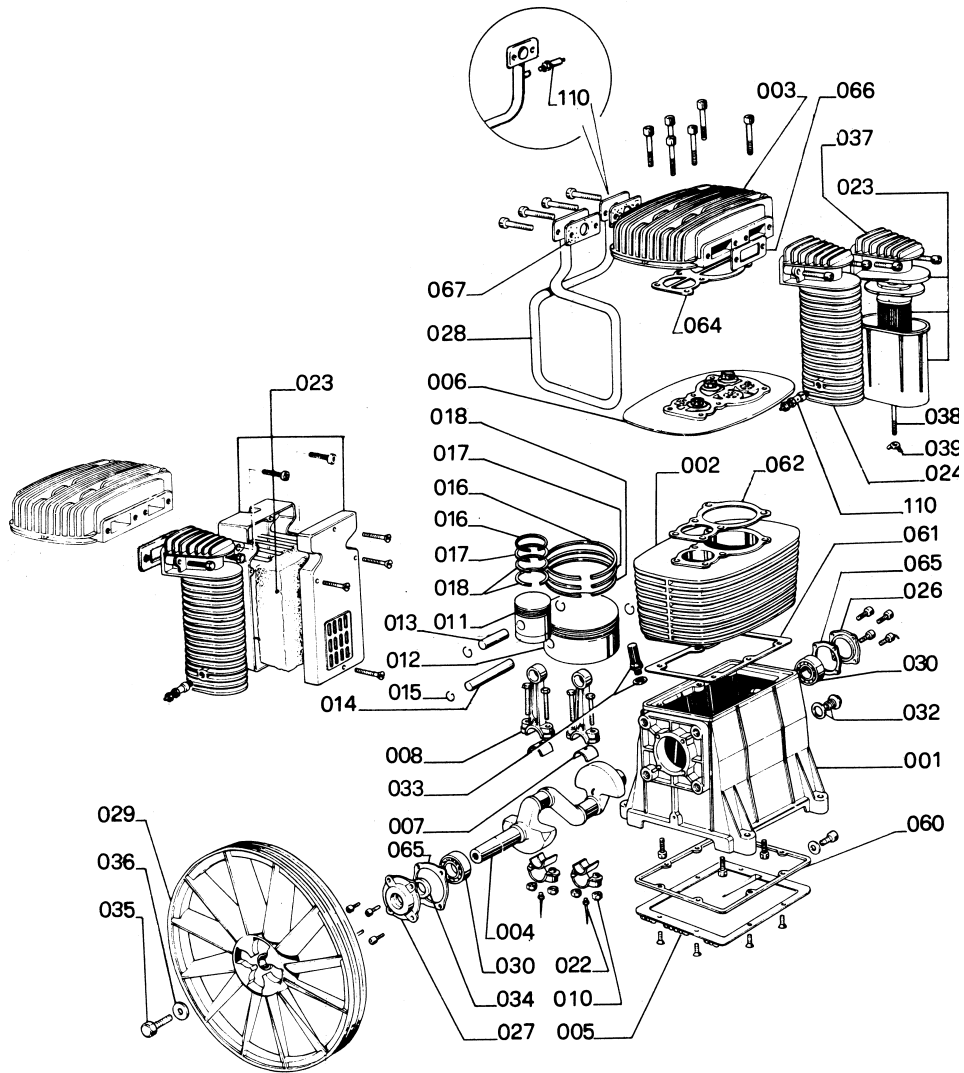
<i>Svc</i>	<i>Ref</i>	<i>Code</i>	<i>Description</i>	<i>Qty</i>	<i>Modified</i>
<input checked="" type="checkbox"/>	000	5E50050	Gasket Kit	1	
<input type="checkbox"/>	001	1000039	Crankase	1	
<input type="checkbox"/>	002	1000967	Cylinder	1	
<input type="checkbox"/>	003	7061400	Pump head	1	
<input type="checkbox"/>	004	5E61200	Crankshaft	1	
<input checked="" type="checkbox"/>	006	7040050	Valve plate assy.	1	
<input type="checkbox"/>	007	1000299	Halfbearing	2	
<input type="checkbox"/>	008	1000043	Connecting rod	2	01.03.1997
<input type="checkbox"/>	008	1013100	Connecting rod	2	
<input type="checkbox"/>	010	9128244	Self locking nut	4	
<input type="checkbox"/>	011	D018001	Piston D. Pin D.	1	
<input type="checkbox"/>	012	1000966	Piston D. Pin D.	1	
<input type="checkbox"/>	013	1000981	Pin	1	
<input type="checkbox"/>	014	1000980	Pin	1	
<input type="checkbox"/>	015	9140140	Circlip	4	
<input type="checkbox"/>	016	1000974	Piston ring AC	1	
<input type="checkbox"/>	016	1000973	Piston ring AC	1	
<input type="checkbox"/>	017	1000976	Piston ring ROS	2	
<input type="checkbox"/>	017	1000975	Piston ring ROS	2	
<input type="checkbox"/>	018	1000977	Piston ring ROF	1	
<input type="checkbox"/>	018	1000978	Piston ring ROF	1	
<input type="checkbox"/>	022	1000022	Oil dipper	2	01.03.1997
<input checked="" type="checkbox"/>	023	7081006	Filter	1	
<input type="checkbox"/>	023	7081004	Filter	1	03.09.2000
<input type="checkbox"/>	023	7081000	Filter	1	31.10.1998
<input type="checkbox"/>	024	5070100	Aftercooler	1	
<input type="checkbox"/>	026	1000487	Cover N.D.E.	1	
<input type="checkbox"/>	027	1000477	Cover D.E.	1	
<input type="checkbox"/>	028	5E62000	Intercooler	1	
<input type="checkbox"/>	029	5000100	Fly wheel	1	
<input type="checkbox"/>	030	1000131	Bearing	1	
<input type="checkbox"/>	030	9170080	Bearing	1	
<input type="checkbox"/>	031	1000112	Bearing	1	
<input type="checkbox"/>	032	9022003	Oil sight glass	1	
<input type="checkbox"/>	033	1000506	Oil fill plug	1	
<input type="checkbox"/>	034	1000332	Oil seal	1	
<input type="checkbox"/>	035	9110024	Screw	1	
<input type="checkbox"/>	035	9110022	Screw	1	12.10.1998
<input type="checkbox"/>	036	9004009	Fly wheel washer	1	
<input type="checkbox"/>	110	9049032	Safety valve	1	
<input type="checkbox"/>	110	9049020	Safety valve	1	
<input type="checkbox"/>	110	9049011	Safety valve	1	31.08.2000

Svc = Service Item

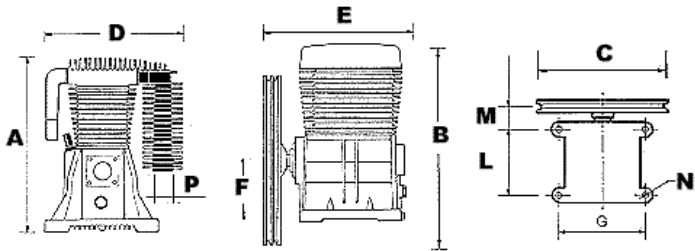
Code:

6200000

B 6000



Dimensions:



In mm

A	B	C	D	E	F	G	L	M	N	P
442	507	430	352	370	150	248	198	79	13	1 1/4" F

Box Weight: 32 Kg Box Dimensions: W x D x L: 391 x 436 x 532

Tightening Torques, Cylinder Head:

Bolt Size:	M10
Min Torque:	45.28 Nm
Max Torque:	55.34 Nm

Technical Data:

Cylinders:	2	
Stages:	2	
Air Flow:	827 L/m in	29,2 cfm
Power:	5,5 Kw	7,5 HP
Speed:	1450 rpm	
Max Pressure:	12 Bar	174 psi

Code:
B 6000

6200000



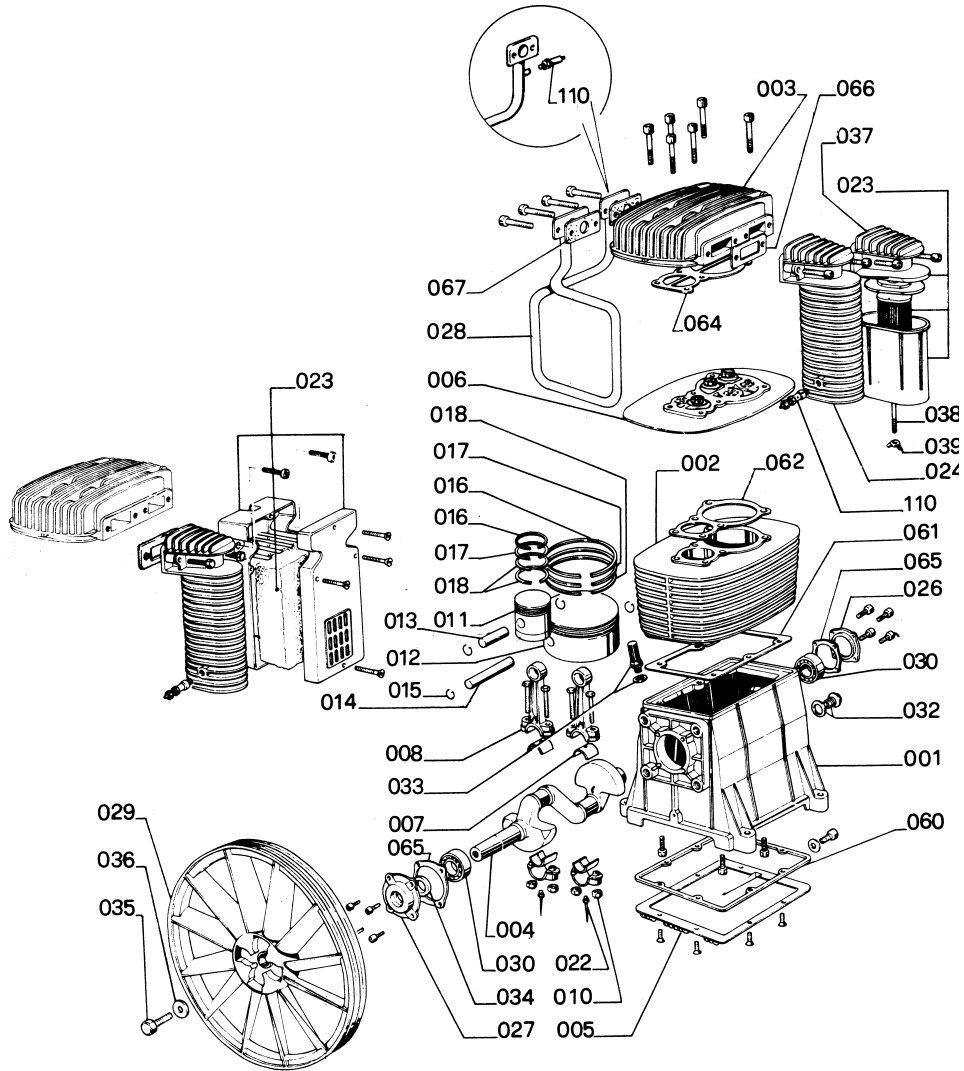
<i>Svc</i>	<i>Ref</i>	<i>Code</i>	<i>Description</i>	<i>Qty</i>	<i>Modified</i>
<input checked="" type="checkbox"/>	000	6050057	Gasket Kit	1	
<input type="checkbox"/>	001	6061100	Crankase	1	30.06.1997
<input type="checkbox"/>	001	6061101	Crankase	1	
<input type="checkbox"/>	002	6030000	Cylinder	1	28.11.1999
<input type="checkbox"/>	002	6330000	Cylinder	1	
<input type="checkbox"/>	003	6061400	Pump head	1	04.06.1998
<input type="checkbox"/>	003	6061401	Pump head	1	
<input type="checkbox"/>	004	6061200	Crankshaft	1	
<input type="checkbox"/>	005	6061300	Sump base	1	30.06.1997
<input type="checkbox"/>	005	6061301	Sump base	1	
<input checked="" type="checkbox"/>	006	6040051	Valve plate assy.	1	
<input type="checkbox"/>	007	9013014	Halfbearing	4	
<input type="checkbox"/>	008	6011101	Connecting rod	2	
<input type="checkbox"/>	010	9128234	Self locking nut	4	
<input type="checkbox"/>	011	6021100	Piston D. Pin D.	1	
<input type="checkbox"/>	012	6022100	Piston D. Pin D.	1	
<input type="checkbox"/>	013	6021200	Pin	1	
<input type="checkbox"/>	014	6022200	Pin	1	
<input type="checkbox"/>	015	9140060	Circlip	4	
<input type="checkbox"/>	016	9020011	Piston ring AC	1	
<input type="checkbox"/>	016	9020016	Piston ring AC	1	
<input type="checkbox"/>	017	9020041	Piston ring ROS	1	
<input type="checkbox"/>	017	9020046	Piston ring ROS	1	
<input type="checkbox"/>	018	9020076	Piston ring ROF	1	
<input type="checkbox"/>	018	9020073	Piston ring ROF	2	
<input checked="" type="checkbox"/>	023	5281000	Filter	1	
<input type="checkbox"/>	024	5070100	Aftercooler	1	
<input type="checkbox"/>	026	5061690	Cover N.D.E.	1	
<input type="checkbox"/>	027	6061590	Cover D.E.	1	
<input type="checkbox"/>	028	5262010	Intercooler	1	
<input type="checkbox"/>	029	5000100	Fly wheel	1	
<input type="checkbox"/>	030	9170020	Bearing	1	
<input type="checkbox"/>	030	9170090	Bearing	1	
<input type="checkbox"/>	032	9022003	Oil sight glass	1	
<input type="checkbox"/>	033	9024006	Oil fill plug	1	
<input type="checkbox"/>	034	9163030	Oil seal	1	
<input type="checkbox"/>	035	9110024	Screw	1	
<input type="checkbox"/>	035	9110022	Screw	1	19.04.1997
<input type="checkbox"/>	036	9004009	Fly wheel washer	1	
<input type="checkbox"/>	110	9049011	Safety valve	1	31.08.2000
<input type="checkbox"/>	110	9049020	Safety valve	1	
<input type="checkbox"/>	110	9049032	Safety valve	1	

Svc = Service Item

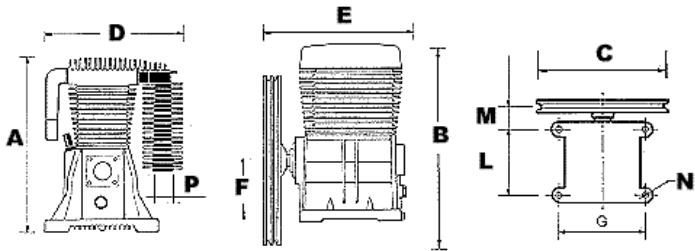
Code:

620000A

B 6000A



Dimensions:



In mm

A	B	C	D	E	F	G	L	M	N	P
442	507	430	352	370	150	248	198	79	13	1 1/4" F

Box Weight: Kg Box Dimensions: W x D x L: x x

Tightening Torques, Cylinder Head:

Bolt Size:	<input type="text" value="M10"/>
Min Torque:	<input type="text" value="45.28"/> Nm
Max Torque:	<input type="text" value="55.34"/> Nm

Technical Data:

Cylinders:	<input type="text" value="2"/>	
Stages:	<input type="text" value="2"/>	
Air Flow:	<input type="text" value="827"/> L/m in	<input type="text" value="29,2"/> cfm
Power:	<input type="text" value="5,5"/> Kw	<input type="text" value="7,5"/> HP
Speed:	<input type="text" value="1450"/> rpm	
Max Pressure:	<input type="text" value="12"/> Bar	<input type="text" value="174"/> psi

Code:
B 6000A

620000A



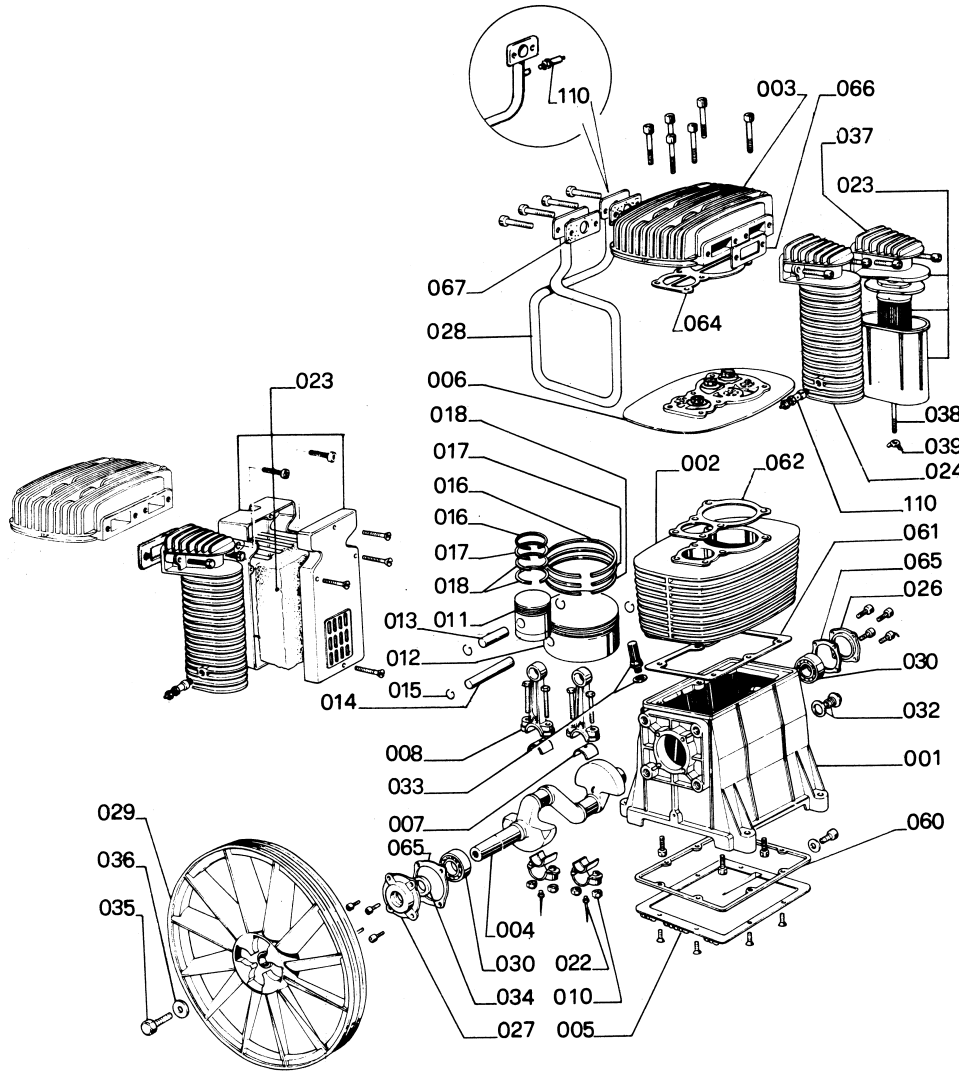
<i>Svc</i>	<i>Ref</i>	<i>Code</i>	<i>Description</i>	<i>Qty</i>	<i>Modified</i>
<input checked="" type="checkbox"/>	000	6050057	Gasket Kit	1	
<input type="checkbox"/>	001	6061100	Crankase	1	30.06.1997
<input type="checkbox"/>	001	6061101	Crankase	1	
<input type="checkbox"/>	002	6030000	Cylinder	1	28.11.1999
<input type="checkbox"/>	002	6330000	Cylinder	1	
<input type="checkbox"/>	003	6061400	Pump head	1	04.06.1998
<input type="checkbox"/>	003	6061401	Pump head	1	
<input type="checkbox"/>	004	6061200	Crankshaft	1	
<input type="checkbox"/>	005	6061300	Sump base	1	30.06.1997
<input type="checkbox"/>	005	6061301	Sump base	1	
<input checked="" type="checkbox"/>	006	6040051	Valve plate assy.	1	
<input type="checkbox"/>	007	9013014	Halfbearing	4	
<input type="checkbox"/>	008	6011101	Connecting rod	2	
<input type="checkbox"/>	010	9128234	Self locking nut	4	
<input type="checkbox"/>	011	6021100	Piston D. Pin D.	1	
<input type="checkbox"/>	012	6022100	Piston D. Pin D.	1	
<input type="checkbox"/>	013	6021200	Pin	1	
<input type="checkbox"/>	014	6022200	Pin	1	
<input type="checkbox"/>	015	9140060	Circlip	4	
<input type="checkbox"/>	016	9020011	Piston ring AC	1	
<input type="checkbox"/>	016	9020016	Piston ring AC	1	
<input type="checkbox"/>	017	9020041	Piston ring ROS	1	
<input type="checkbox"/>	017	9020046	Piston ring ROS	1	
<input type="checkbox"/>	018	9020073	Piston ring ROF	2	
<input type="checkbox"/>	018	9020076	Piston ring ROF	1	
<input checked="" type="checkbox"/>	023	5081000	Filter	1	
<input type="checkbox"/>	024	5070100	Aftercooler	1	
<input type="checkbox"/>	026	5061690	Cover N.D.E.	1	
<input type="checkbox"/>	027	6061590	Cover D.E.	1	
<input type="checkbox"/>	028	5262010	Intercooler	1	
<input type="checkbox"/>	029	5000100	Flyw heel	1	
<input type="checkbox"/>	030	9170020	Bearing	1	
<input type="checkbox"/>	030	9170090	Bearing	1	
<input type="checkbox"/>	032	9022003	Oil sight glass	1	
<input type="checkbox"/>	033	9024006	Oil fill plug	1	
<input type="checkbox"/>	034	9163030	Oil seal	1	
<input type="checkbox"/>	035	9110024	Screw	1	
<input type="checkbox"/>	035	9110022	Screw	1	19.04.1997
<input type="checkbox"/>	036	9004009	Fly w heel w asher	1	
<input type="checkbox"/>	037	5080100	Filter support	1	
<input type="checkbox"/>	038	9011011	Filter rod	1	
<input type="checkbox"/>	039	9126021	Wing nut	1	
<input type="checkbox"/>	110	9049011	Safety valve	1	31.08.2000
<input type="checkbox"/>	110	9049020	Safety valve	1	
<input type="checkbox"/>	110	9049032	Safety valve	1	

Svc = Service Item

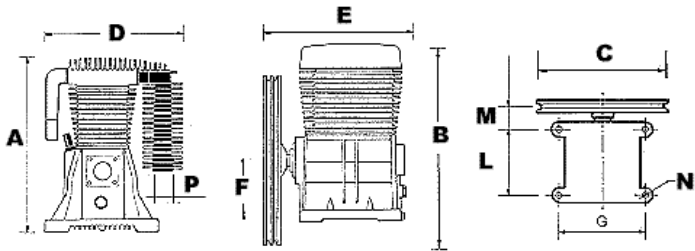
Code:

6300000

NS 39/S



Dimensions:



In mm

A	B	C	D	E	F	G	L	M	N	P
442	507	430	352	370	150	248	198	79	13	1 1/4" F

Box Weight: Kg Box Dimensions: W x D x L: x x

Tightening Torques, Cylinder Head:

Bolt Size:	<input type="text" value="M10"/>	
Min Torque:	<input type="text" value="45.28"/>	Nm
Max Torque:	<input type="text" value="55.34"/>	Nm

Technical Data:

Cylinders:	<input type="text" value="2"/>		
Stages:	<input type="text" value="2"/>		
Air Flow:	<input type="text" value="827"/>	L/m in	<input type="text" value="29,2"/> cfm
Power:	<input type="text" value="5,5"/>	Kw	<input type="text" value="7,5"/> HP
Speed:	<input type="text" value="1450"/>	rpm	
Max Pressure:	<input type="text" value="12"/>	Bar	<input type="text" value="174"/> psi

<i>Svc</i>	<i>Ref</i>	<i>Code</i>	<i>Description</i>	<i>Qty</i>	<i>Modified</i>
<input checked="" type="checkbox"/>	000	6050057	Gasket Kit	1	
<input type="checkbox"/>	001	6061100	Crankase	1	30.06.1997
<input type="checkbox"/>	001	6061101	Crankase	1	
<input type="checkbox"/>	002	6030000	Cylinder	1	28.11.1999
<input type="checkbox"/>	002	6330000	Cylinder	1	
<input type="checkbox"/>	003	6061400	Pump head	1	04.06.1998
<input type="checkbox"/>	003	6061401	Pump head	1	
<input type="checkbox"/>	004	6061200	Crankshaft	1	
<input type="checkbox"/>	005	6061300	Sump base	1	30.06.1997
<input type="checkbox"/>	005	6061301	Sump base	1	
<input checked="" type="checkbox"/>	006	6040051	Valve plate assy.	1	
<input type="checkbox"/>	007	9013014	Halfbearing	4	
<input type="checkbox"/>	008	6011100	Connecting rod	2	01.12.1996
<input type="checkbox"/>	008	6011101	Connecting rod	2	
<input type="checkbox"/>	010	9128234	Self locking nut	4	
<input type="checkbox"/>	011	6021100	Piston D. Pin D.	1	
<input type="checkbox"/>	012	6022100	Piston D. Pin D.	1	
<input type="checkbox"/>	013	6021200	Pin	1	
<input type="checkbox"/>	014	6022200	Pin	1	
<input type="checkbox"/>	015	9140060	Circlip	4	
<input type="checkbox"/>	016	9020011	Piston ring AC	1	
<input type="checkbox"/>	016	9020016	Piston ring AC	1	
<input type="checkbox"/>	017	9020041	Piston ring ROS	1	
<input type="checkbox"/>	017	9020046	Piston ring ROS	1	
<input type="checkbox"/>	018	9020076	Piston ring ROF	1	
<input type="checkbox"/>	018	9020073	Piston ring ROF	2	
<input type="checkbox"/>	022	9014003	Oil dipper	2	01.12.1996
<input checked="" type="checkbox"/>	023	5281000	Filter	1	
<input type="checkbox"/>	024	5070100	Aftercooler	1	
<input type="checkbox"/>	026	5061690	Cover N.D.E.	1	
<input type="checkbox"/>	027	6061590	Cover D.E.	1	
<input type="checkbox"/>	028	5262010	Intercooler	1	
<input type="checkbox"/>	029	5000100	Fly wheel	1	
<input type="checkbox"/>	030	9170090	Bearing	1	
<input type="checkbox"/>	030	9170020	Bearing	1	
<input type="checkbox"/>	032	9022003	Oil sight glass	1	
<input type="checkbox"/>	033	9024006	Oil fill plug	1	
<input type="checkbox"/>	034	9163030	Oil seal	1	
<input type="checkbox"/>	035	9110022	Screw	1	19.04.1997
<input type="checkbox"/>	035	9110024	Screw	1	
<input type="checkbox"/>	036	9004009	Fly wheel washer	1	
<input type="checkbox"/>	110	9049020	Safety valve	1	
<input type="checkbox"/>	110	9049032	Safety valve	1	
<input type="checkbox"/>	110	9049011	Safety valve	1	31.08.2000

Svc = Service Item

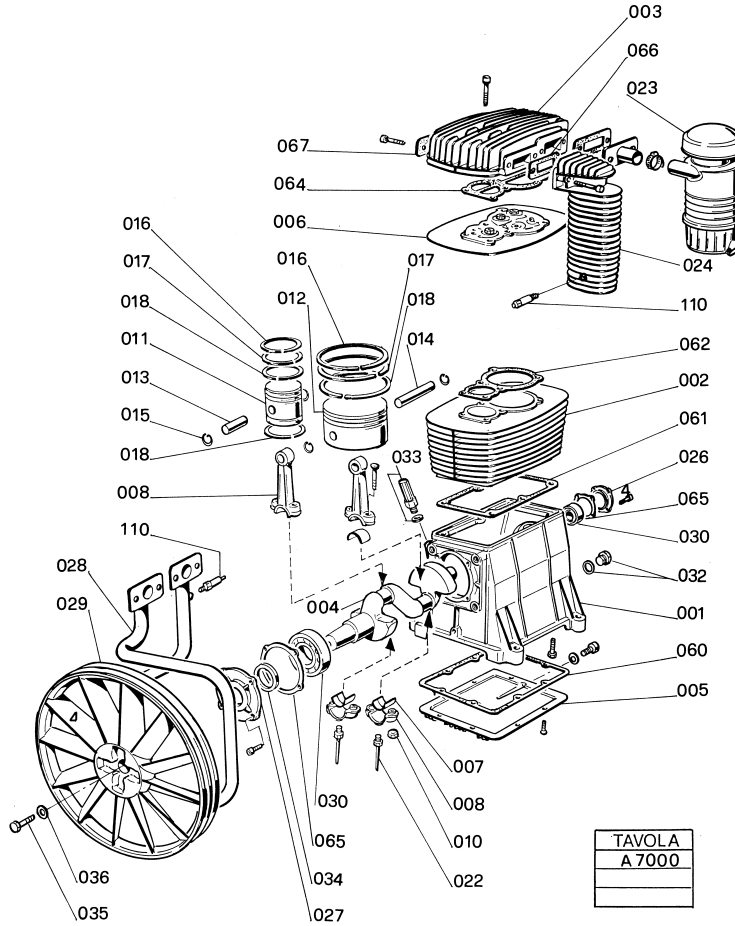
Code:

7000000

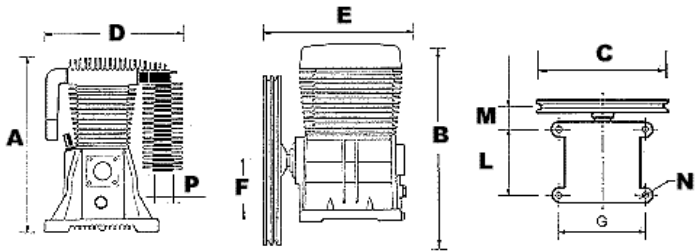
B 7000

GRUPPI COMPRESSORI

B7000



Dimensions:



In mm

A	B	C	D	E	F	G	L	M	N	P
496	564	430	479	428	175	290	240	97	13	1 1/4" F

Box Weight: Kg Box Dimensions: W x D x L: x x

Tightening Torques, Cylinder Head:

Bolt Size:	<input type="text" value="M12"/>	
Min Torque:	<input type="text" value="77.1"/>	Nm
Max Torque:	<input type="text" value="94.23"/>	Nm

Technical Data:

Cylinders:	<input type="text" value="2"/>		
Stages:	<input type="text" value="2"/>		
Air Flow:	<input type="text" value="1210"/>	L/m in	<input type="text" value="42,7"/> cfm
Power:	<input type="text" value="7,4"/>	Kw	<input type="text" value="10"/> HP
Speed:	<input type="text" value="1300"/>	rpm	
Max Pressure:	<input type="text" value="12"/>	Bar	<input type="text" value="174"/> psi

Code:
B 7000

7000000



<i>Svc</i>	<i>Ref</i>	<i>Code</i>	<i>Description</i>	<i>Qty</i>	<i>Modified</i>
<input checked="" type="checkbox"/>	000	7050055	Gasket Kit	1	
<input type="checkbox"/>	001	7061100	Crankase	1	
<input type="checkbox"/>	002	7030000	Cylinder	1	30.04.2000
<input type="checkbox"/>	002	7E30000	Cylinder	1	
<input type="checkbox"/>	002	7E37090	Cylinder	1	
<input type="checkbox"/>	003	7061400	Pump head	1	
<input type="checkbox"/>	004	7061200	Crankshaft	1	
<input type="checkbox"/>	005	7061300	Sump base	1	
<input checked="" type="checkbox"/>	006	7040050	Valve plate assy.	1	
<input type="checkbox"/>	007	9013015	Halfbearing	4	
<input type="checkbox"/>	008	7011101	Connecting rod	2	
<input type="checkbox"/>	010	9128244	Self locking nut	4	
<input type="checkbox"/>	011	7021100	Piston D. Pin D.	1	
<input type="checkbox"/>	012	7022100	Piston D. Pin D.	1	
<input type="checkbox"/>	013	7021200	Pin	1	
<input type="checkbox"/>	014	7022200	Pin	1	
<input type="checkbox"/>	015	9140140	Circlip	4	
<input type="checkbox"/>	016	9020010	Piston ring AC	1	
<input type="checkbox"/>	016	9020018	Piston ring AC	1	
<input type="checkbox"/>	017	9020040	Piston ring ROS	1	
<input type="checkbox"/>	017	9020048	Piston ring ROS	1	
<input type="checkbox"/>	018	9020080	Piston ring ROF	1	
<input type="checkbox"/>	018	9020072	Piston ring ROF	2	
<input checked="" type="checkbox"/>	023	7081006	Filter	1	
<input type="checkbox"/>	023	7081004	Filter	1	03.09.2000
<input type="checkbox"/>	023	7081000	Filter	1	31.10.1998
<input type="checkbox"/>	024	5070100	Aftercooler	1	
<input type="checkbox"/>	026	7061690	Cover N.D.E.	1	
<input type="checkbox"/>	027	7061590	Cover D.E.	1	
<input type="checkbox"/>	028	7062010	Intercooler	1	
<input type="checkbox"/>	029	5000100	Flyw heel	1	
<input type="checkbox"/>	030	9170070	Bearing	1	
<input type="checkbox"/>	030	9170080	Bearing	1	
<input type="checkbox"/>	032	9022003	Oil sight glass	1	
<input type="checkbox"/>	033	9024004	Oil fill plug	1	
<input type="checkbox"/>	034	9163050	Oil seal	1	
<input type="checkbox"/>	035	9110022	Screw	1	19.04.1997
<input type="checkbox"/>	035	9110024	Screw	1	
<input type="checkbox"/>	036	9004009	Fly w heel w asher	1	
<input type="checkbox"/>	110	9049020	Safety valve	1	
<input type="checkbox"/>	110	9049011	Safety valve	1	31.08.2000
<input type="checkbox"/>	110	9049032	Safety valve	1	

Svc = Service Item